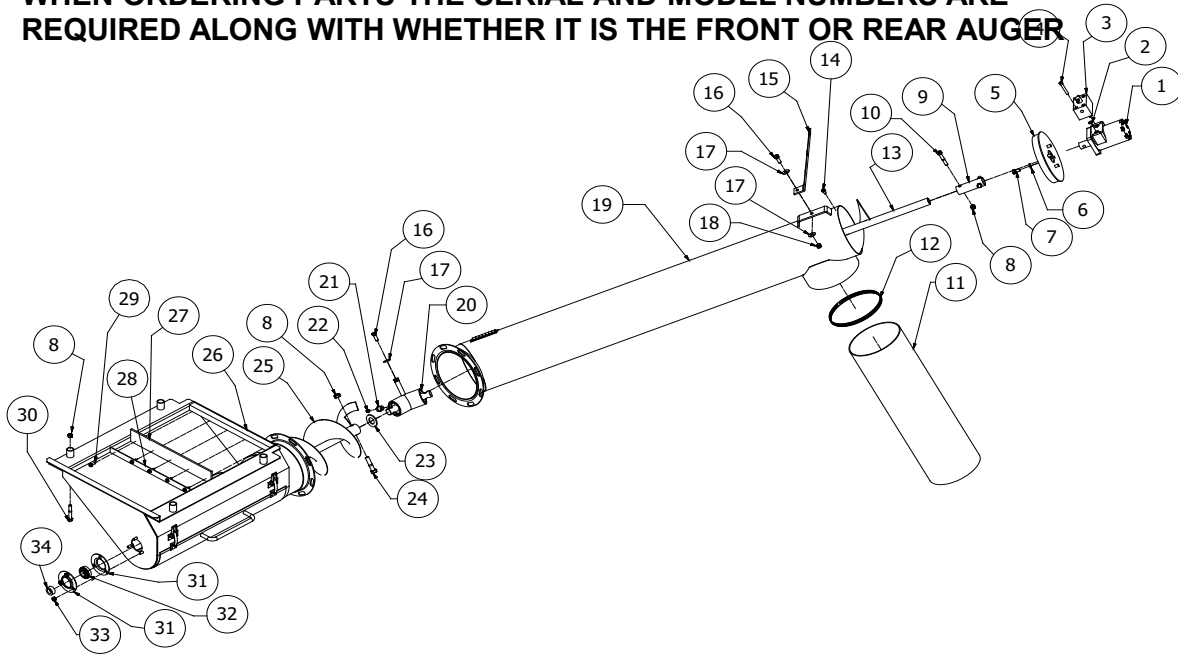


8" STEEL HOPPER AUGER

REF #	PART #	DESCRIPTION	UOM
1	0146-00015	NU-STAR 5.9 cu in. Hydraulic Motor (8" & 10" Augers) Model # BMRS-100P97C1Y19	EACH
2	0146-300007	"O" Rings for EATON/Nu Starr HYD Motors	EACH
3	0003-010006	C - Manual Flow Control Block Assembled	EACH
4	0106-000015	5/16"-18 x 2" - Socket Cap Screw - BARE	EACH
5	0003-010001	8" STEEL Motor Mount Assembly	EACH
6	0101-001202	3/8" - Split Lock Washer - ZINC	EACH
7	0105-000201	3/8"-16 x 3/4" GR5 - Hex Cap Screw - Full Thread - ZINC	EACH
8	0100-001104	1/2"-13 GR2 - Nylon Lock Nut - ZINC	EACH
9	0003-010002	Motor Joiner	EACH
10	0105-000207	3/8"-16 x 2-1/4" GR5 - Hex Cap Screw	EACH
11	0003-010141	Down Spout c/w Spout Clamp and Tarp Strap for 8" Auger	EACH
12	0112-003010	Hose Clamp - 12" Diameter (Swing Auger)	EACH
N/A	0111-000202	15" Snappi Hookers w/ S Hooks	EACH
13	0003-010110	8" Top Core and Flighting Ass.	EACH
14	0105-000001	1/4"-20 x 1/2" GR5 - Hex Cap Screw	EACH
15	0003-010003	Centre Hanging Bracket Painted	EACH
16	0105-000202	3/8"-16 x 1" GR5 - Hex Cap Screw - Full Thread - ZINC	EACH
17	0101-001002	3/8" USS - Flat Washer - ZINC	EACH
18	0100-001002	3/8"-16 GR2 - Hex Nut - ZINC	EACH
19	0003-010140	8" STEEL Auger Top Tube - Only	EACH
20	0003-010004	C- 35, 50, 70, 80 Degree 8" Gear Box Assembly - Steel FRONT or REAR 3/4" or 1"	EACH
21	0003-010036	3/8" UNC to 1/8" NPT Adapter	EACH
22	0146-300001	1/8" NPT Grease Fitting	EACH
23	0101-001107	1" SAE - Flat Washer - ZINC	EACH
24	0109-000407	1/2"-13 x 2-1/2" L9 - Hex Cap Screw - YZ	EACH
25	0003-010120	8" Bottom Core And Flighting Assembly	EACH
26	0003-010130	C - 8" STEEL Hopper Bottom Shell ONLY	EACH
N/A	0003-010135	Bottom Door Seal - 1/8"x1/2" Foam Tape	EACH
27	0003-010133	Rubber Sweep	EA
28	0003-010134	Rubber Sweep Plate	EA
29	0106-000005	1/4" x 1" - HWH w/ Washer - Self Drilling Screw (install)	EACH
30	0105-000208	3/8"-16 x 2-1/2" GR5 - Hex Cap Screw - ZINC	EACH
31	0115-001002	47MS OSL Flangettes Plated	EACH
32	0115-000004	SA204-12G Self Aligning Bearing c/w locking Collar - 3/4" Bore for Augers	EACH
33	0100-001001	5/16"-18 GR2 - Hex Nut - ZINC	EACH
1-23	0003-010102	C - 8" Steel Top Tube **Assembly** "MFC"	EACH
26-34	0003-010139	C - 8" Steel Hopper Bottom c/w Hardware	EACH

WHEN ORDERING PARTS THE SERIAL AND MODEL NUMBERS ARE REQUIRED ALONG WITH WHETHER IT IS THE FRONT OR REAR AUGER



8" STEEL WILSON AUGERS

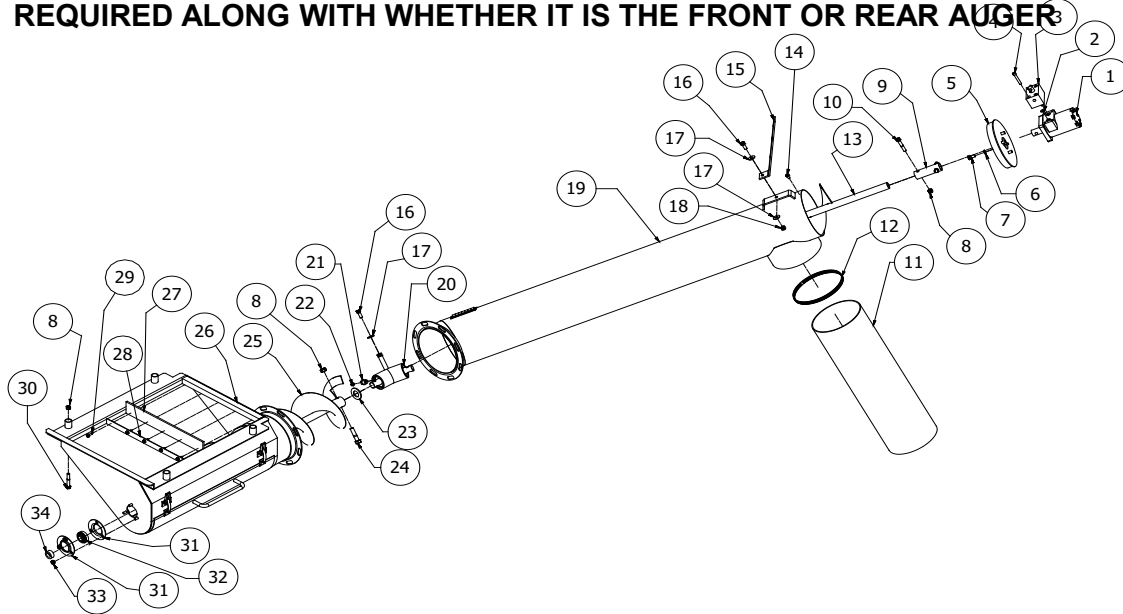
N/A	0003-010139WS	C - 8" Front Steel Hopper Bottom Ass - Strap Chute	EACH
N/A	0003-010539WS	C - 8" Rear Steel Hopper Bottom Ass - Strap Chute	EACH
N/A	0003-010139WR	C - 8" Front Steel Hopper Bottom Ass - Rack & Pinion	EACH
N/A	0003-010539WR	C - 8" Rear Steel Hopper Bottom Ass - Rack & Pinion	EACH

**FOR BOTTOM EXTENSIONS AND HD BOTTOM CORE AND FLIGHTING GO TO PAGE 3
HD BOTTOM CORE AND FLIGHTING USES 1" BEARING INSTEAD OF A 3/4" BEARING (REF#31&32&34)**

8" ALUMINUM HOPPER AUGER

REF #	PART #	DESCRIPTION	UOM
1	0146-00015	NU-STAR 5.9 cu in. Hydraulic Motor (8" & 10" Augers) Model # BMRS-100P97C1Y19	EACH
2	0146-300007	"O" Rings for EATON/Nu Starr HYD Motors	EACH
3	0003-010006	C - Manual Flow Control Block Assembled	EACH
4	0106-000015	5/16"-18 x 2" - Socket Cap Screw - BARE	EACH
5	0003-060001	8" Aluminum Motor Mount	EA
6	0101-001202	3/8" - Split Lock Washer - ZINC	EACH
7	0105-000201	3/8"-16 x 3/4" GR5 - Hex Cap Screw - Full Thread - ZINC	EACH
8	0100-001104	1/2"-13 GR2 - Nylon Lock Nut - ZINC	EACH
9	0003-010002	Motor Joiner	EACH
10	0105-000207	3/8"-16 x 2-1/4" GR5 - Hex Cap Screw	EACH
11	0003-010141	Down Spout c/w Spout Clamp and Tarp Strap for 8" Auger	EACH
12	0112-003006	8" Hose Clamps USE Part# 0112-003010	EACH
N/A	0111-000202	15" Snappi Hookers w/ S Hooks	EACH
13	0003-010110	8" Top Core and Flighting Ass.	EACH
14	0105-000001	1/4"-20 x 1/2" GR5 - Hex Cap Screw	EACH
15	0003-010003	Centre Hanging Bracket Painted	EACH
16	0105-000202	3/8"-16 x 1" GR5 - Hex Cap Screw - Full Thread - ZINC	EACH
17	0101-001002	3/8" USS - Flat Washer - ZINC	EACH
18	0100-001002	3/8"-16 GR2 - Hex Nut - ZINC	EACH
19	0003-060140	8" ALUMINUM Auger Top Tube - Only	EA
20	0003-060004	C - 35, 50, 70, 80 8" Gear Box Assembly - ALUMINUM FRONT or REAR 3/4" or 1"	EA
21	0003-010036	3/8" UNC to 1/8" NPT Adapter	EACH
22	0146-300001	1/8" NPT Grease Fitting	EACH
23	0101-001107	1" SAE - Flat Washer - ZINC	EACH
24	0109-000407	1/2"-13 x 2-1/2" L9 - Hex Cap Screw - YZ	EACH
25	0003-010120	8" Bottom Core And Flighting Assembly	EACH
26	0003-060130	C - 8" ALUMINUM Hopper Bottom Shell Only	EA
N/A	0003-010135	Bottom Door Seal - 1/8"x1/2" Foam Tape	EACH
27	0003-010133	Rubber Sweep	EA
28	0003-010134	Rubber Sweep Plate	EA
29	0106-000005	1/4" x 1" - HWH w/ Washer - Self Drilling Screw (install)	EACH
30	0105-000208	3/8"-16 x 2-1/2" GR5 - Hex Cap Screw - ZINC	EACH
31	0115-001002	47MS OSL Flangettes Plated	EACH
32	0115-000004	SA204-12G Self Aligning Bearing c/w locking Collar - 3/4" Bore for Augers	EACH
33	0100-001001	5/16"-18 GR2 - Hex Nut - ZINC	EACH
1-23	0003-060102	C - 8" Aluminum Top Tube **Assembly** (MFC)	EA
26-34	0003-060139	C - 8" Aluminum Hopper Bottom c/w Hardware	EA

WHEN ORDERING PARTS THE SERIAL AND MODEL NUMBERS ARE REQUIRED ALONG WITH WHETHER IT IS THE FRONT OR REAR AUGER



8" ALUMINUM WILSON AUGERS

N/A	0003-060139WS	C - 8" ALUMINUM Wilson FRONT Hopper Bottom Ass - Strap Chute	EA
N/A	0003-060539WS	C - 8" ALUMINUM Wilson Rear Hopper Bottom Ass - Strap Chute	EA
N/A	0003-060139WR	C - 8" ALUMINUM Wilson FRONT Hopper Bottom Ass - R & P	EA
N/A	0003-060539WR	C - 8" ALUMINUM Wilson REAR Hopper Bottom Ass - R & P	EA

**FOR BOTTOM EXTENSIONS AND HD BOTTOM CORE AND FLIGHTING GO TO PAGE 3
HD BOTTOM CORE AND FLIGHTING USES 1" BEARING INSTEAD OF A 3/4" BEARING (REF#31&32&34)**

8" HOPPER AUGERS WITH EXTENSIONS

1	0100-001104	1/2"-13 GR2 - Nylon Lock Nut - ZINC	EACH
2	0101-001107	1" SAE - Flat Washer - ZINC	EACH
3	0100-001002	3/8"-16 GR2 - Hex Nut - ZINC	EACH
4	0101-001002	3/8" USS - Flat Washer - ZINC	EACH
5	0109-000407	1/2"-13 x 2-1/2" L9 - Hex Cap Screw - YZ	EACH
6	0105-000202	3/8"-16 x 1" GR5 - Hex Cap Screw - Full Thread - ZINC	EACH

8" STEEL EXTENSIONS

7	0003-010012	8" - 12" Auger Extension Tube - Steel	EACH
N/A	0003-010018	8" - 18" Auger Extension - Painted Steel	EACH
N/A	0003-010024	8" - 24" Auger Extension Tube - Steel	EACH

8" ALUMINUM EXTENSIONS

7	0003-060012	8" - 12" ALUMINUM Auger Extension Tube	EA
N/A	0003-060018	8" - 18" ALUMINUM Auger Extension	EA
N/A	0003-060024	8" - 24" ALUMINUM Auger Extension Tube c/w - Angled rings welded on & Insp door	EA

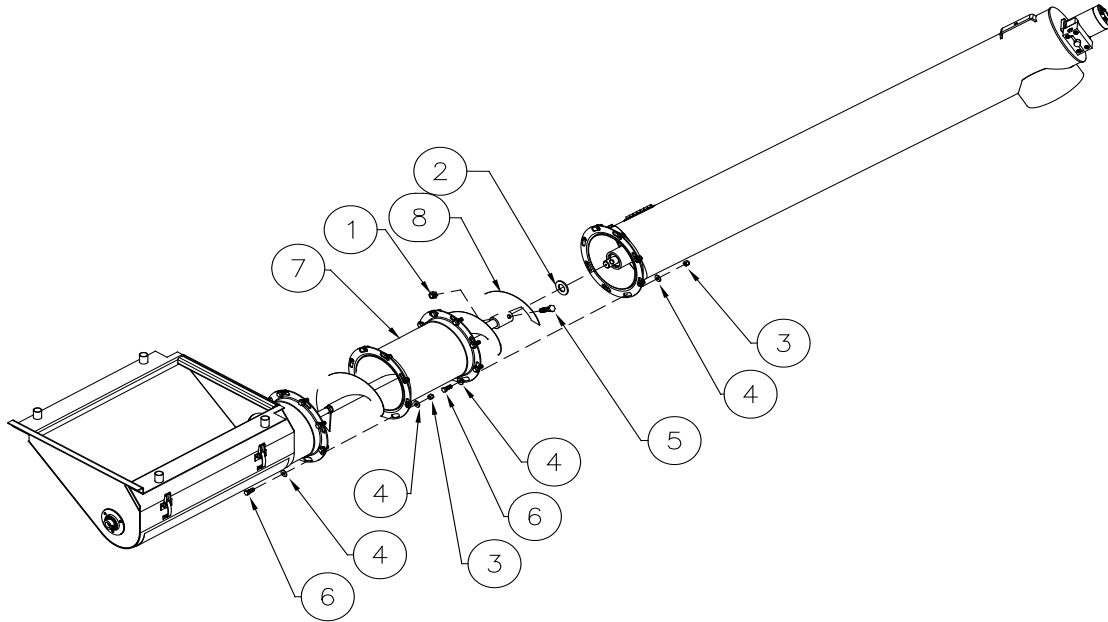
8" BOTTOM CORE & FLIGHTING

8	0003-010122	8" - 12" Extension Bottom Core & Flighting Assembly	EACH
N/A	0003-010123	8" - 18" Extension Bottom Core & Flighting Assembly	EACH
N/A	0003-010124	8" - 24" Extension Bottom Core & Flighting Assembly	EACH

8" BOTTOM CORE & FLIGHTING OVER 60" LONG

N/A	0003-040120	8" HD - BOTTOM FRONT CORE/RH FLIGHTING ASSEMBLY	EA
N/A	0115-001005	52MM3 Flangettes - 3 Hole - Plated (SOLD AS EACH)	EACH
N/A	0115-000006	SA205-16 Bearing	EACH

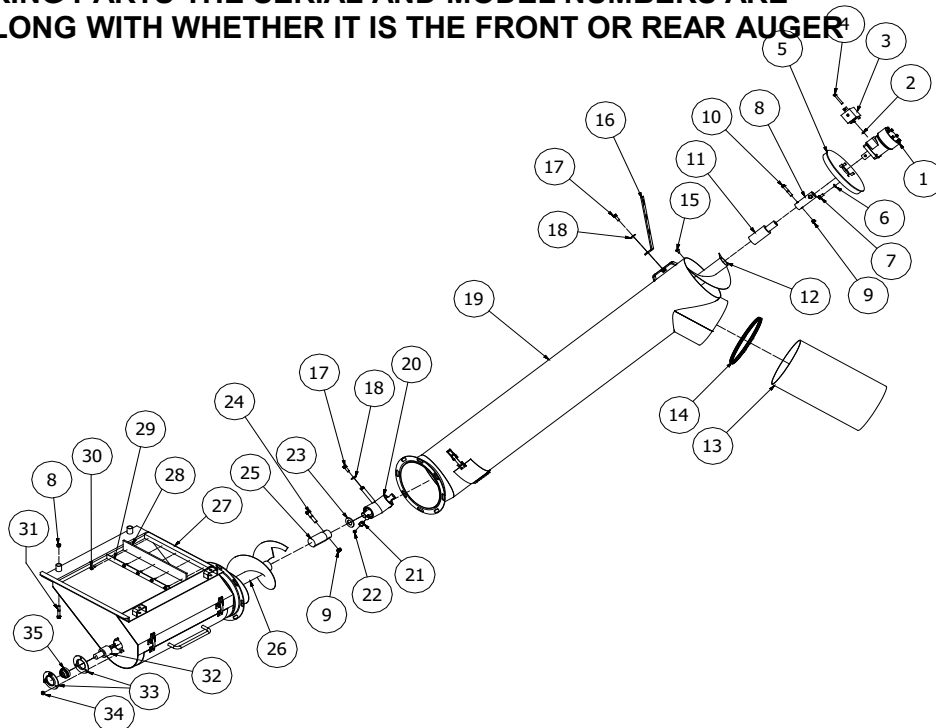
WHEN ORDERING PARTS THE SERIAL AND MODEL NUMBERS ARE REQUIRED ALONG WITH WHETHER IT IS THE FRONT OR REAR AUGER



10" STEEL HOPPER AUGER

REF #	PART #	DESCRIPTION	UOM
1	0146-000015	NU-STAR 5.9 cu in. Hydraulic Motor (8" & 10" Augers) Model # BMRS-100P97C1Y19	EACH
2	0146-300007	"O" Rings for EATON/Nu Starr HYD Motors	EACH
3	0003-010006	C - Manual Flow Control Block Assembled	EACH
4	0106-000015	5/16"-18 x 2" - Socket Cap Screw - BARE	EACH
5	0003-510001	10" Steel Motor Mount	EACH
6	0101-001202	3/8" - Split Lock Washer - ZINC	EACH
7	0105-000201	3/8"-16 x 3/4" GR5 - Hex Cap Screw - Full Thread - ZINC	EACH
8	0003-010002	Motor Joiner	EACH
9	0100-001104	1/2"-13 GR2 - Nylon Lock Nut - ZINC	EACH
10	0105-000207	3/8"-16 x 2-1/4" GR5 - Hex Cap Screw	EACH
11	0161-504007	Motor Bushing - 10" Auger - Bare	EACH
12	0003-510110	10" TOP CORE FLIGHTING ASSEMBLY	EACH
13	0003-510141	10" Hopper Auger Down Spout c/w Clamp and Tarp Strap	EACH
14	0112-003010	Hose Clamp - 12" Diameter (Swing Auger)	EACH
N/A	0111-000203	20" Snappi Hookers w/ S Hooks	EACH
15	0105-000001	1/4"-20 x 1/2" GR5 - Hex Cap Screw	EACH
16	0003-010003	Centre Hanging Bracket Painted	EACH
17	0105-000202	3/8"-16 x 1" GR5 - Hex Cap Screw - Full Thread - ZINC	EACH
18	0101-001002	3/8" USS - Flat Washer - ZINC	EACH
19	0003-510140	10" Auger Tube Only - STEEL	EACH
20	0003-510004	C- Degree ? 10" Gear Box Assembly FRONT or REAR 3/4" or 1" STEEL or ALUMINUM	EACH
21	0003-010036	3/8" UNC to 1/8" NPT Adapter	EACH
22	0146-300001	1/8" NPT Grease Fitting	EACH
23	0101-001107	1" SAE - Flat Washer - ZINC	EACH
24	0109-000407	1/2"-13 x 2-1/2" L9 - Hex Cap Screw - YZ	EACH
25	0161-504006	10" Flighting Bushing - Bare	EACH
26	0003-510120	10" BOTTOM CORE FLIGHTING ASSEMBLY	EACH
27	0003-510130	C - 10" Hopper Shell Only - STEEL	EACH
N/A	0003-010135	Bottom Door Seal - 1/8"x1/2" Foam Tape	EACH
28	0003-010133	Rubber Sweep	EA
29	0003-010134	Rubber Sweep Plate	EA
30	0106-000005	1/4" x 1" - HWH w/ Washer - Self Drilling Screw (install)	EACH
31	0105-000208	3/8"-16 x 2-1/2" GR5 - Hex Cap Screw - ZINC	EACH
32	0161-504008	Bearing Shaft - 10" Auger - Chrome Plated	EACH
33	0115-001005	52MM3 Flangettes - 3 Hole - Plated (SOLD AS EACH)	EACH
34	0100-001001	5/16"-18 GR2 - Hex Nut - ZINC	EACH
35	0115-000006	SA205-16 Bearing	EACH
1-23	0003-510102	C - 10" Auger Top Tube **Assembly** - STEEL	EACH
27-35	0003-510139	C - 10" Hopper Bottom **Assembly** STEEL	EACH

WHEN ORDERING PARTS THE SERIAL AND MODEL NUMBERS ARE REQUIRED ALONG WITH WHETHER IT IS THE FRONT OR REAR AUGER

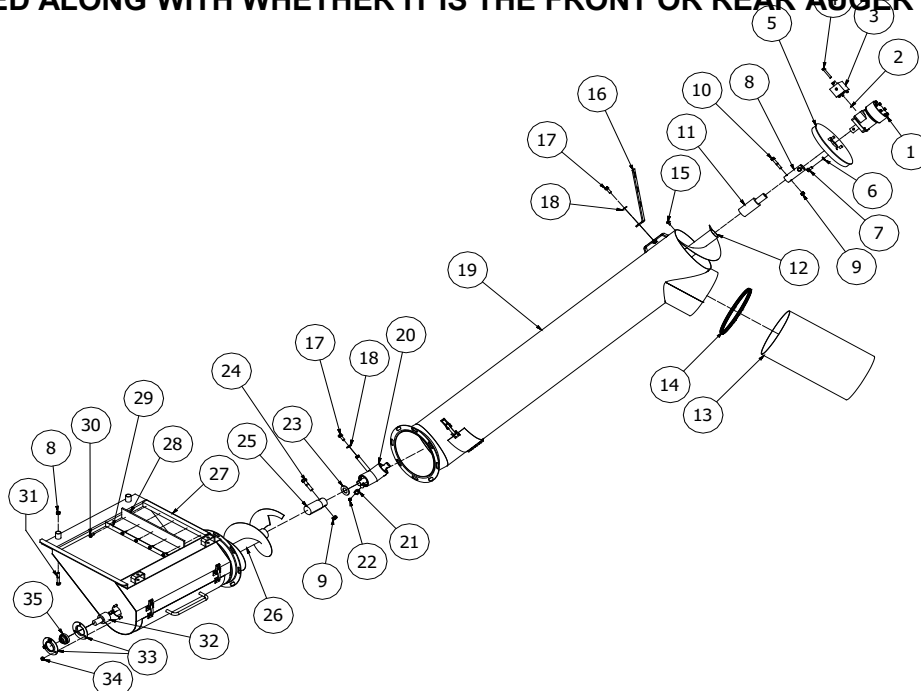


FOR BOTTOM EXTENSIONS AND BOTTOM CORE AND FLIGHTING GO TO PAGE 7

10" ALUMINUM HOPPER AUGER

REF #	PART #	DESCRIPTION	UOM
1	0146-00015	NU-STAR 5.9 cu in. Hydraulic Motor (8" & 10" Augers) Model # BMRS-100P97C1Y19	EACH
2	0146-300007	"O" Rings for EATON/Nu Starr HYD Motors	EACH
3	0003-010006	C - Manual Flow Control Block Assembled	EACH
4	0106-000015	5/16"-18 x 2" - Socket Cap Screw - BARE	EACH
5	0003-560001	ALUMINUM 10" Motor Mount	EA
6	0101-001202	3/8" - Split Lock Washer - ZINC	EACH
7	0105-000201	3/8"-16 x 3/4" GR5 - Hex Cap Screw - Full Thread - ZINC	EACH
8	0003-010002	Motor Joiner	EACH
9	0100-001104	1/2"-13 GR2 - Nylon Lock Nut - ZINC	EACH
10	0105-000207	3/8"-16 x 2-1/4" GR5 - Hex Cap Screw	EACH
11	0161-504007	Motor Bushing - 10" Auger - Bare	EACH
12	0003-510110	10" TOP CORE FLIGHTING ASSEMBLY	EACH
13	0003-510141	10" Hopper Auger Down Spout c/w Clamp and Tarp Strap	EACH
14	0112-500000B	10" Hose Clamps- Use Part# 0112-003010	EACH
N/A	0111-000203	20" Snappi Hookers w/ S Hooks	EACH
15	0105-000001	1/4"-20 x 1/2" GR5 - Hex Cap Screw	EACH
16	0003-010003	Centre Hanging Bracket Painted	EACH
17	0105-000202	3/8"-16 x 1" GR5 - Hex Cap Screw - Full Thread - ZINC	EACH
18	0101-001002	3/8" USS - Flat Washer - ZINC	EACH
19	0003-560140	ALUMINUM 10" Auger Tube Only	EA
20	0003-560004	C - Degree ? 10" ALUMINUM Gear Box Assembly Front or Rear 3/4" or 1"	EA
21	0003-010036	3/8" UNC to 1/8" NPT Adapter	EACH
22	0146-300001	1/8" NPT Grease Fitting	EACH
23	0101-001107	1" SAE - Flat Washer - ZINC	EACH
24	0109-000407	1/2"-13 x 2-1/2" L9 - Hex Cap Screw - YZ	EACH
25	0161-504006	10" Flighting Bushing - Bare	EACH
26	0003-510120	10" BOTTOM CORE FLIGHTING ASSEMBLY	EACH
27	0003-560130	C - ALUMINUM 10" Hopper Bottom Shell Only	EA
N/A	0003-010135	Bottom Door Seal - 1/8"x1/2" Foam Tape	EACH
28	0003-010133	Rubber Sweep	EA
29	0003-010134	Rubber Sweep Plate	EA
30	0106-000005	1/4" x 1" - HWH w/ Washer - Self Drilling Screw (install)	EACH
31	0105-000208	3/8"-16 x 2-1/2" GR5 - Hex Cap Screw - ZINC	EACH
32	0161-504008	Bearing Shaft - 10" Auger - Chrome Plated	EACH
33	0115-001005	52MM3 Flangettes - 3 Hole - Plated (SOLD AS EACH)	EACH
34	0100-001001	5/16"-18 GR2 - Hex Nut - ZINC	EACH
35	0115-000006	SA205-16 Bearing	EACH
1-23	0003-560102	C - ALUMINUM 10" Top Auger **Assembly**	EA
27-35	0003-560139	C - ALUMINUM 10" Hopper Bottom **Assembly**	EA

WHEN ORDERING PARTS THE SERIAL AND MODEL NUMBERS ARE REQUIRED ALONG WITH WHETHER IT IS THE FRONT OR REAR AUGER



FOR BOTTOM EXTENSIONS AND BOTTOM CORE AND FLIGHTING GO TO PAGE 7

10" HOPPER AUGERS WITH EXTENSIONS

1	0100-001104	1/2"-13 GR2 - Nylon Lock Nut - ZINC	EACH
2	0101-001107	1" SAE - Flat Washer - ZINC	EACH
3	0100-001002	3/8"-16 GR2 - Hex Nut - ZINC	EACH
4	0101-001002	3/8" USS - Flat Washer - ZINC	EACH
5	0109-000407	1/2"-13 x 2-1/2" L9 - Hex Cap Screw - YZ	EACH
6	0105-000202	3/8"-16 x 1" GR5 - Hex Cap Screw - Full Thread - ZINC	EACH

10" STEEL EXTENSIONS

7	0003-510012	10" - 12" Auger Extension Tube - STEEL	EACH
N/A	0003-510018	10" - 18" Auger Extension tube - STEEL	EACH
N/A	0003-510024	10" - 24" Auger Extension Tube - STEEL	EACH

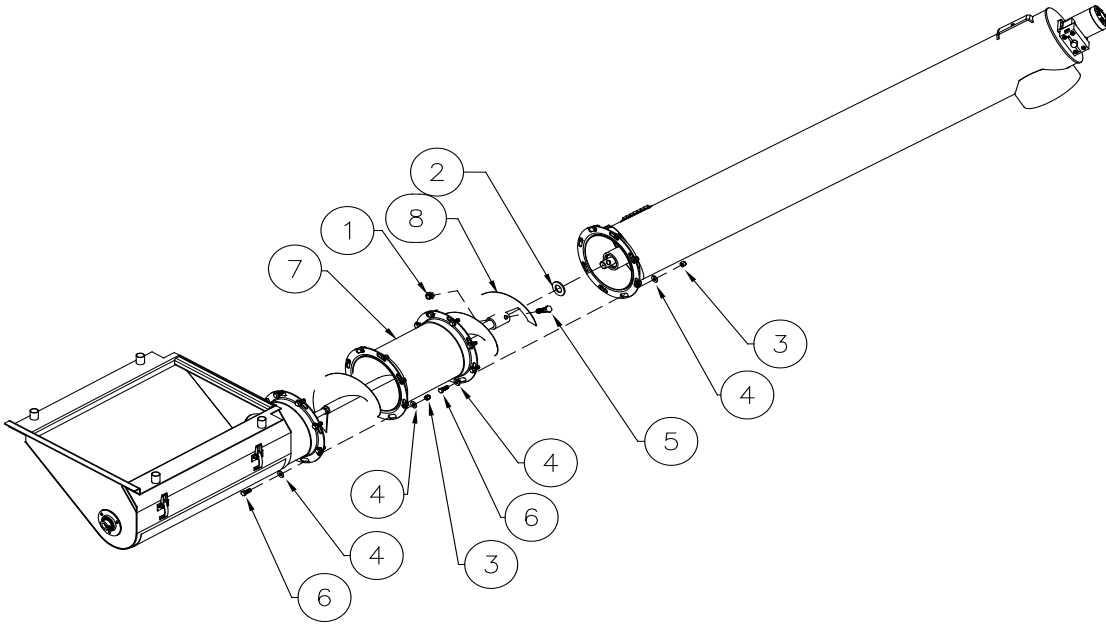
10" ALUMINUM EXTENSIONS

7	0003-560012	ALUMINUM 10" - 12" Auger Extension Tube	EA
N/A	0003-560018	ALUMINUM 10" - 18" Auger Extension Tube	EA
N/A	0003-560024	ALUMINUM 10" - 24" Auger Extension Tube	EA

10" BOTTOM CORE & FLIGHTING

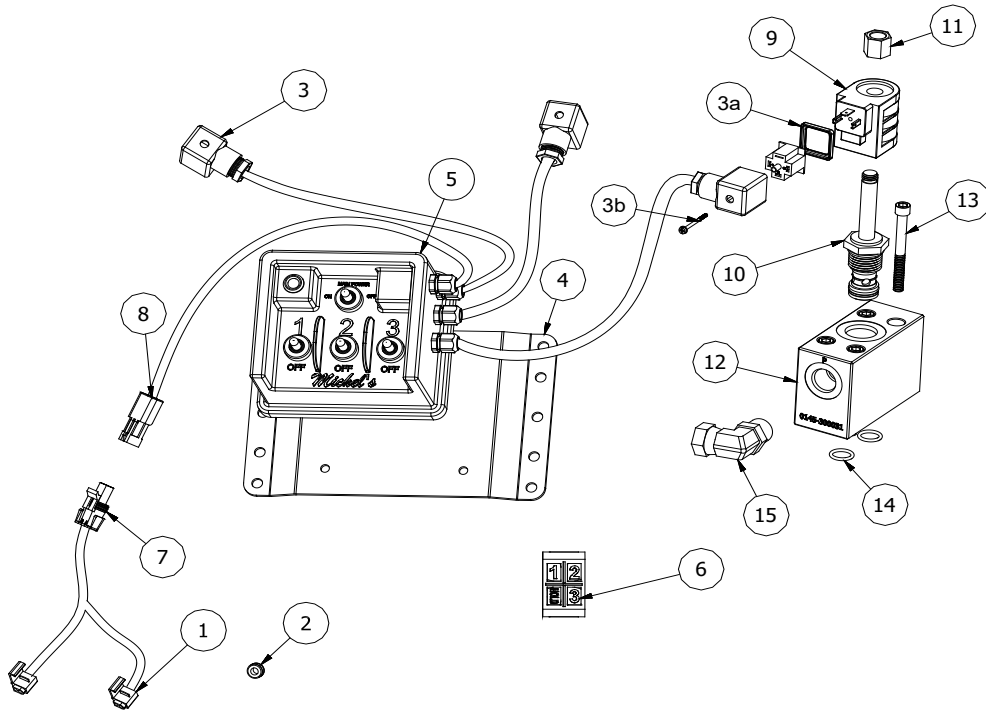
8	0003-510122	10" - 12" EXTENSION BOTTOM CORE/FLIGHTING ASSEMBLY	EACH
N/A	0003-510123	10" - 18" EXTENSION BOTTOM CORE/FLIGHTING ASSEMBLY	EACH
N/A	0003-510124	10" - 24" EXTENSION BOTTOM CORE/FLIGHTING ASSEMBLY	EACH

WHEN ORDERING PARTS THE SERIAL AND MODEL NUMBERS ARE REQUIRED ALONG WITH WHETHER IT IS THE FRONT OR REAR AUGER



WIRELESS REMOTE

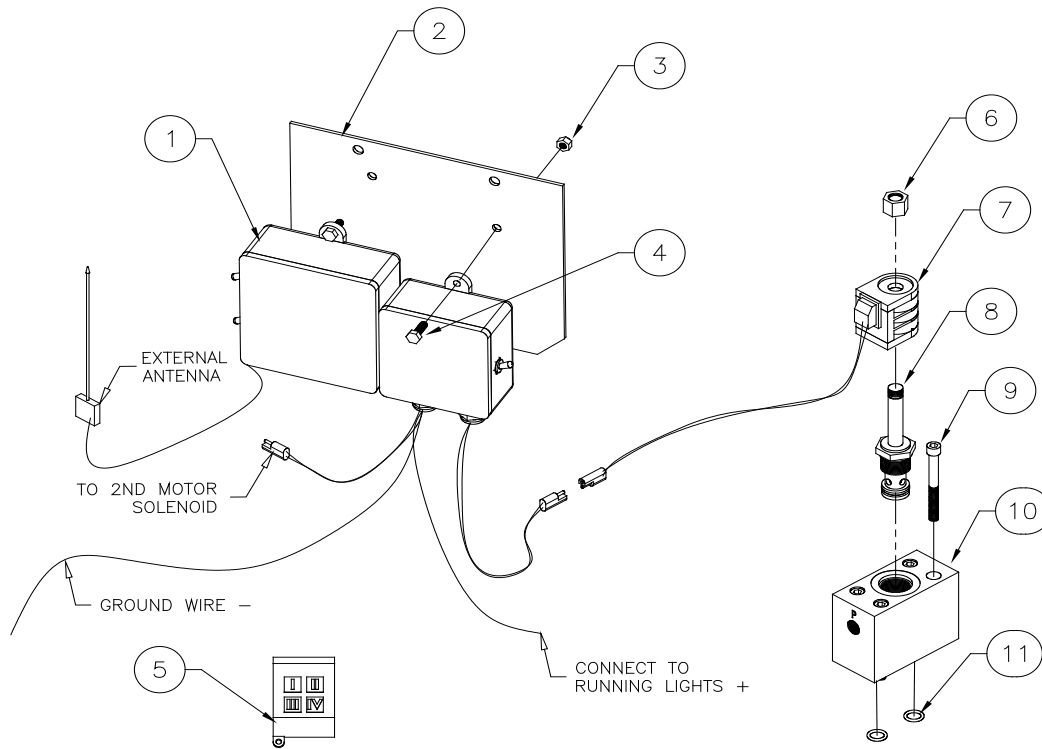
REF #	PART #	DESCRIPTION	UOM
1	0145-300018	18-14 AWG Gel Filled Wire Tap -Pico	EACH
2	0145-300033	Rubber Grommet - 1/4" ID x 1/2" OD x 9/32" Thick - 1/8" x 3/8" Groove	EA
3	0145-300032	C - DIN Connector with Light Assembly	EA
3b	0145-300035	Screw for Hirschmann (Grey) DIN Connector M3-35-GDM Centre Screw	EA
3a	0145-300034	Blk Gasket for Hirschmann DIN Connector	EA
4	0003-020006	Wireless Remote Mounting Plate	EACH
-	0105-007002	1/4"-20 x 3/4" - Truss Slot/ Square - Machine Screw - ZINC	EACH
-	0105-000102	5/16"-18 x 1" GR5 - Hex Cap Screw - Full Thread - ZINC	EACH
-	0100-001101	5/16"-18 GR2 - Nylon Lock Nut - ZINC	EACH
3 + 5 - 8	0003-020008	C - 4 Button 2 Hopper Receiver Box & Remote c/w Din Connectors LESS Blocks	EACH
3 + 5 - 8	0003-020009	C - 4 Button 3 Hopper Receiver Box & Remote c/w Din Connectors LESS Blocks	EACH
6	0145-300103	Transmitter/Remote with Clip for Hopper Augers (New Style)	EA
9-14	0003-020034	C - Complete Solenoid Assembly C/W Aluminum Block (Assembled) - DIN Connectors	EACH
9	0145-300029A	Coil - DIN Posts - 12 Volt (for N/S Black Box)	EACH
10	0145-300003	C- Cartridge c/w nut	EACH
11	0145-300003A	Nut for Cartridges	EACH
9-11	0145-300029	C - Cartridge & Coil Assembly - Delta Power - for a Black Box	EACH
12	0145-300031	C - Lrg. Solenoid 1 1/16"-12 Cavity Manifold #10 Sae Ports	EA
13	0106-000017	5/16"-18 x 3" - Socket Cap Screw - BARE	EACH
14	0146-300007	"O" Rings for EATON/Nu Starr HYD Motors	EACH
15	0146-300014	1/2" FEM 90~ Pipe Swivel Adapter c/w #10 O-Ring Boss	EACH
1-15	HA-2WRK	Hopper auger W.R. kit -Conversion - 2 Hopper - C/W Remote, Blocks, Coils & Cart.	EACH
1-15	HA-3WRK	3 Hopper Auger Wireless Remote -Conversion Kit C/W Remote, Blocks, Coils & Cart.	EACH



OBSOLETE WIRELESS REMOTE ASSEMBLY

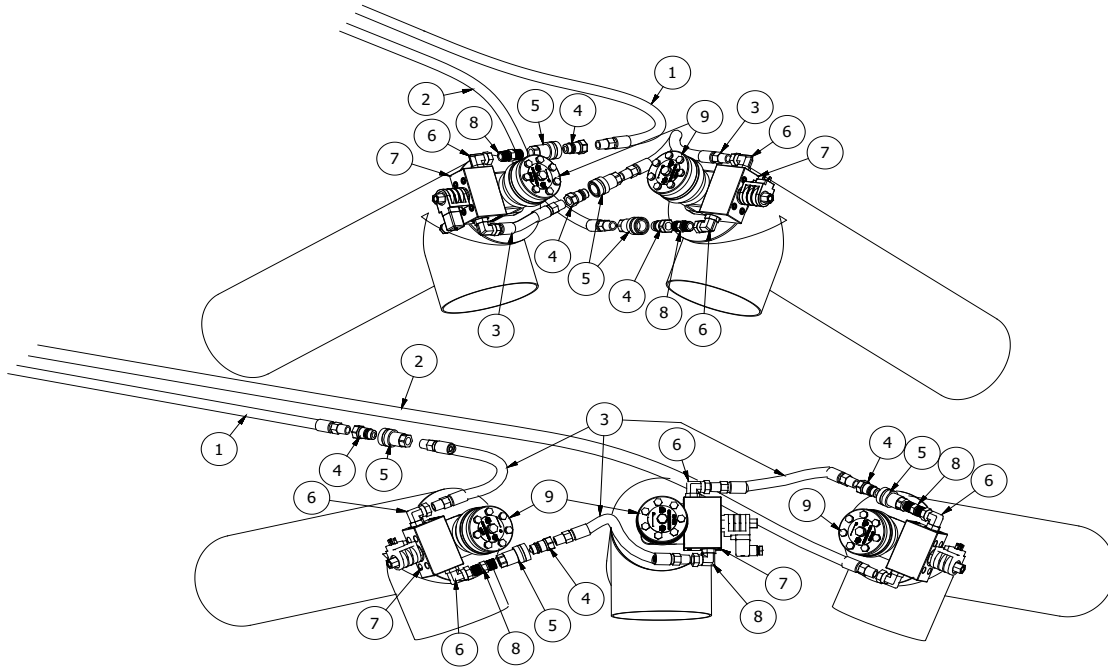
REF #	PART #	DESCRIPTION	UOM
1	0003-020001	C - Wireless Remote BoxesOnly -2 Hopper Auger C/W Remote	EACH
N/A	0003-020002	C - Wireless Remote Contrl Box Only -3 Hopper C/W Remote	EACH
2	0003-020006	Wireless Remote Mounting Plate	EACH
3	0100-001100	1/4"-20 GR2 - Nylon Lock Nut - ZINC	EACH
4	0105-000002	1/4"-20 x 3/4" GR5 - Hex Cap Screw - Full Thread - ZINC	EACH
5	0145-300011	C - 4 Button Remotes Only OBSOLETE	EACH
6	0145-300003A	Nut for Cartridges	EACH
7	0003-020003	Coil Assembly - Wire Leads *** O/S With the wire leads *** for Grey Box	EACH
8	0145-300003	C- Cartridge c/w nut	EACH
6-8	0003-020004	C - Coil / Cartridge & Nut Assembly - Wire Leads for an O/S Grey Box	EACH
9	0106-000017	5/16"-18 x 3" - Socket Cap Screw - BARE	EACH
10	0145-300005	C - Electric Solenoid Block (Large) - NPT Ports	EACH
11	0146-300007	"O" Rings for EATON/Nu Starr HYD Motors	EACH
6-11	0003-020005	C - Complete Soleniod Assembly C/W Aluminum Block (Asmb) - Wire Leads - Grey Bo	EACH

Note: Some items can still be ordered and others are Obsolete. Call for availability.



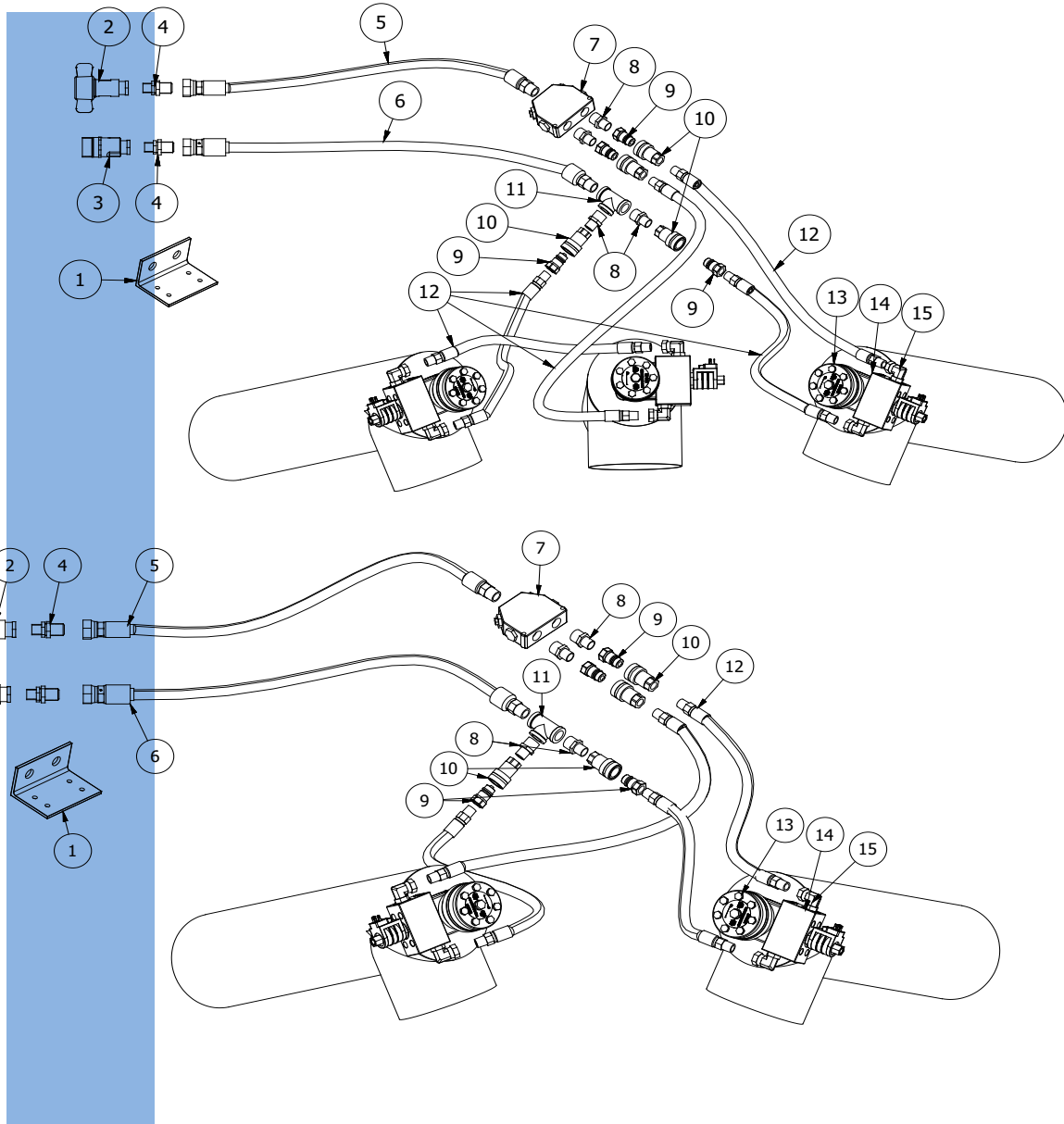
Hydraulic Plumbing

REF #	PART #	DESCRIPTION	UOM
1	NA	1/2" Hose x (Trailer Length/2 + 2') - 1/2" NPT Male Ends	#N/A
2	NA	1/2" Hose x (Trailer Length/2 + 3') - 1/2" NPT Male Ends	#N/A
3	0147-300000	1/2" Hose x 24" - 1/2" NPT Male Ends	EACH
4	0146-300012	Male Quick Coupler 1/2" - Poppet Style	EACH
5	0146-300010	Quick Coupler Female - Pressure - Poppet Style	EACH
	0146-300011	set of Quick Couplers Male & Female	EACH
6	0146-300014	1/2" FEM 90~ Pipe Swivel Adapter c/w #10 O-Ring Boss	EACH
7	0003-020034	C - Complete Solenoid Assembly C/W Aluminum Block (Assembled) - DIN Connectors	EACH
8	0146-300008	1/2" Hex Nipple- for Hydraulic Hose	EACH
9	0146-000015	NU-STAR 5.9 cu in. Hydraulic Motor (8" & 10" Augers) Model # BMRS-100P97C1Y19	EACH



50/50 Flow Block Hydraulic Plumbing

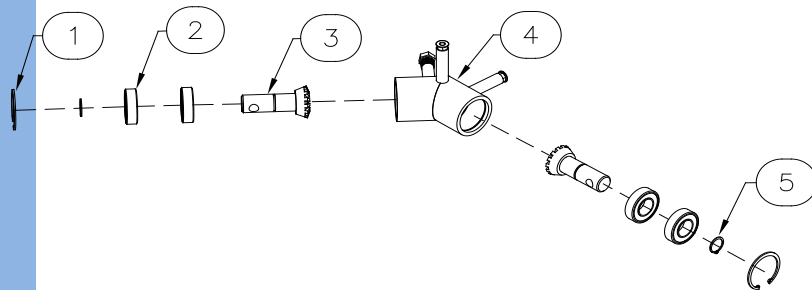
REF #	PART #	DESCRIPTION	UOM
1	0003-030001	Bulk Head Bracket	EA
2	0146-300018	Wing Nut Coupler	EA
3	0146-300019	Wing Nut Nipple	EA
4	0146-300020	Bulkhead Adapter - #16 JIC x 1" Male NPT	EACH
5	0	3/4" Hose - (Trailer Length/2 + 3') 3/4" NPT Male and #16 JIC Female	#N/A
6	0	1" Hose - (Trailer Length/2 + 3') 3/4" NPT Male and #16 JIC Female	#N/A
7	0147-700015	50/50 Flow Divider	EACH
8	0146-300021	Hex Nipple - 3/4" Male NPT x 1/2" Male NPT	EACH
9	0146-300012	Male Quick Coupler 1/2" - Poppet Style	EACH
10	0146-300010	Quick Coupler Female - Pressure - Poppet Style	EACH
	0146-300011	set of Quick Couplers Male & Female	EACH
11	0147-700007	3/4" Pipe Size Galvanized Tee	EACH
12	0147-300000	1/2" Hose x 24" - 1/2" NPT Male Ends	EACH
13	0146-000015	NU-STAR 5.9 cu in. Hydraulic Motor (8" & 10" Augers) Model # BMRS-100P97C1Y19	EACH
14	0003-020034	C - Complete Solenoid Assembly C/W Aluminum Block (Assembled) - DIN Connectors	EACH
15	0146-300014	1/2" FEM 90~ Pipe Swivel Adapter c/w #10 O-Ring Boss	EACH



GEARBOX

REF #	PART #	DESCRIPTION	UOM
1	0110-000301	2" (50 mm) x .078" Thick - Internal Snap Ring - for Auger Gear Box	EACH
2	0115-000007	6205-1-2RS Bearing (Auger Gear Box & Clutch Crank)	EACH
3	0003-010007	Set of Gear Box Shafts - 1"	SET
4	0003-010004F	C - 8" Steel Gear Box Housing c/w pins welded on	EACH
4	0003-060004F	C - 8" Alum Gear Box Housing c/w pins welded on	EACH
4	0003-510004F	C - 10" Steel Gear Box Housing c/w pins welded on	EACH
4	0003-560004F	C - 10" Aluminum Gear Box Housing c/w pins welded on	EACH
5	0110-000300	1" Shaft Dia. External Retaining Ring x .078" Thick Phosphate Steel	EACH
1-5	0003-010004	C- 35, 50, 70, 80 Degree 8" Gear Box Assembly - Steel FRONT or REAR 3/4" or 1"	EACH
1-5	0003-060004	C - 35, 50, 70, 80 8" Gear Box Assembly - ALUMINUM FRONT or REAR 3/4" or 1"	EA
1-5	0003-510004	C - Degree ? 10" Gear Box Assembly FRONT or REAR 3/4" or 1" STEEL or ALUMINUM	EACH
1-5	0003-560004	C - Degree ? 10" ALUMINUM Gear Box Assembly Front or Rear 3/4" or 1"	EA

WHEN ORDERING PARTS THE SERIAL AND MODEL NUMBERS ARE REQUIRED ALONG WITH WHETHER IT IS THE FRONT OR REAR AUGER



MISCELLANEOUS PARTS

REF #	PART #	DESCRIPTION	UOM
HINGE			
N/A	0112-003000	Piano Hinge - Steel - 1-1/2 x .060" x 72" - 1/8" Pin	FT.
N/A	0112-003000B	Piano Hinge - Alum - 3" x .081" x 72" - 1/4" Pin	FT.
N/A	0112-003005	Piano Hinge - Alum - 2" x .060" x 72" - 1/8" Pin	LGTH
N/A	0112-003002	C - D2000 Over Centre Latch c/w Strike ZINC	SET

BOTTOM DOOR ASSEMBLIES

N/A	0003-010131	Bottom Door Assembly C/W Hinge, Latches and Keepers	EACH
N/A	0003-060131	DP ALUM Bottom Door Assembly	EA

8" CORE & FLIGHTING PARTS

N/A	0150-007002	6.812 x 6.812 x 1.063 x 10G x 120" RHflighting (DO NOT INTERTWINE PIECES)	FT.
N/A	0150-007001	6.812 x 6.812 x 1.063 x 10G x 120" LHflighting (DO NOT INTERTWINE PIECES)	FT
N/A	0150-001038	1.050 OD x .100 Wall x 24' Round HSS Tubing	FT
N/A	0161-004000	Machined 3/4" Bearing Shaft - Augers	EACH
N/A	0003-010015	Auger Collar - New Style	EACH

8" HEAVY DUTY BOTTOM CORE & FLIGHTING PARTS

N/A	0150-007016	7".0 x 7.0 x 2"x 120" - 10G RH Flighting (DO NOT INTERTWINE)	FT
N/A	0150-007015	7".0 x 7.0 x 2"x 120" - 10G LH Flighting (DO NOT INTERTWINE)	FT
N/A	0150-001033	2" x .083 x 20' Black Pipe	FT.
N/A	0161-504008	Bearing Shaft - 10" Auger - Chrome Plated	EACH
N/A	0161-504006	10" Flighting Bushing - Bare	EACH

8" AUGER TUBE PARTS

N/A	0150-001016	8" Rd x .075 Tubing per ft.	FT
N/A	0003-010013	8" Spout Plasmaed Rolled - Bare	EACH
N/A	0003-010009	8" Angle Ring-Punched	EACH
N/A	0003-010008	C - 1 - 8" STEEL Front Inspection Door Assembly (Small door on Top Tube)	EACH
N/A	0151-001010	8" x .125" x 23' Aluminum Extruded Tube - 6061-T6 - ASTM B221	FT
N/A	0003-060013	ALUMINUM 8" Spout Formed	EA
N/A	0161-004006	8" ID x 1-1/4" W x 1-1/4" H x 3/16" GA Alum Angle Ring	EACH
N/A	0003-060008	C - 10" or 8" ALUMINUM Front Inspection Door Assembly (Small door on Top Tube)	EA

10" CORE & FLIGHTING PARTS

N/A	0150-007012	9" x 9" x 2" x 7GA x 120" RH Flighting (DO NOT INTERTWINE)	FT
N/A	0150-007011	9" x 9" x 2" x 7GA x 120" LH Flighting (DO NOT INTERTWINE)	FT
N/A	0150-001033	2" x .083 x 20' Black Pipe	FT.
N/A	0161-504008	Bearing Shaft - 10" Auger - Chrome Plated	EACH
N/A	0161-504006	10" Flighting Bushing - Bare	EACH
N/A	0161-504007	Motor Bushing - 10" Auger - Bare	EACH

10" AUGER TUBE PARTS

N/A	0150-001029	10"x.075 x 23' HR 1015 **STEEL** Tubing	FT
N/A	0003-510013	Auger Spout Plasmaed & Rolled - Bare	EACH
N/A	0003-510009	10" Angle Ring- Punched	EACH
N/A	0003-510008	C - 10" STEEL Front Inspection Door Assembly (Small door on Top Tube)	EACH
N/A	0151-001011	10" OD x .125" x 23' Aluminum Seemless Tube - 6063-T6 (Construction Tube)	FT
N/A	0003-560013	10" ALUM Auger Spout Plasmaed & Rolled	EA
N/A	0161-004007	10" ID x 1-1/4" W x 1-1/4" H x 3/16" GA Aluminum Angle Ring	EACH
N/A	0003-560008	10" ALUM Inspection Door **ASSEMBLY** (Small door on Top Tube)	EA

FOAM TAPE AND RUBBER SWEEP

N/A	0149-000200	1/4" x 1" A/B Celltite Sponge x 25'	FT.
N/A	0149-000202	3/4" x 3/4" x 12.5 ft. A/B Celltite Sponge	FT
N/A	0149-000203	Foam Tape - 1/8" x 1/2" x 50'	FT
N/A	0149-000210	1" x 1" cw A/B Celltite Sponge x 12.5 ft.	FT
N/A	0149-000211	Sponge - Celltite A/B - 1-1/4" (thick)x 3/4" (width)x 6'	FT
N/A	0149-000212	3/8" x 1" A/B Celltite Sponge - 20' /Roll	FT.
N/A	0149-000201	Rubber Utility Skirt	SQ.FT

HYDRAULIC PARTS

N/A	0147-700010	1/2" NPT Selector Valve	EACH
N/A	0147-700009	3/4" NPT Selector Valve	EACH
N/A	0147-700015	50/50 Flow Divider	EACH
N/A	0146-000012	Seal Kit for 5.9 cu in. Hydraulic Motor (8" Augers)	EACH
N/A	0146-000013	Seal Kit for 5.9 cu in. Eaton Special Hydraulic Motor (10" Augers)	EACH
N/A	0146-000014	Seal Kit for 5.9 cu in. Nu-Star Special Hydraulic Motor (8" & 10" Augers)	EACH