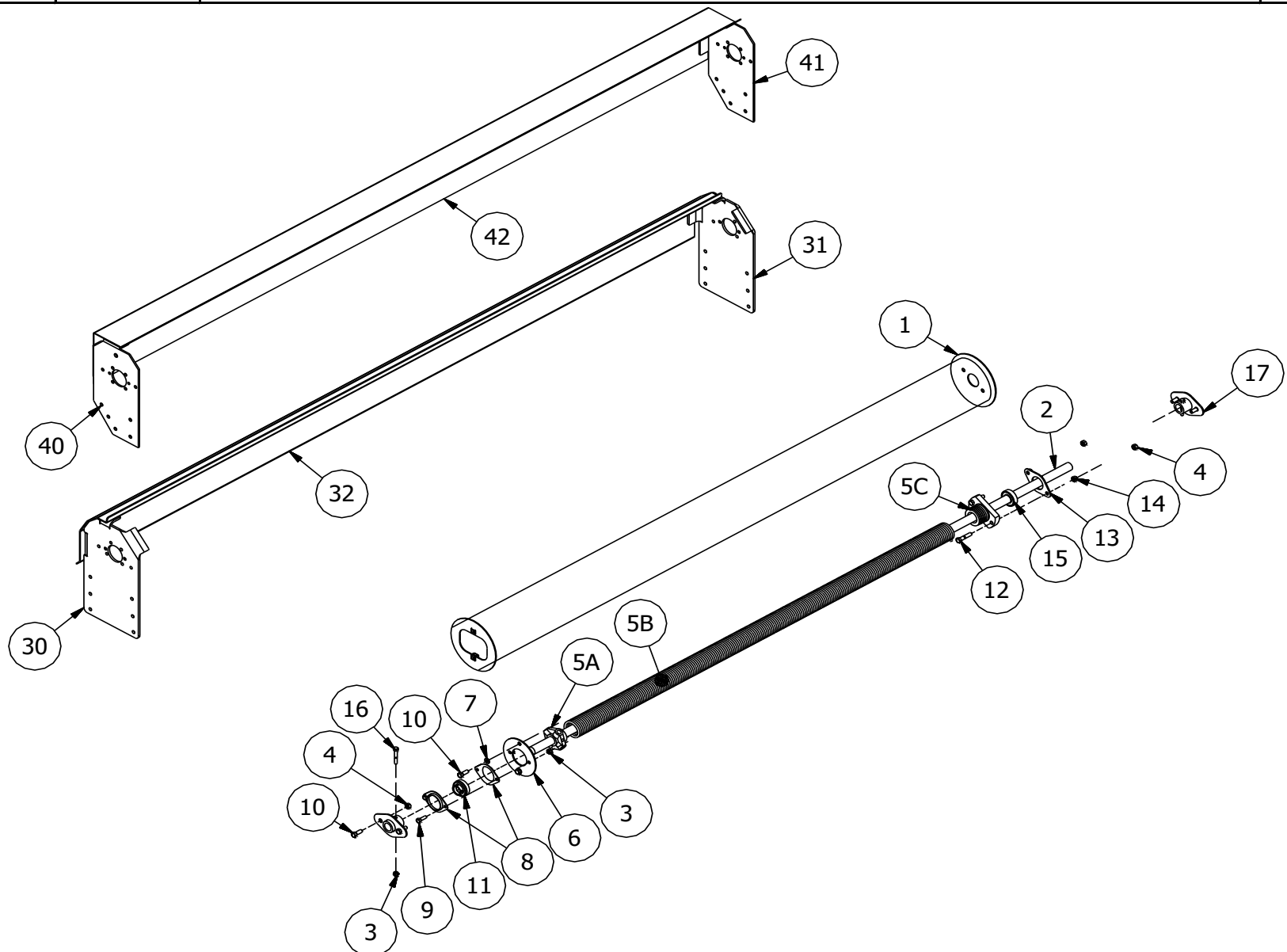


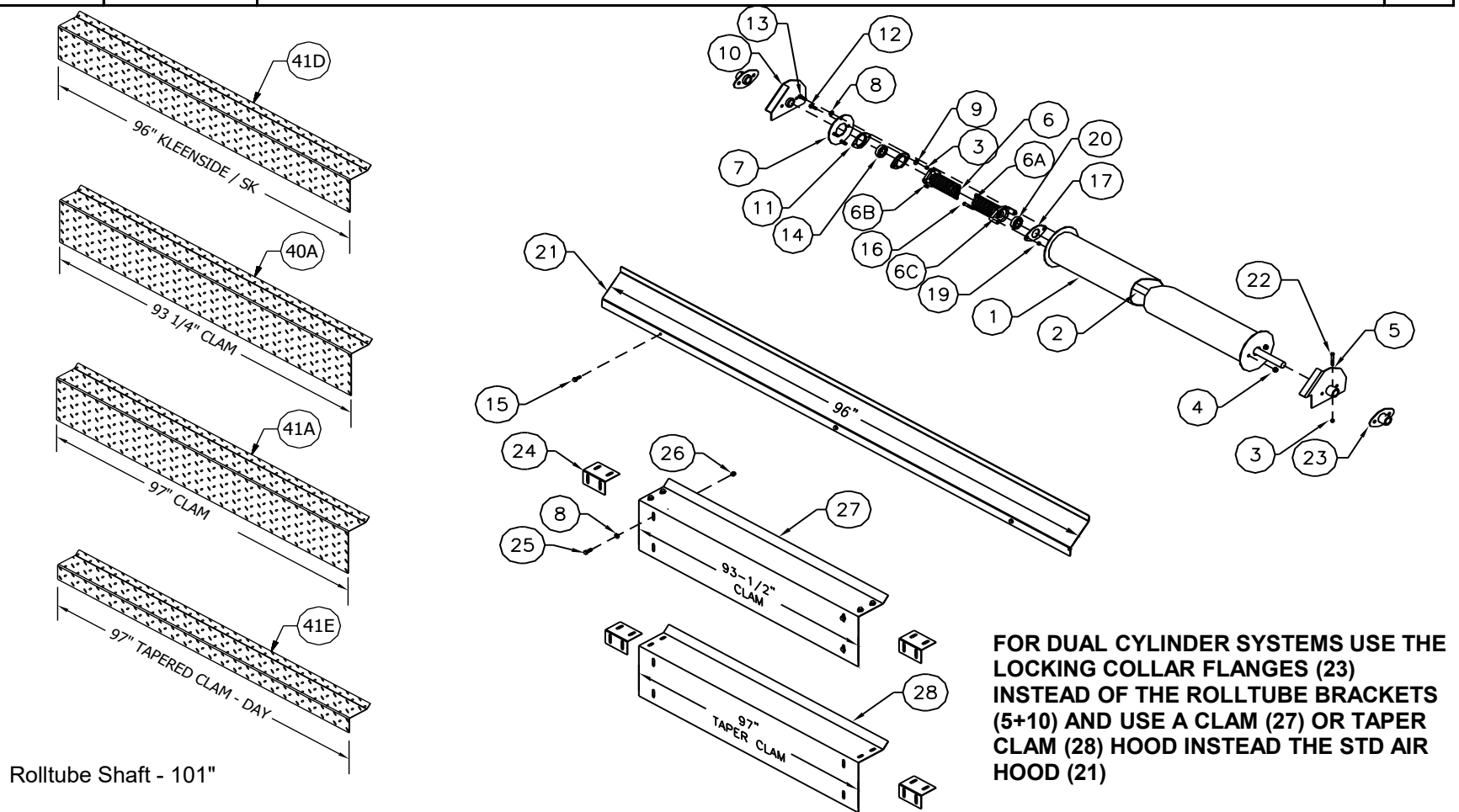
AIR FLIP ROLLTUBE ASSEMBLY

REF	PART #	DESCRIPTION	QTY
1	0002-040602	Roll Tube Only - AF	EACH
2	0002-040603	Roll Tube Shaft - AF	EACH
3	0100-001101	5/16"-18 GR2 - Nylock Lock Nut - ZINC	EACH
4	0100-001302	3/8"-16 GR2 - Serrated Flange Lock Nut - ZINC	EACH
5	0002-040612	Air Flip Roll Tube Spring c/w Bearing End, Tightener End & **Instructions**	EACH
5A	0161-002016BR2	Aluminum Spring End- Machine Coned (Bolted)	EACH
5B	0117-002004	Air/Combine Rolltube Torsion Spring Only -60"	EACH
5C	0161-002009	Threaded Spring End - Bearing / T-Bolt Plug	EACH
6	0002-040604	Roll Tube Shaft End Cap - AF	EACH
7	0101-001002	3/8" USS - Flat Washer - ZINC	EACH
8	0115-001000	T - 52MM Flangette Pltd (SOLD AS EACH) Tariff# 7326.9085	EACH
9	0105-000102	5/16"-18 x 1" GR5 - Hex Cap Screw - Full Thread - ZINC	EACH
10	0105-000202	3/8"-16 x 1" GR5 - Hex Cap Screw - Full Thread - ZINC	EACH
11	0115-000008	T - UC205-16ECC Self Aligning Bearing Black Oxide	EACH
12	0105-000205	3/8"-16 x 1-3/4" GR5 - Hex Cap Screw - ZINC	EACH
13	0002-040607	Bearing Flange - AF	EACH
14	0100-001002	3/8"-16 GR2 - Hex Nut - ZINC	EACH
15	0115-000006	SA205-16 Bearing	EACH
16	0105-000106	5/16"-18 x 2" GR5 - Hex Cap Screw	EACH
17	0002-040605	Locking Collar - AF	EACH
1-17	0002-040613	C - Air Flip Roll Tube Assembly. Less Rolltube Brackets & Wind Deflector	EACH
30	0002-040501	T - Dura Rolltube Bracket - Driver	EA
31	0002-040502	T - Dura Rolltube Bracket - Passenger	EA
32	0002-040503	8' Std. Dura Front Hood - Checker Plate	EA
32A	0002-040504	T - 8' 6" Std. Dura Front Hood - Checker Plate	EA
1-32	0002-040630	C - Air Flip Roll Tube Assembly. Aluminum Rt Brkts, Checkerplate Wind Deflector	EACH
40	0002-040304	T - Driver Rolltube Bracket (Steel)	EACH
41	0002-040305	T - Pass. Rolltube Bracket (Steel)	EACH
42	0002-040306	Flip - 8' Std Aluminum Front Hood	EACH
42A	0002-040406	Flip - 8' 6" Std Aluminum Hood	EACH
1-17 & 40-42	0002-040640	C - Air Flip Roll Tube Assembly. Steel Rt Brkts, Wind Deflector & Instructions	EACH



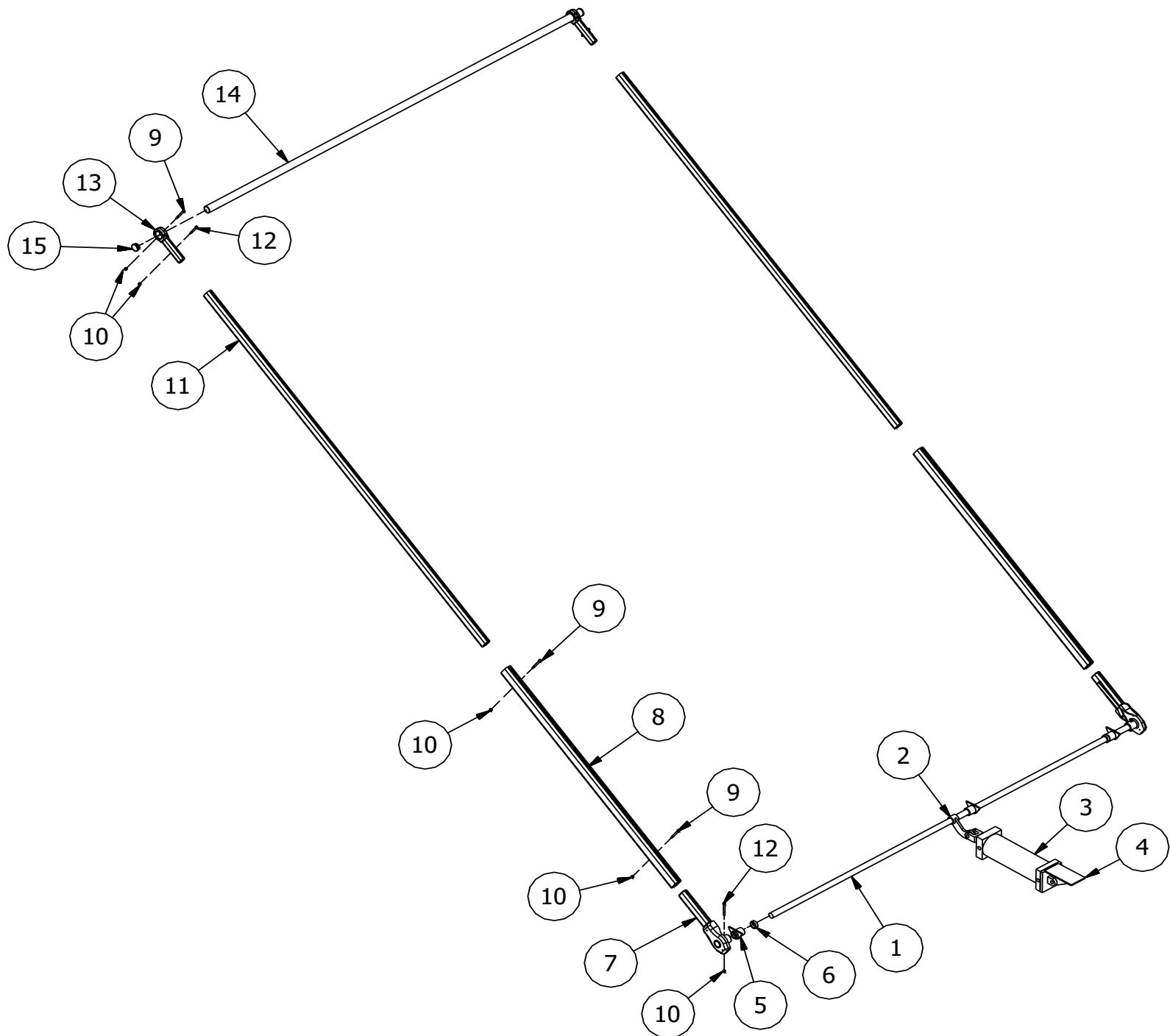
MIDLAND AIR FLIP ROLLTUBE ASSEMBLY

REF	PART #	DESCRIPTION	QTY
1	0002-040602	Roll Tube Only - AF	EACH
2	0002-040603	Roll Tube Shaft - AF	EACH
3	0100-001101	5/16"-18 GR2 - Nylock Lock Nut - ZINC	EACH
4	0100-001302	3/8"-16 GR2 - Serrated Flange Lock Nut - ZINC	EACH
5	0002-040609	Midland Air Rolltube Bracket - Dr.	EACH
6	0002-040612	Air Flip Roll Tube Spring c/w Bearing End, Tightener End & **Instructions**	EACH
6A	0117-002004	Air/Combine Rolltube Torsion Spring Only -60"	EACH
6B	0161-002016BR2	Aluminum Spring End- Machine Coned (Bolted)	EACH
6C	0161-002009	Threaded Spring End - Bearing / T-Bolt Plug	EACH
7	0002-040604	Roll Tube Shaft End Cap - AF	EACH
8	0101-001002	3/8" USS - Flat Washer - ZINC	EACH
9	0101-001001	5/16" USS - Flat Washer - ZINC	EACH
10	0002-040610	Midland A/F Rolltube Bracket - Pass	EACH
11	0115-001000	T - 52MM Flangette Pltd (SOLD AS EACH) Tariff# 7326.9085	EACH
12	0105-000102	5/16"-18 x 1" GR5 - Hex Cap Screw - Full Thread - ZINC	EACH
13	0105-000202	3/8"-16 x 1" GR5 - Hex Cap Screw - Full Thread - ZINC	EACH
14	0115-000008	T - UC205-16ECC Self Aligning Bearing Black Oxide	EACH
15	0105-000102S	5/16 x 1" GR5 - Hex Cap Screw - Serrated Flange	EACH
16	0105-000205	3/8"-16 x 1-3/4" GR5 - Hex Cap Screw - ZINC	EACH
17	0002-040607	Bearing Flange - AF	EACH
19	0100-001002	3/8"-16 GR2 - Hex Nut - ZINC	EACH
20	0115-000006	SA205-16 Bearing	EACH
21	0002-040608	Wind Deflector -Air Flip - Midland	EACH
22	0105-000106	5/16"-18 x 2" GR5 - Hex Cap Screw	EACH
1-22 less 5,10,21	0002-040613	C - Air Flip Roll Tube Assembly. Less Rolltube Brackets & Wind Deflector	EACH
1-22	0002-040611	C - Air Flip Roll Tube Assembly - Midland C/W - BRACKETS & WINDDEFLECTOR	EACH
23	0002-040605	Locking Collar - AF	EACH
24	0002-040309	4-1/2"x5-1/2" Aluminum Plate	EACH
25	0105-000202	3/8"-16 x 1" GR5 - Hex Cap Screw - Full Thread - ZINC	EACH
26	0100-001102	3/8"-16 GR2 - Nylock Lock Nut - ZINC	EACH
27	0002-040307	Aluminum Front Hood-17-1/2x93-1/4	EACH
28	0002-040315	17-1/2"x97" Front Tappered AL. hood	EACH
40A	0002-040509	Midland Clam Dura Front Hood - 8" Boards -93-1/4"	EA
40A	0002-040506	Midland Clam Dura Front Hood - 10" Boards -93-1/4"	EA
41A	0002-040510	Midland Tapered Clam Dura Front Hood - 8" Boards -97"	EA
41B	0002-040511	Midland Tapered Clam Dura Front Hood - 10" Boards -97"	EA
41C	0002-040512	Midland Tapered Clam Dura Front Hood - 12" Boards -97"	EA
41D	0002-040508	Midland Kleenside SK Dura Front Hood -96" (old style ultra by cp)	EA
41E	0002-040507	Midland DAY TAPERED Clam Dura Front Hood -97"	EA



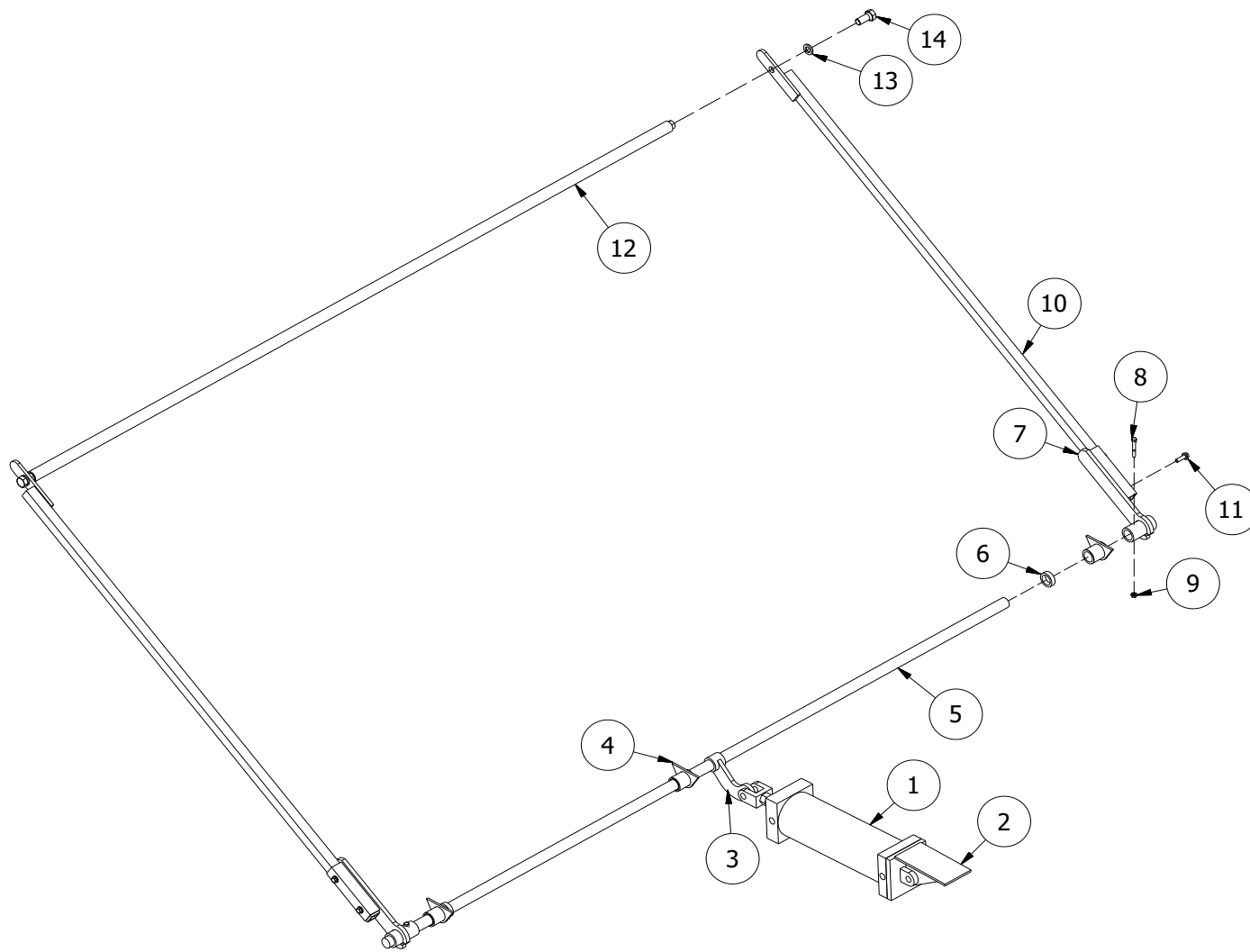
DURA AIR FLIP PIVOT ARM ASSEMBLY

REF	PART #	DESCRIPTION	QTY
1	0002-060202	1 1/4" CR Shaft x 105"	EACH
2	0002-060237	Connecting Arm - 5-1/4"	EA
3	0002-060235	C - 5" x 14" Air Cylinder c/w Clevis	EA
4	0002-060234	Cylinder Mounting Bracket - 3"	EA
5	0002-060232	Bushing Mount	EA
6	0002-060233	Shaft Positioning Collar	EA
7	0002-060236	Bottom Cast Pivot Arm - Air Flip	EA
8	0002-061002	T - Dura - Aluminum Bottom Pivot Arm - 5'	EA
9	0105-000112	5/16"-18 x 3-1/2" GR5 - Hex Cap Screw - ZINC	EACH
10	0100-001101	5/16"-18 GR2 - Nylock Lock Nut - ZINC	EACH
11	0002-061003	T - Dura - Aluminum Top Pivot Arm - 98"	EA
12	0105-000110	5/16"-18 x 3" GR5 - Hex Cap Screw - ZINC	EACH
13	0161-003018	T - Rear Crossmember Holder - Dura Flip	EA
14	0002-061004	C - Dura - 8' Aluminum Rear Crossmember c/w Plastic Plugs	EA
14A	0002-061005	CT - Dura - 8'6" Aluminum Rear Crossmember c/w Plastic Plugs	EA
15	0113-000054	T - 1-3/4" Round Tube Insert- 43mm x 3-5ml	EA
1-15	0002-060230	C - Dura Air Flip Pivot Arm Assembly - Bushing Mount Style, 5x14 Cyclinder	EA



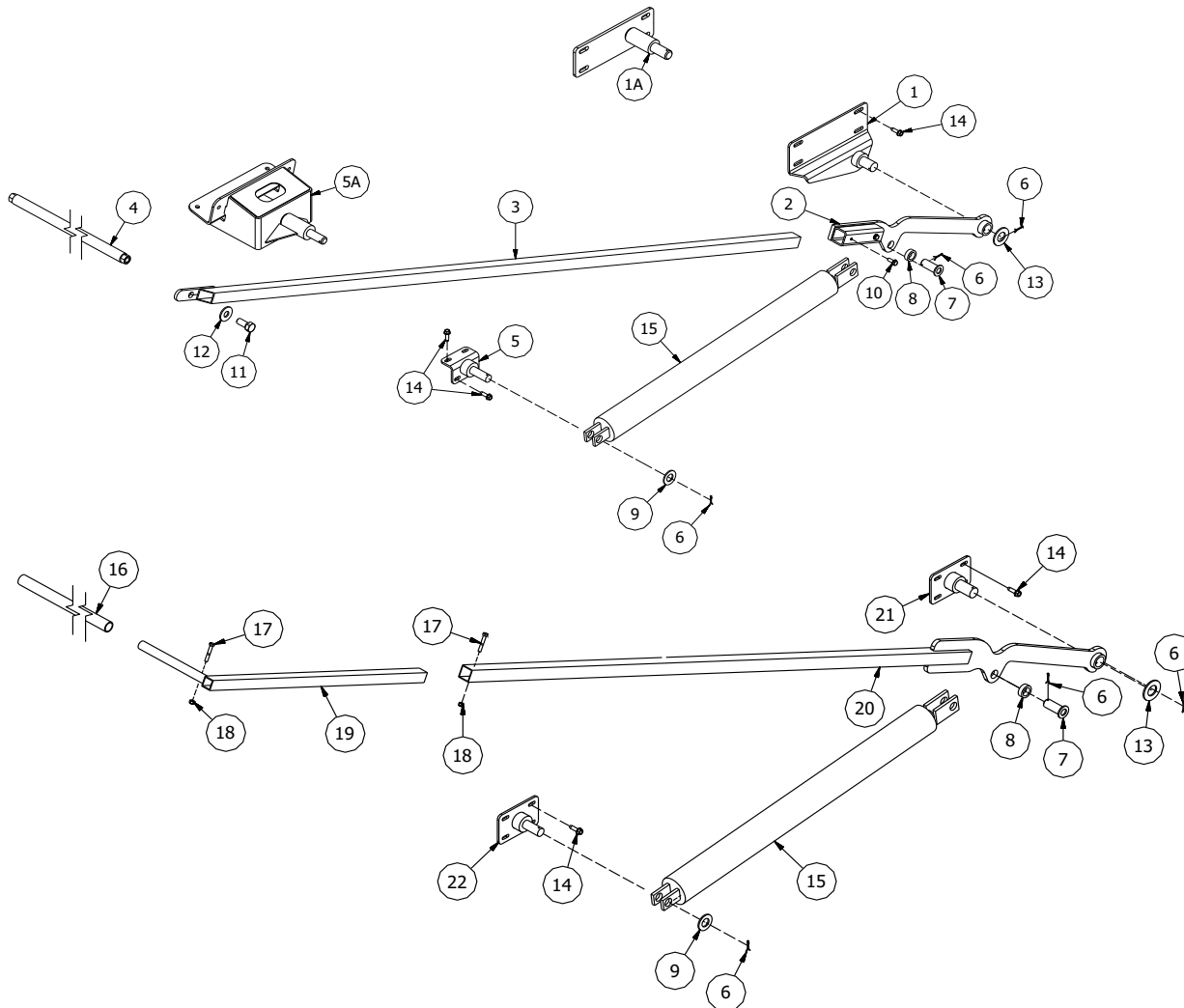
AIR FLIP PIVOT ARM ASSEMBLY

REF	PART #	DESCRIPTION	QTY
1	0002-060235	C - 5" x 14" Air Cylinder c/w Clevis	EA
2	0002-060234	Cylinder Mounting Bracket - 3"	EA
3	0002-060237	Connecting Arm - 5-1/4"	EA
4	0002-060232	Bushing Mount	EA
5	0002-060202	1 1/4" CR Shaft x 105"	EACH
6	0002-060233	Shaft Positioning Collar	EA
7	0002-060201	Bottom Pivot Arm - MAF-Under	EACH
8	0105-000107	T-5/16"-18 x 2-1/4" GR5 - Hex Cap Screw - ZINC	EACH
9	0100-001101	5/16"-18 GR2 - Nylock Lock Nut - ZINC	EACH
10	0002-060205	Top Pivot Arm - Under - 120" - Air Flip -	EACH
11	0106-000016	3/8" x 1-1/4" - HWH - Thread Cutting Bolt - Type T	EACH
12	0002-060109	C - Air Flip Rear Crossmember c/w bolt & washer	EACH
13	0101-001206	3/4" - Lock Washer - Plated	EACH
14	0105-000605	3/4"-10 x 1-3/4" GR5 - Hex Cap Screw - Bare - Obsolete	EACH
1-14	0002-060245	C - Steel Air Flip Pivot Arm Assembly - Bushing Mount Style, 5x14 Cylinder	EA



MIDLAND DUAL CYLINDER PIVOT ARM ASSEMBLY

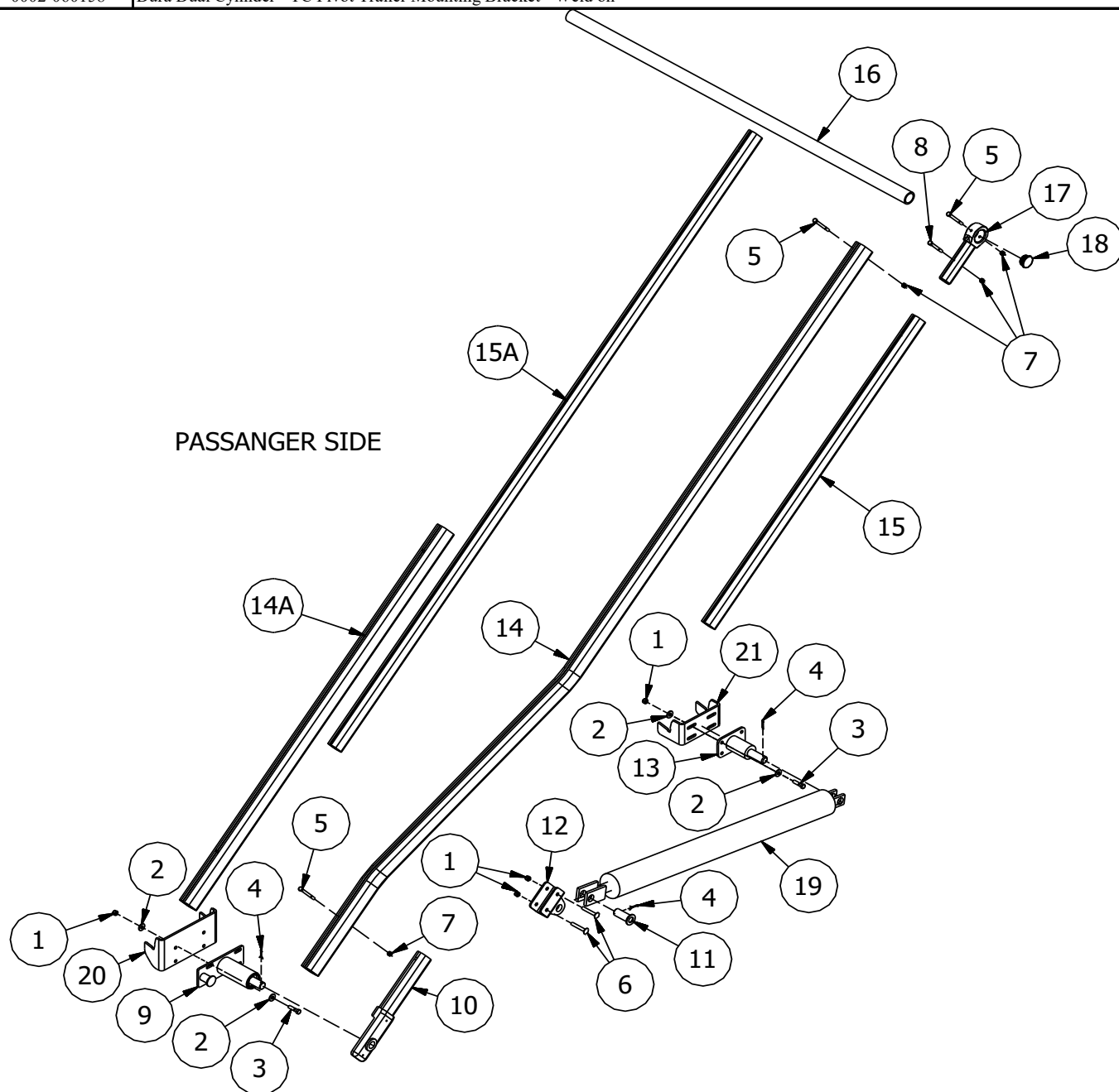
REF	PART #	DESCRIPTION	QTY
1	0002-060105	Pivot Arm Bracket-AF/Driver	EACH
N/A	0002-060106	Pivot Arm Bracket - AF/ Pass.	EACH
1A	0002-060151	Pivot Arm Bracket - TC	EACH
2	0002-060103	Bottom Pivot Arm - AF/ Driver	EACH
N/A	0002-060104	Bottom Pivot Arm - AF/ Pass.	EACH
3	0002-060108	Top Pivot Arm - AF - 110"	EACH
4	0002-060109	C - Air Flip Rear Crossmember c/w bolt & washer	EACH
5	0002-060107	Cylinder Mounting Bracket	EACH
5A	0002-060152	Cylinder Mounting Bracket - TC	EACH
6	0110-000012	T- 3/16" x 2" - Cotter Pin - YZ	EACH
7	0002-060110	C - 1" Pin c/w cotter pin & washer	EACH
8	0002-060111	Spacer - AF	EACH
9	0101-001107	1" SAE - Flat Washer - ZINC	EACH
10	0105-000202S	3/8"-16 x 1" GR8 - Hex Cap Screw - Serrated Flange (800/box)	EACH
11	0105-000605	3/4"-10 x 1-3/4" GR5 - Hex Cap Screw - Bare - Obsolete	EACH
12	0101-001206	3/4" - Lock Washer - Plated	EACH
13	0101-001108	1-1/4" SAE - Flat Washer	EACH
14	0106-000016	3/8" x 1-1/4" - HWH - Thread Cutting Bolt - Type T	EACH
15	0600-000002	3" x 33" Pneumatic Cylinder	EACH
1-15	0002-060112	C - MD Dual Pivot Arm c/w Cylinders	EACH
1-14	0002-060113	C - Complete MD Dual Pivot Arm Assembly	EACH
1-14 cw/1A & 5A	0002-060150	C - Comptle Taper Clam Air Pivot Arm As	EACH
N/A	0002-060130	Complete MD Dual Kit -Rt,Cylders&PA - See BOM's	EACH
N/A	0002-060131	C - Complete Midland Dual Cylinder Air Flip Kit - R.T. & Pivot Arms MID 3800232	EACH
N/A	0002-060153	C - Complete Taper Clam Air Flip Hardware Kit. - Midland Part # 3800327 -	EACH
UNIVERSAL PIVOT ARM PARTS			
16	0002-064562	102" Econo Rear Crossmember (Steel)	EACH
17	0105-000105	5/16"-18 x 1-3/4" GR5 - Hex Cap Screw - ZINC	EACH
18	0100-001101	5/16"-18 GR2 - Nylock Lock Nut - ZINC	EACH
19	0002-060652	Top Pivot Arm - 1-1/4"x36" (Steel)	EACH
20	0002-060163	Universal Dual Cylinder Bottom Pivot Arm for Steel Arms	EACH
21	0002-060161	Universal Dual Cylinder Pivot Arm Bracket	EACH
22	0002-060162	Universal Dual Cylinder Mounting Bracket for Steel Arms	EACH



Midland Standard Clam - Rear Crossmember 104"
Do NOT Stock Cylinders

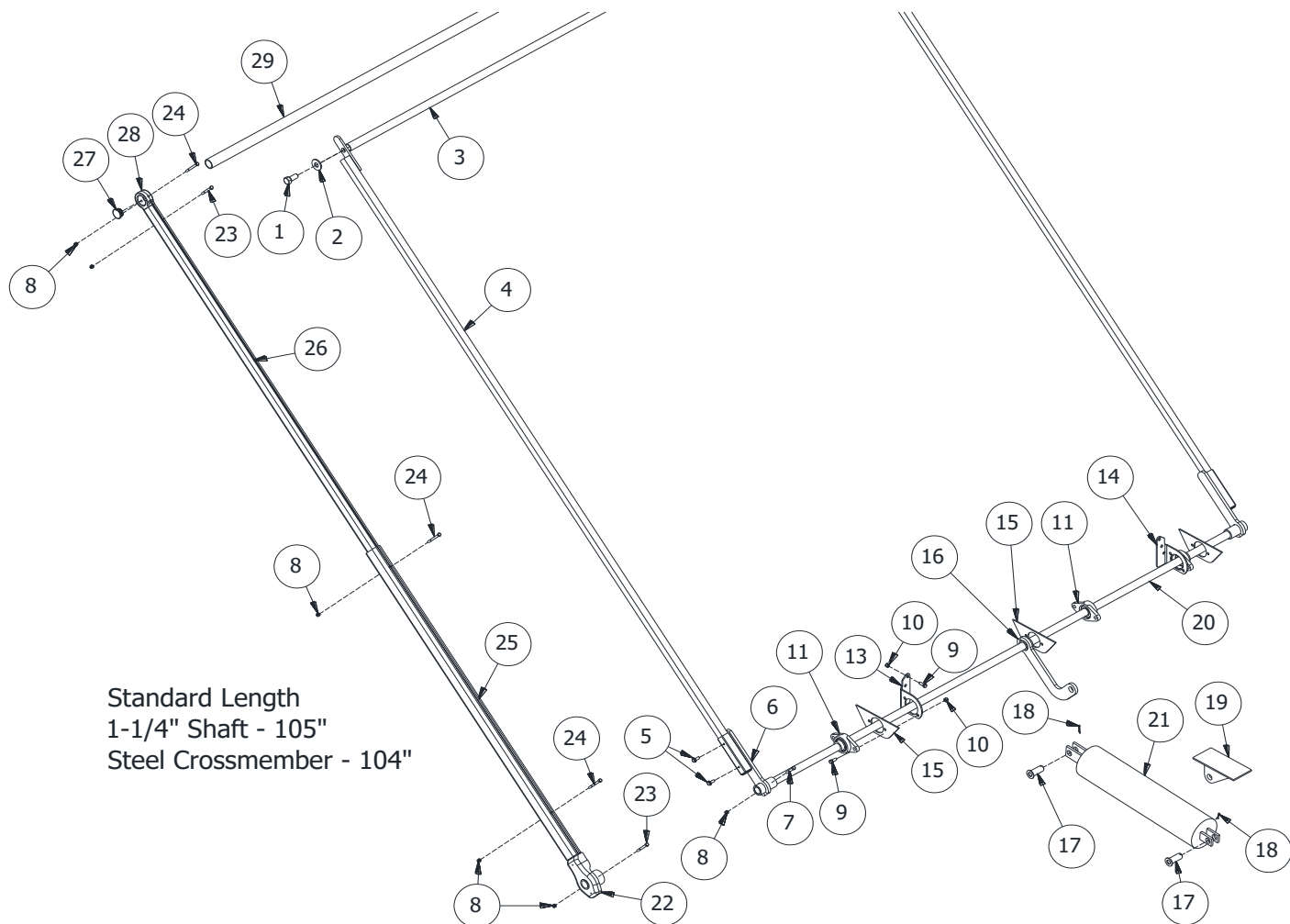
MIDLAND ALUMINUM TAPER CALM DUAL CYLINDER AIR FLIP PIVOT ARM ASSEMBLY

REF	PART #	DESCRIPTION	QTY
1	0100-001102	3/8"-16 GR2 - Nylock Lock Nut - ZINC	EACH
2	0101-001002	3/8" USS - Flat Washer - ZINC	EACH
3	0105-000204	3/8"-16 x 1-1/2" GR5 - Hex Cap Screw - ZINC	EACH
4	0110-000022	1/8" x 1-1/4" - Cotter Pin - YZ	EACH
5	0105-000112	5/16"-18 x 3-1/2" GR5 - Hex Cap Screw - ZINC	EACH
6	0105-009212	3/8" x 2-1/2" - Carriage Bolt	EACH
7	0100-001101	5/16"-18 GR2 - Nylock Lock Nut - ZINC	EACH
8	0105-000110	5/16"-18 x 3" GR5 - Hex Cap Screw - ZINC	EACH
9	0002-061001	T - Dura Pivot Arm Bracket	EA
10	0002-061013	T - 22' and Under - Bottom Cast Aluminum Arm with Nylon Bushing	EA
11	0002-060110	C - 1" Pin c/w cotter pin & washer	EACH
12	0002-060120	Dura Dual Cylinder - Arm Mounting Bracket	EA
13	0002-060155	Dura Dual Cylinder - TC Cylinder Mounting Bracket	EA
14	0002-061018	Dura Taper Clam Bottom OFFSET Arm	EA
14A	0002-061002	T - Dura - Aluminum Bottom Pivot Arm - 5'	EA
15	0002-061104	Dura Flip Tension Bow Top Pivot Arm -49" (For Tension Control Arm)	EA
15A	0002-061003	T - Dura - Aluminum Top Pivot Arm - 98"	EA
16	0002-061005	CT - Dura - 8'6" Aluminum Rear Crossmember c/w Plastic Plugs	EA
17	0161-003018	T - Rear Crossmember Holder - Dura Flip	EA
18	0113-000054	T - 1-3/4" Round Tube Insert- 43mm x 3-5ml	EA
19	0600-000002	3" x 33" Pneumatic Cylinder	EACH
1-19	0002-060156	C - Dura Taper Clam Air Flip Pivot Arm Assembly - less cylinder & trailer brkts	EACH
1-19	0002-060157	C - Complete DURA Taper Clam Air Flip Hardware Kit. - Midland Part # 3800396	EACH
1-19, c/w 14a & 15A	0002-060132	C - Dura Air Flip Pivot Arm Assembly -MX - less cylinder & trailer brkts	EACH
1-19, c/w 14a & 15A	0002-060133	C - Complete DURA Dual Cylinder MX Air Flip Aluminum Hardware Kit.	EACH
NON STOCK ITEMS			
20	0002-060159	Dura Dual Cylinder - TC Cylinder Trailer Mounting Bracket - Weld On	EA
21	0002-060158	Dura Dual Cylinder - TC Pivot Trailer Mounting Bracket - Weld on	EA



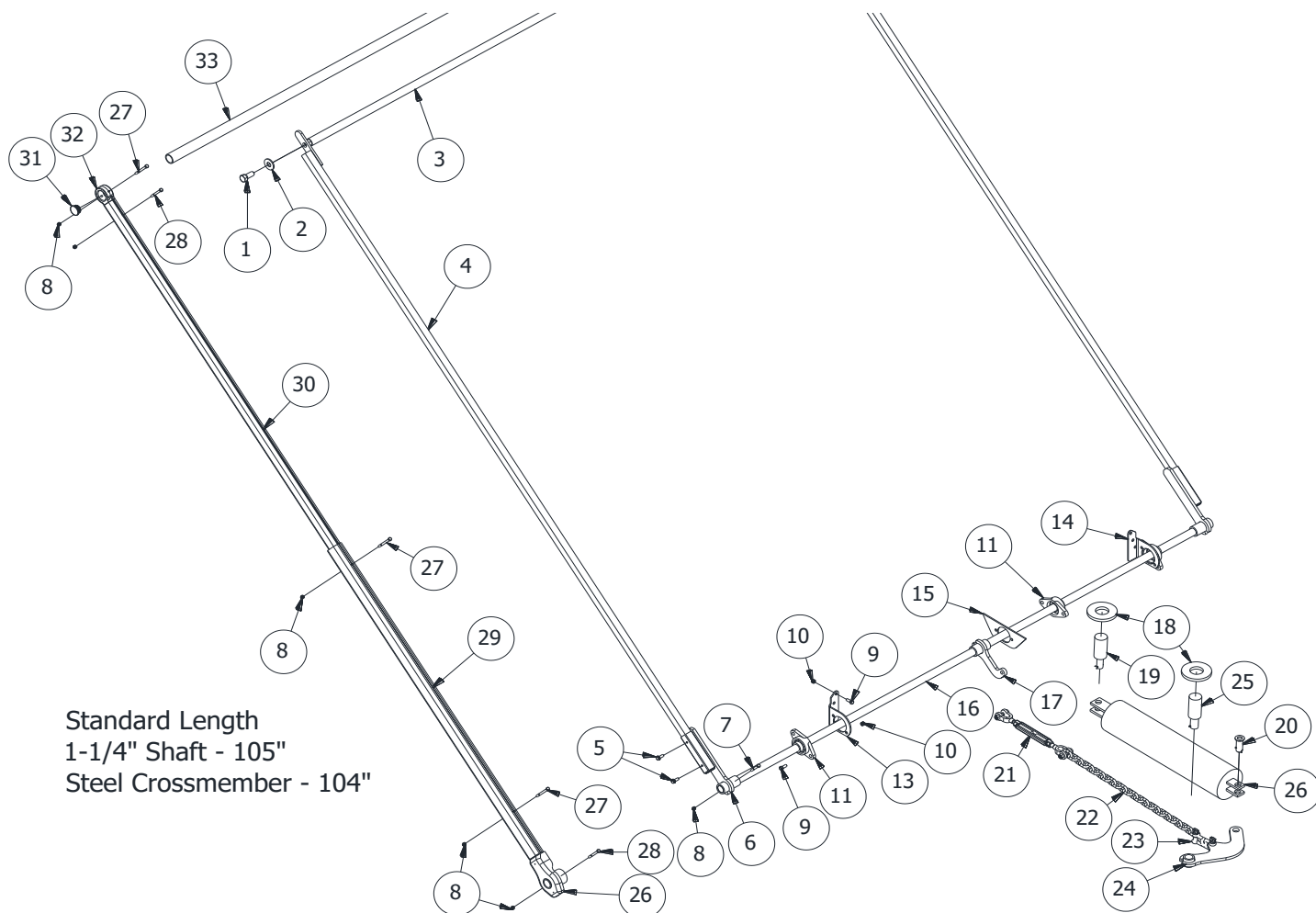
MIDLAND SK2100 & XL2100 PIVOT ARM ASSEMBLY

REF	PART #	DESCRIPTION	QTY
1	0105-000605	3/4"-10 x 1-3/4" GR5 - Hex Cap Screw - Bare - Obsolete	EACH
2	0101-001206	3/4" - Lock Washer - Plated	EACH
3	0002-060109	C - Air Flip Rear Crossmember c/w bolt & washer	EACH
4	0002-060205	Top Pivot Arm - Under - 120" - Air Flip -	EACH
5	0105-000202S	3/8"-16 x 1" GR8 - Hex Cap Screw - Serrated Flange (800/box)	EACH
6	0002-060201	Bottom Pivot Arm - MAF-Under	EACH
7	0105-000107	T-5/16"-18 x 2-1/4" GR5 - Hex Cap Screw - ZINC	EACH
8	0100-001101	5/16"-18 GR2 - Nylock Lock Nut - ZINC	EACH
9	0105-000202	3/8"-16 x 1" GR5 - Hex Cap Screw - Full Thread - ZINC	EACH
10	0100-001102	3/8"-16 GR2 - Nylock Lock Nut - ZINC	EACH
11	0115-000016	SA206-20 Self Aligning Bearing c/w Pillow Block	EACH
13	0002-060207	Mounting Bracket - SK2100 Pass.	EACH
14	0002-060206	SK2100 Driver Side Mounting Bracket (Air Flip)	EACH
15	0002-060208	Mounting Plate -SK2100 / XL2100	EACH
16	0002-060203	Connecting Arm - Midland Air Flip -	EACH
17	0002-060110	C - 1" Pin c/w cotter pin & washer	EACH
18	0110-000022	1/8" x 1-1/4" - Cotter Pin - YZ	EACH
19	0002-060204	Cylinder Mounting Bracket - Under	EACH
20	0002-060202	1 1/4" CR Shaft x 105"	EACH
1-20	0002-060200	Pivot Arm Assem.-SK2100 - See B.O.M.'s	EACH
N/A	0002-060210	C - Complete SK2100 Air Flip Kit - C/W: R.T. and Pivot Arms Midland # 3800227	EACH
1-20	0002-060250	Pivot Arm Assembly - XL2100	EACH
N/A	0002-060251	C - Complete Air Flip Kit (XL-Pony Pup) - Midland Part # 3800228 -	EACH
NON STOCK ITEM			
21	0600-000002A	5" x 20" Air Cylinder	EACH
ALUMINUM PIVOT ARM PARTS			
22	0002-060236	Bottom Cast Pivot Arm - Air Flip	EA
23	0105-000110	5/16"-18 x 3" GR5 - Hex Cap Screw - ZINC	EACH
24	0105-000112	5/16"-18 x 3-1/2" GR5 - Hex Cap Screw - ZINC	EACH
25	0002-061002	T - Dura - Aluminum Bottom Pivot Arm - 5'	EA
26	0002-061003	T - Dura - Aluminum Top Pivot Arm - 98"	EA
27	0113-000054	T - 1-3/4" Round Tube Insert- 43mm x 3-5ml	EA
28	0161-003018	T - Rear Crossmember Holder - Dura Flip	EA
29	0002-061004	C - Dura - 8' Aluminum Rear Crossmember c/w Plastic Plugs	EA
8-20+22-29	0002-060225	Aluminum Pivot Arm Assem.-SK2100 See B.O.M.'s	EACH
N/A	0002-060226	C - Complete Aluminum SK2100 Air Flip Kit - C/W: Roll Tube and Pivot Arms	EACH
8-20+22-29	0002-060252	Aluminum Pivot Arm Assembly - XL2100 - See B.O.M.'s	EACH
N/A	0002-060253	C - Complete Aluminum Air Flip Kit (XL-Pony Pup) (MID-3800430)	EACH



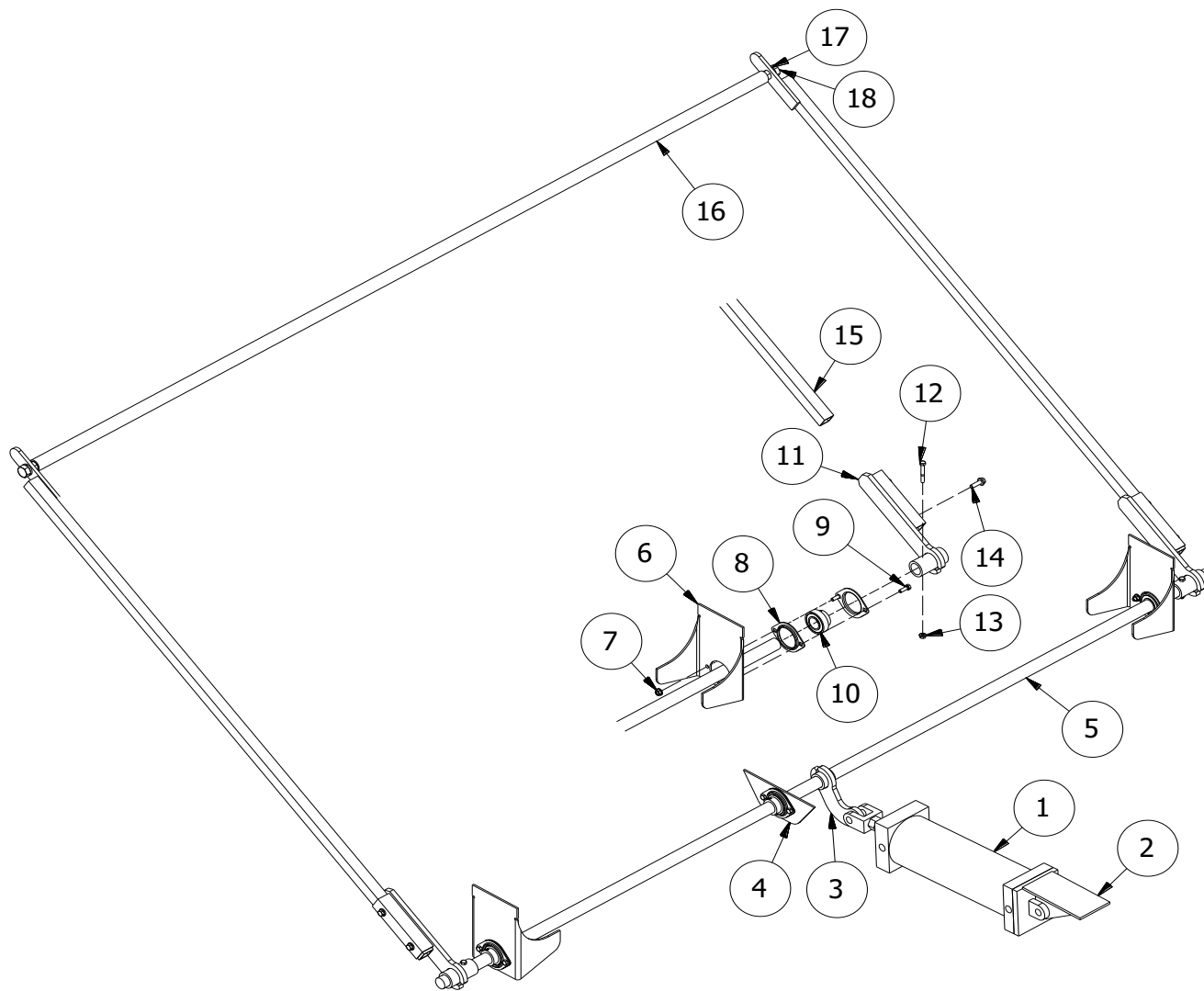
MIDLAND SK/XL1000 HORIZONTAL MOUNT PIVOT ARM ASSEMBLY

REF	PART #	DESCRIPTION	QTY
1	0105-000605	3/4"-10 x 1-3/4" GR5 - Hex Cap Screw - Bare - Obsolete	EACH
2	0101-001206	3/4" - Lock Washer - Plated	EACH
3	0002-060109	C - Air Flip Rear Crossmember c/w bolt & washer	EACH
4	0002-060205	Top Pivot Arm - Under - 120" - Air Flip -	EACH
5	0105-000202S	3/8"-16 x 1" GR8 - Hex Cap Screw - Serrated Flange (800/box)	EACH
6	0002-060201	Bottom Pivot Arm - MAF-Under	EACH
7	0105-000107	T-5/16"-18 x 2-1/4" GR5 - Hex Cap Screw - ZINC	EACH
8	0100-001101	5/16"-18 GR2 - Nylock Lock Nut - ZINC	EACH
9	0105-000202	3/8"-16 x 1" GR5 - Hex Cap Screw - Full Thread - ZINC	EACH
10	0100-001102	3/8"-16 GR2 - Nylock Lock Nut - ZINC	EACH
11	0115-000016	SA206-20 Self Aligning Bearing c/w Pillow Block	EACH
13	0002-060207	Mounting Bracket - SK2100 Pass.	EACH
14	0002-060206	SK2100 Driver Side Mounting Bracket (Air Flip)	EACH
15	0002-060208	Mounting Plate -SK2100 / XL2100	EACH
16	0002-060202	1 1/4" CR Shaft x 105"	EACH
17	0002-060222	Connecting Arm - Sideways Mount	EACH
18	0160-003038R0	4-3/4"x2-1/8" Washer Swivel Eye - 1/2" steel	EACH
19	0161-003006	Mounting Shaft - Cylinder Brkt lin - Horizontal AF	EACH
20	0002-060110	C - 1" Pin c/w cotter pin & washer	EACH
21	0112-000303	5/8"X6" Jaw to Jaw Turnbuckle	EACH
22	0002-060224	3/8" Chain x 28" Long	EACH
23	0112-000304	Double Clevis Link 7/16-1/2	EACH
24	0161-003007	Mounting Shaft - PA Brkt 1.25in - Horizontal AF	EACH
1-24	0002-060220	SK/XL1000 Horizontal Pivot Arm Assm - See B.O.M.'s	EACH
N/A	0002-060221	C - SK/XL1000 Horizontal PA&RT Assembly - Midland Part # 3800225 -	EACH
NON STOCK ITEM			
25	0600-000002A	5" x 20" Air Cylinder	EACH
ALUMINUM PIVOT ARM PARTS			
26	0002-060236	Bottom Cast Pivot Arm - Air Flip	EA
27	0105-000110	5/16"-18 x 3" GR5 - Hex Cap Screw - ZINC	EACH
28	0105-000112	5/16"-18 x 3-1/2" GR5 - Hex Cap Screw - ZINC	EACH
29	0002-061002	T - Dura - Aluminum Bottom Pivot Arm - 5'	EA
30	0002-061003	T - Dura - Aluminum Top Pivot Arm - 98"	EA
31	0113-000054	T - 1-3/4" Round Tube Insert- 43mm x 3-5ml	EA
32	0161-003018	T - Rear Crossmember Holder - Dura Flip	EA
33	0002-061004	C - Dura - 8' Aluminum Rear Crossmember c/w Plastic Plugs	EA
8-4+26-33	0002-060227	SK/XL1000 Horizontal Pivot Aluminum Arm Assm - See B.O.M.'s	EACH
N/A	0002-060228	C - SK/XL1000 Horizontal PA&RT Aluminum Assembly - Midland 3800369	EACH



ARNE'S / CITY OF WINNIPEG AIR FLIP PIVOT ARM ASSEMBLY

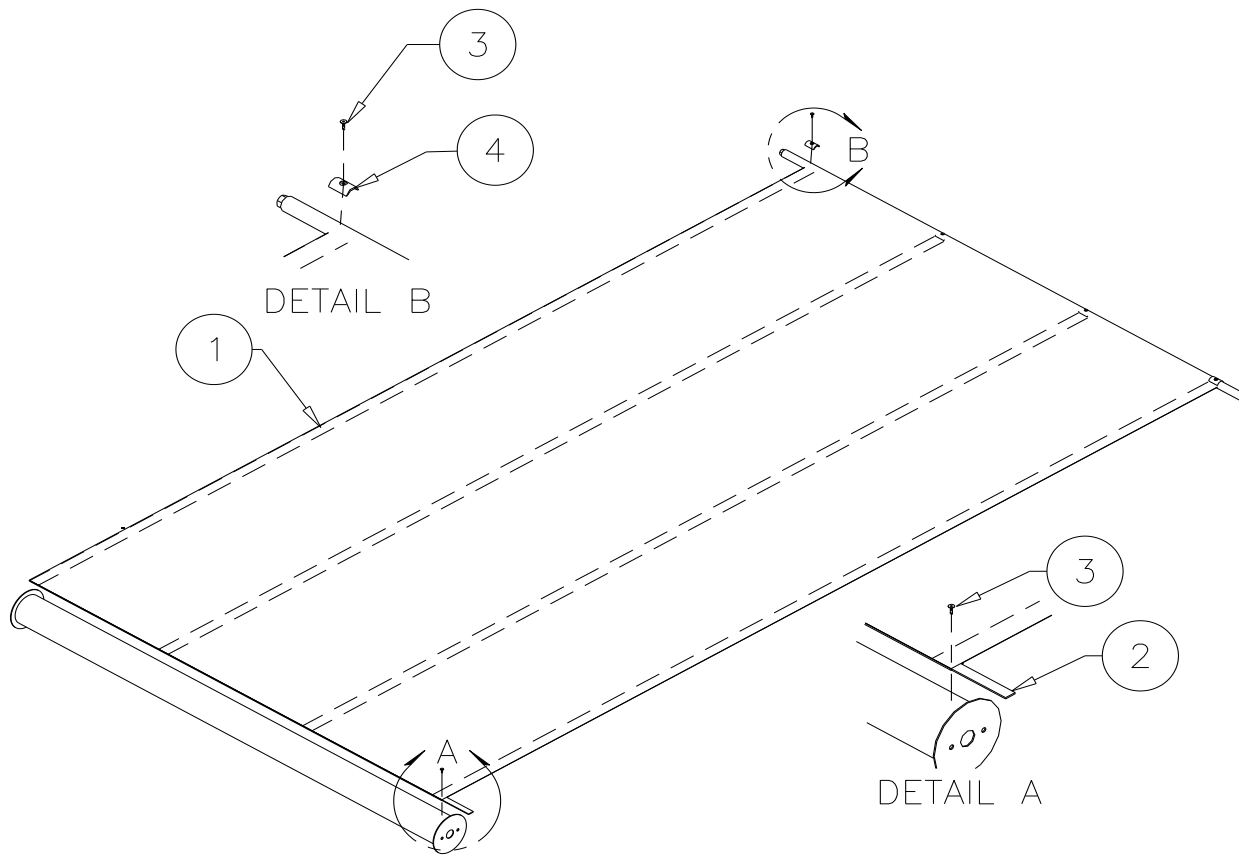
REF	PART #	DESCRIPTION	QTY
1	0002-060235	C - 5" x 14" Air Cylinder c/w Clevis	EA
2	0002-060234	Cylinder Mounting Bracket - 3"	EA
3	0002-060231	Connecting Arm - 5"	EA
4	0002-060208	Mounting Plate -SK2100 / XL2100	EACH
5	0002-060202	1 1/4" CR Shaft x 105"	EACH
6	0002-060238	Shaft Mounting Bracket - 4" Radius	EA
7	0100-001102	3/8"-16 GR2 - Nylock Lock Nut - ZINC	EACH
8	0115-000016	SA206-20 Self Aligning Bearing c/w Pillow Block	EACH
9	0105-000202	3/8"-16 x 1" GR5 - Hex Cap Screw - Full Thread - ZINC	EACH
10	0115-000016	SA206-20 Self Aligning Bearing c/w Pillow Block	EACH
11	0002-060201	Bottom Pivot Arm - MAF-Under	EACH
12	0100-001101	5/16"-18 GR2 - Nylock Lock Nut - ZINC	EACH
13	0100-001101	5/16"-18 GR2 - Nylock Lock Nut - ZINC	EACH
14	0106-000016	3/8" x 1-1/4" - HWH - Thread Cutting Bolt - Type T	EACH
15	0002-060205	Top Pivot Arm - Under - 120" - Air Flip -	EACH
16	0002-060109	C - Air Flip Rear Crossmember c/w bolt & washer	EACH
17	0101-001206	3/4" - Lock Washer - Plated	EACH
18	0105-000605	3/4"-10 x 1-3/4" GR5 - Hex Cap Screw - Bare - Obsolete	EACH



AR-4640129/159 USES BRKTS REF#6 - CITY OF WINNIPEG
 AR-4640133/162 DO NOT USE BRKTS REF#6

REPLACEMENT MATERIAL & COMPONENTS

REF	PART #	DESCRIPTION	QTY
ANY TARPS UNDER 16' WILL BE PRICED AS BEING 16' LONG			
1	RFTV-XX	20oz Vinyl Flip Tarp Replacement Tarp - XX = FM Length of Tarp (Min Retail \$304)	LIN. FT
N/A	RFTV2-XX	22oz Vinyl Flip Tarp Replacement Tarp - XX = FM Length of Tarp (Min Retail \$336)	LIN. FT
N/A	RFTM-XX	Mesh Flip Tarp Replacement Tarp - XX = FM Length of Tarp (Min Retail \$224)	LIN. FT
N/A	RFTN-XX	Neoprene Flip Tarp Replacement Tarp - XX = FM Length of Tarp (Min Retail \$624)	LIN. FT
N/A	RFTA-XX	Asphalt Flip Tarp Replacement Tarp - XX = FM Length of Tarp (Min Retail \$304)	LIN. FT
N/A	RFTGM-XX	Gorilla Mesh Flip Replacement Tarp - XX = FM Length of Tarp (Min Retail \$368)	LIN. FT
2	0002-073001	88" Fiberglass Flat c/w 10 - 0106-000011 - Wafer Screws	EACH
3	0106-000011	#10-24 x 3/4" - Wafer Head - Square - Self Drilling Screw - ZINC	EACH
4	0113-000036B	T - Retainer Clip - Small- Screws sold separate	EACH



AIR COMPONENTS

REF	PART #	DESCRIPTION	QTY
1	0600-000021	Humphrey 420 Inline Solenoid Valve - 12V DC	EACH
2	0600-000024	420 Solenoid Valve Brkt	EA
3	0106-000030	#8-32 x 1-1/2" - Robertson Machine Screw	EACH
4	0106-000031	#8-32 - Lock Nut	EACH
5	0600-000022	Speed Control Muffler - 1/4" Male Pipe	EACH
6	0600-000009	Conn. Tube to Male Pipe 3/8-1/4	EACH
7	0600-000012	Air Brake Tubing - 3/8" 500 ft/Reel	Feet
8	0600-000020	90 Degree Elbow Tube to Male Pipe 3/8-1/2	EACH
9	0145-300018	18-14 AWG Gel Filled Wire Tap -Pico	EACH
10	0145-600002	12VDC Rocker Switch - On-Off	EA
11	0145-300016	16-14 Female Quick Disconnects 3/16" 0.25 tab OBSOLETE Use 0145-100049	EACH
12	0145-600003	In Line Blade Fuse Holder for 1 Amp Fuse	EA
13	0145-600004	1 Amp Blade Fuse - 5/PK (Check Stock)	EACH
14	0145-600001	T - 16-14Ga Stud - 3/8" Ring Terminal	EA
15	0145-600005	O-Wire- 14-2 SJOW 76 mtrs./spool	ft.
1-15	0002-060240	C - Single Cylinder Air Kit Only - Electric Valve, Hose, Fittings, Switch, Wire	EA
18	0002-060235	C - 5" x 14" Air Cylinder c/w Clevis	EA
DUAL CYLINDER COMPONENTS			
16	0600-000008	Tee Tube 3 Ends-3/8"	EACH
17	0600-000025	Conn. Tube to Male Pipe 3/8-3/8	EACH
1-17	0002-060241	C - Dual Cylinder Air Kit Only - Electric Valve, Hose, Fittings, Switch, Wire	EA
19	0600-000002	3" x 33" Pneumatic Cylinder	EACH

