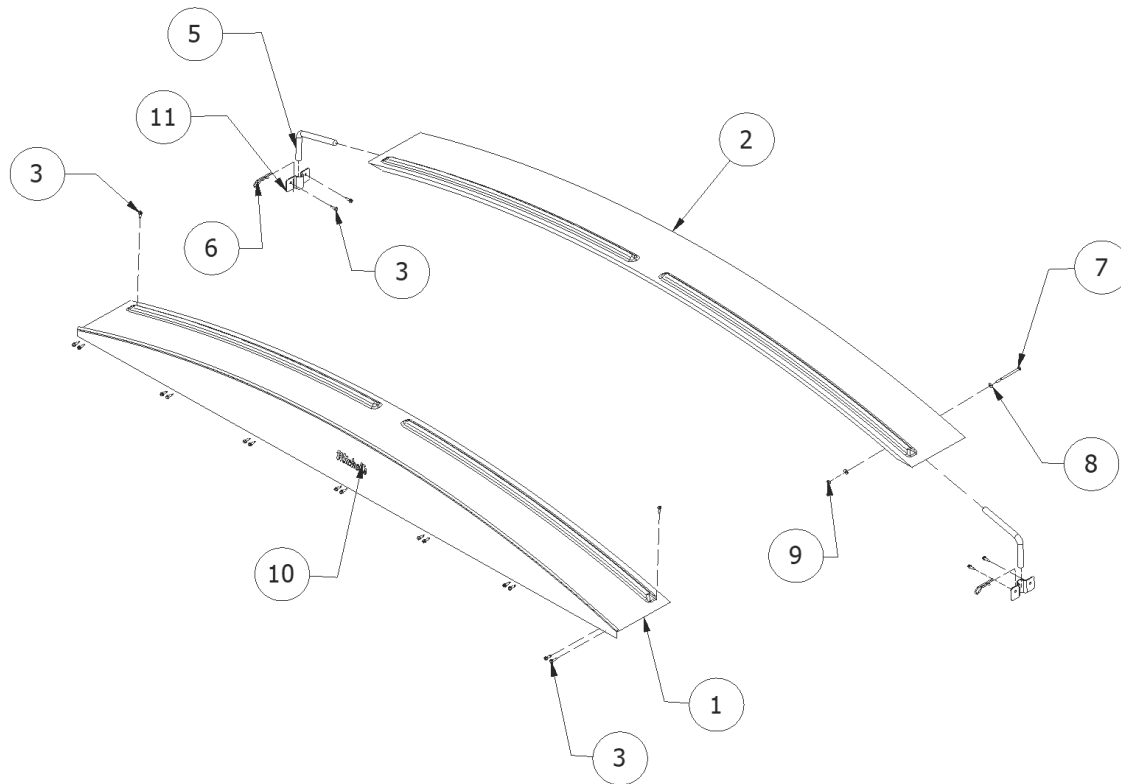


FARM FRONT AND REAR HOOD ASSEMBLY

REF	PART#	DESCRIPTION	UOM	RETAIL
1	0001-010865	Farm Front Aluminum Hood c/w Michel's Decal (Lags sold separate)	EACH	
2	0001-010866	C - Farm Rear Alum. Hood c/w Bent Angles & Hdw	EACH	
3	0106-000005	1/4" x 1" - Tek Screw w/ Washer (install lag screw)	EACH	
5	0001-060001	Bent Angle - 3/4" Galvanized Steel	EACH	
6	0110-000005	#9 x 3-5/16" - Hitch Pin Clip - YZ	EACH	
N/A	0110-000006	1/4" x 1-1/4" - Slotted Roll Pin - BARE	EACH	
7	0105-000015	1/4"-20 x 4" GR5 - Hex Cap Screw - ZINC	EACH	
8	0101-001000	1/4" USS - Flat Washer - ZINC	EACH	
9	0100-001000	1/4"-20 GR2 - Hex Nut - ZINC	EACH	
10	0114-000014	Michels Front Hood Decal	EACH	
N/A	0114-000001	Rear Hood Decal "Select"	EACH	
N/A	0114-000002	Rear Hood Decal "Electra"	EACH	
N/A	0114-000013	Maximizer Rear Hood Decal	EACH	
N/A	0114-000015	Load-Loc Decals	EACH	
11	0001-060002	T-Hoop Holder (Lags sold separate)	EACH	
N/A	0001-010102	C - Farm/Semi Front Hood Moulding c/w Rivets	EACH	
N/A	0113-000014	Side Rolling Hood Moulding	FOOT	



NOTE: SPECIFY MAKE, MODEL, AND YEAR OF BOX

SEMI FRONT AND REAR HOOD ASSEMBLY (RATCHET STYLE)

REF	PART#	DESCRIPTION	UOM	RETAIL
1	0001-011861	Semi Front Aluminum Hood - Ratchet Style -	EACH	
2	0001-011862	Semi Rear Aluminum Hood - Ratchet Style -	EACH	
N/A	0103-000001	1/8" Alum. Rivet (hoodmoulding) BAA46	EACH	
N/A	0114-000013	Maximizer Rear Hood Decal	EACH	
7	0111-000001	2" x 130MM - Ratchet - 3300# CAP - YZ (BOLTS MUST BE TIGHT)	EACH	
8	0111-000002	2" - Narrow Double "J" Hook - 1500# CAP - YZ	EACH	
9	0001-010018	2" Ratchet & 9" Strap C/W: Hook	EACH	
10	0001-0100XX	2" Ridge Pole Strap & Hook - 'XX' is the Length Required	FT	

FRONT AND REAR HOOD ASSEMBLY (SPLIT DRIP PIPE STYLE)

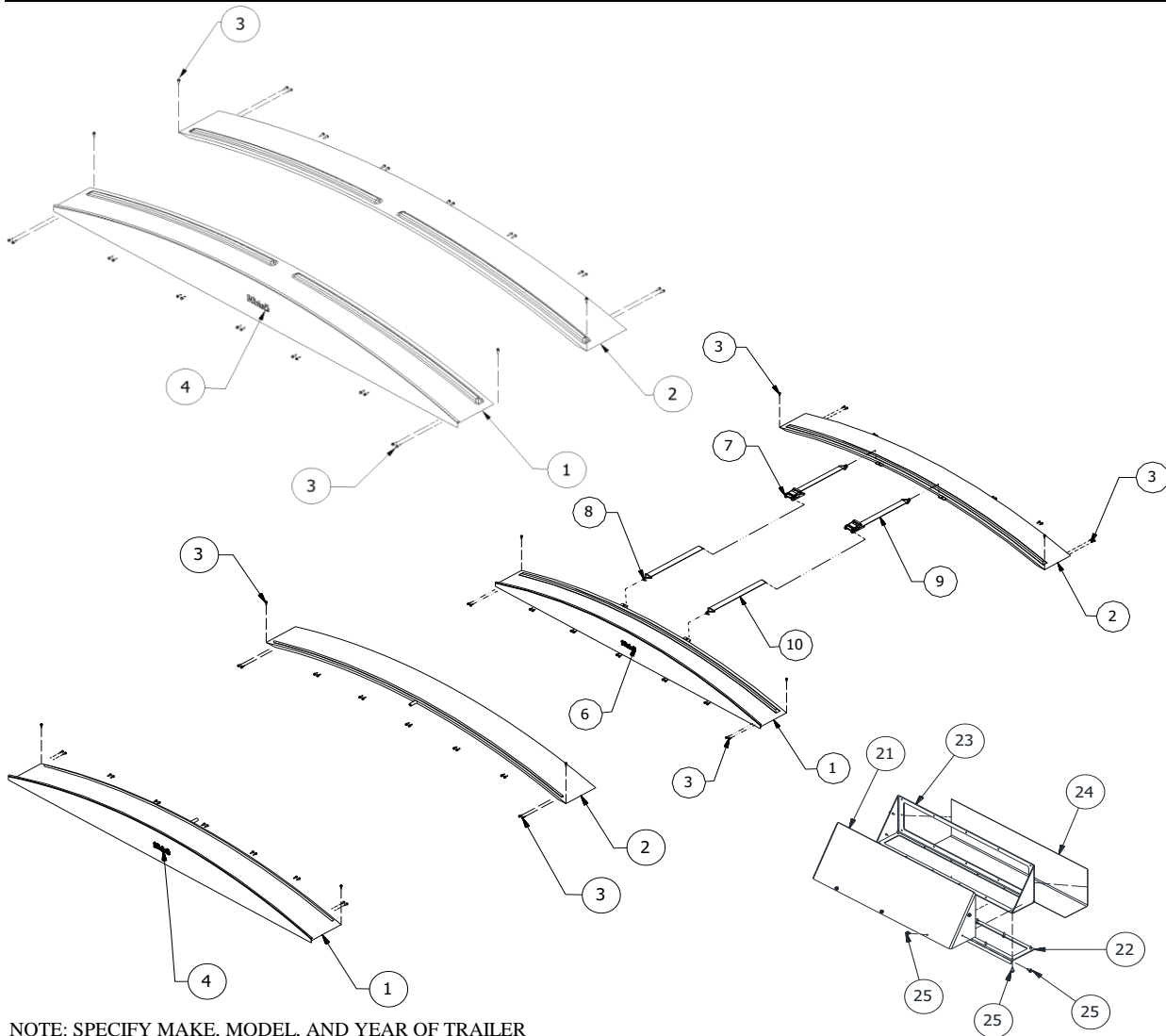
1	0001-012861	Semi Front Aluminum Hood - Split Drip Pipe Style -	EACH	
2	0001-012862	Semi Rear Aluminum Hood - Split Drip Pipe Style -	EACH	

FRONT AND REAR HOOD ASSEMBLY (CENTER RIDGE POLE STYLE)

1	0001-013861	Semi Front Aluminum Hood -Steel Ridge Pole Welded in Trailer Style-	EACH	
2	0001-013862	Semi Rear Aluminum Hood - Steel Ridge Pole Welded in Trailer Style-	EACH	

VENTED HOOD EXTERIOR PARTS

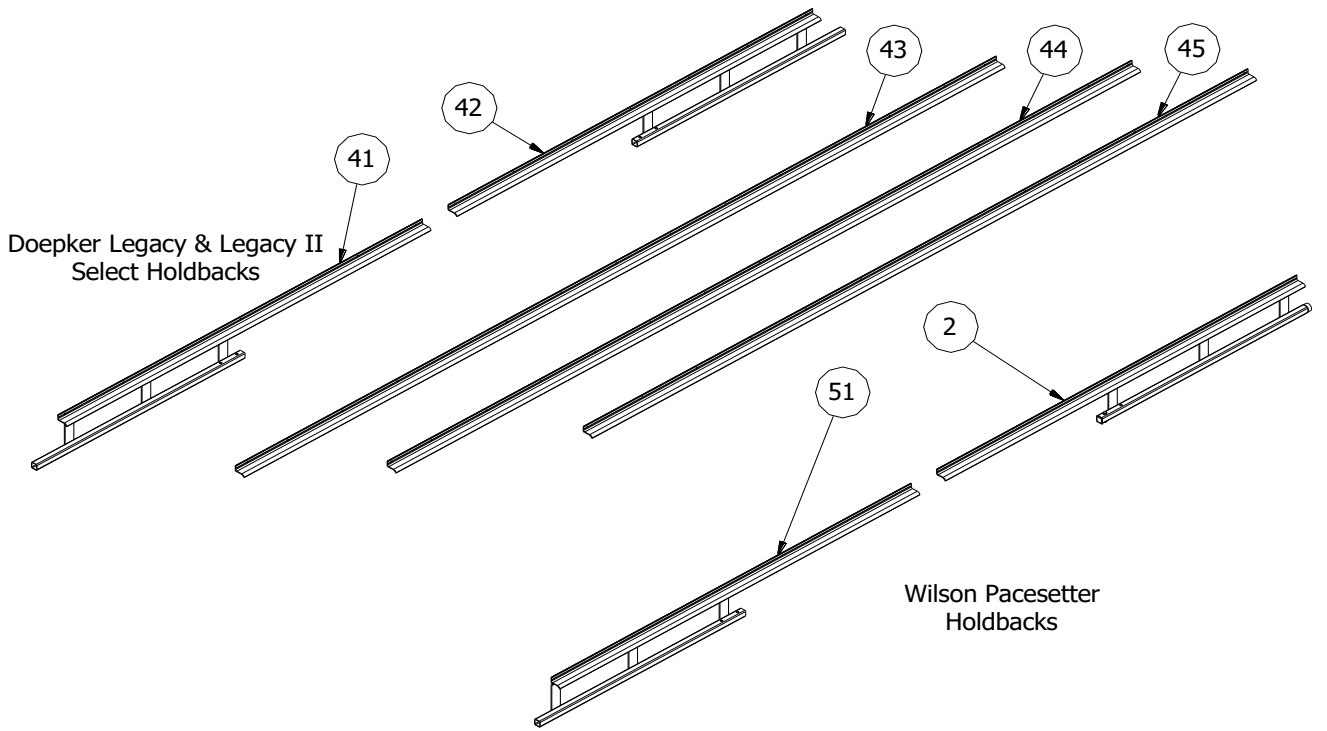
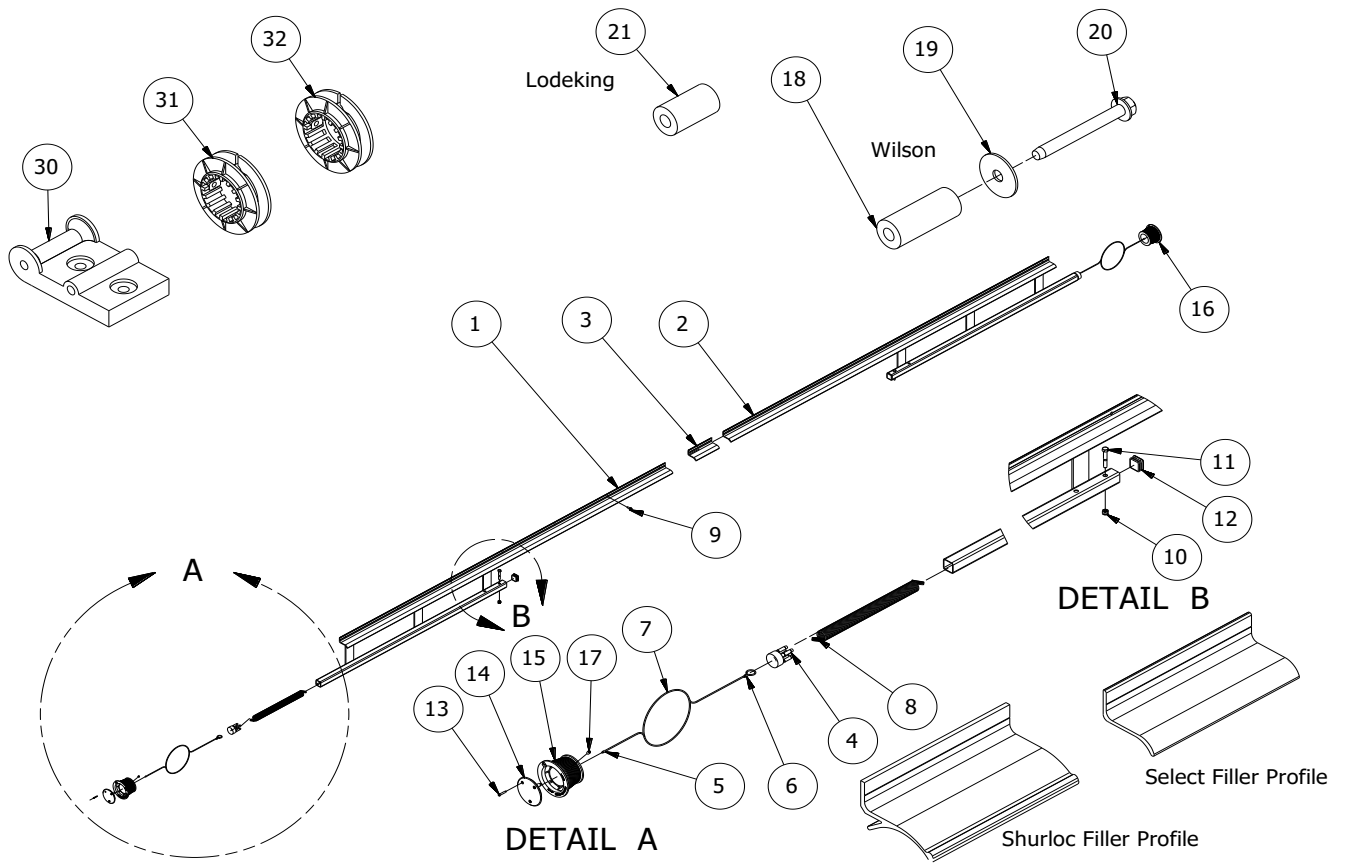
21	0001-011731	Outside Vent Cover	EACH	
22	0001-011735	Bottom Screen Frame for Double Screen	EACH	
23	0001-011736	Double Screen Frame	EACH	
24	0001-011732	Frog Skin Screen - 7-3/4" x 18-1/8"	EACH	
25	0106-120017	#8-18 x 1/2" - HWH Self Drilling Screw - 410 SS (Vented Hoods)	EA	



NOTE: SPECIFY MAKE, MODEL, AND YEAR OF TRAILER

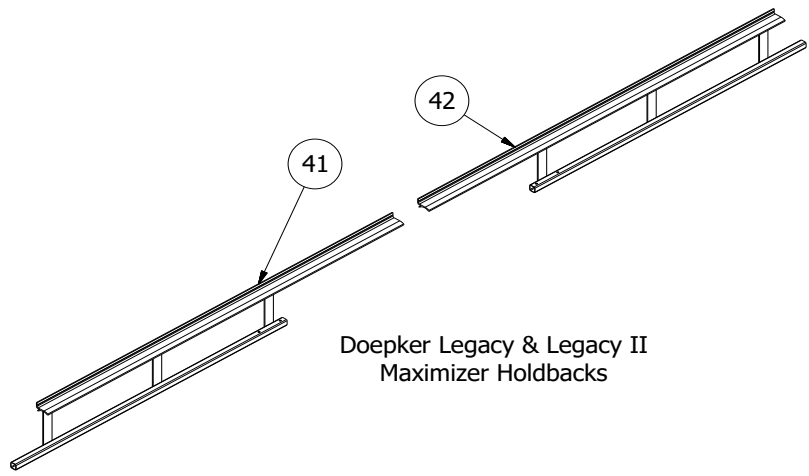
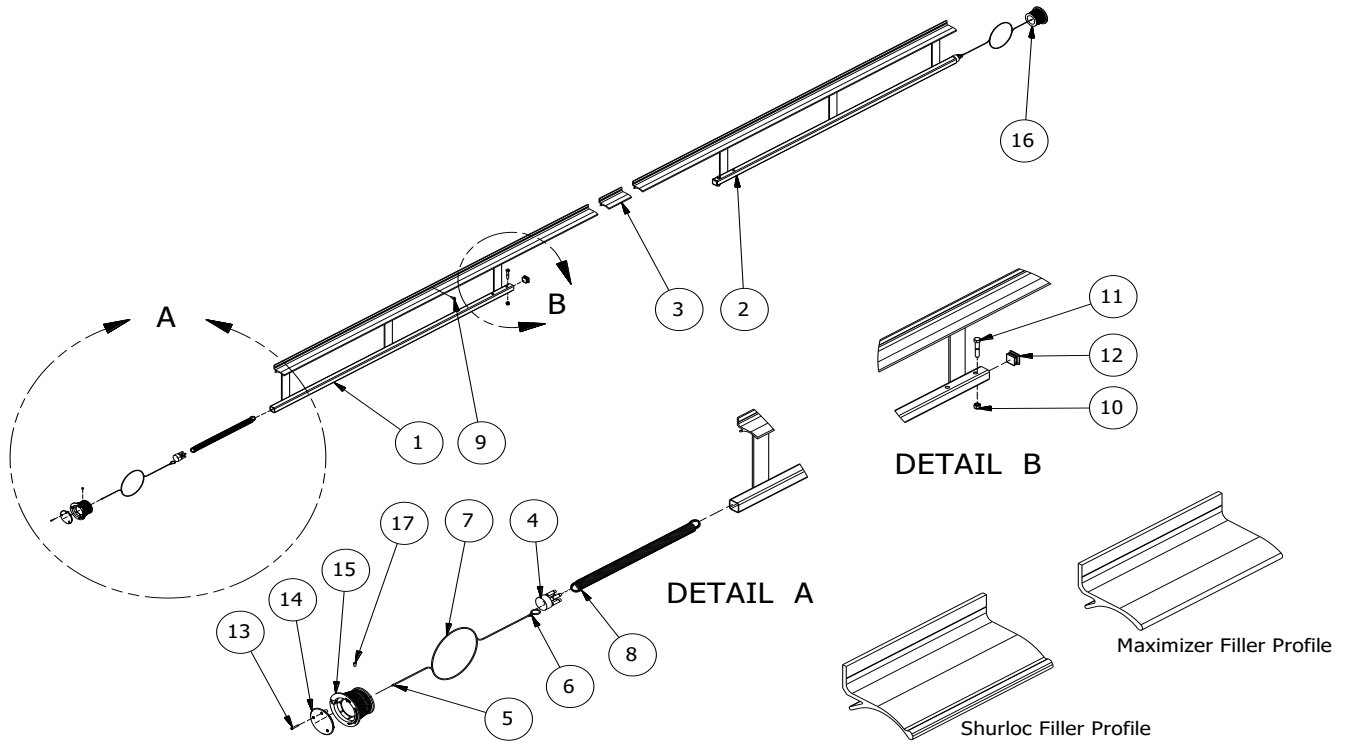
SELECT HOLDBACK ASSEMBLY

REF	PART#	DESCRIPTION	UOM	RETAIL
1	0001-020202	Al. Front Holdback-Shell Select	EACH	
N/A	0001-020251	Al. Rear Holdback-Select Shell Only	EACH	
N/A	0001-020201	C - Complete Front Alum. SELECT Holdback. C/W: Bev. Pulley & Cap.	EACH	
2	0001-020250	C - Complete Rear Alum. SELECT Holdback. C/W: Bev. Pulley.	EACH	
3	0151-900000A	Select Filler Plate - Alum. / FT	FT	
N/A	0001-020200	C - Complete Set of Al. Select Holdback *ASSEMBLY* - SELECT -	EACH	
4	0113-000010	T-Cable Guide Insert - Black	EACH	
N/A	0116-003003SS	3/32" 7x7 Cable Type 304 Stainless Steel- 5000 ft/spool	FT	
5	0116-003107	3/32" Copper Stop (Single Wire)	EACH	
6	0116-003108	3/32 Copper Oval Sleeve (Double Wire)	EACH	
7	0001-020017	Select STAINLESS STEEL 11'11" Cable with Copper Ends	EACH	
4-7	0001-020027	C - Select 11'11" Stainless Steel Cable & Cable Guide Installed onto Cable	EA	
8	0117-001000	SELECT.092x1x13.57 Extension Spring	EACH	
9	0106-000005	1/4" x 1" - Tek Screw w/ Washer (install lag screw)	EACH	
10	0100-001102	3/8"-16 GR2 - Nylock Lock Nut - ZINC	EACH	
11	0105-000206	3/8"-16 x 2" GR5 - Hex Cap Screw - ZINC	EACH	
12	0113-000000	1-1/4" - Square Tube Plug - Ribbed - Black	EACH	
13	0106-000004	#6-18 x 1" - Flat Head - Phillips - Sheet Metal Screw - 18.8 SS	EACH	
14	0001-020008	T-Bevelled Pulley End Cap c/w 3 - #6 x 1" flat head sheet metal screws	EACH	
15	0001-020006	T-Front Std. Bevelled Pulley c/w Set Screws	EACH	
16	0001-020007	T-Front Rev. Bevelled Pulley c/w Set Screws	EACH	
17	0104-000002	1/4"-20 x 3/8" - Socket Set Screw - Knurled Cup Point - BARE	EACH	
18	0113-000502	Cable Guide (Spacer- 1" x 2.5" UHMPE- Natural) (Wil)	EA.	
19	0001-011751	Washer for Cable on Vented Flush Mounted Hoods	EACH	
20	0106-000043	3/8" x 3-1/2" - HWH Type F Thread Cut Bolts (300/Box)	EACH	
21	0113-000500	Cable Guide (Spacer - 1" x 1.75" UHMPE - Nateral (LK&DPK)	EA.	
N/A	0001-020206	C - Complete Front SELECT Holdback Assembly BUT ***LESS LOCKING FLANGE***	EACH	
N/A	0001-020253	C - Complete Rear SELECT Holdback Assembly BUT ***LESS LOCKING FLANGE***	EACH	
N/A	0001-020205	C - Complete SET of SELECT Holdback Assembly BUT ***LESS LOCKING FLANGE***	SET(S)	
30	0113-000026	***UNIVERSAL*** Guide for Cable - Bolt On -Glass Filled	EACH	
31	0001-020011	Hub Spool Narrow Cable Pulley - Front	EACH	
32	0001-020012	Hub Spool Narrow Cable Pulley - Rear	EACH	
40	0118-000008	Shurlok Locking Flange - SOLD BY THE FOOT Comes In 8 ft /Lgth	FT	
41	0001-020212	Legacy II Semi Front Select Holdback Assembly (less pulley)	EACH	
42	0001-020262	Legacy II Semi Rear Select Holdback Assembly (less pully)	EACH	
43	0151-900015	Select 175-1/2" Select Filler C/W Pre-Drilled 16 holes	LGTH	
44	0001-020215	Legacy II 45' Bulker Pre-Drilled Select Filler - 171-3/4" (1-7/8" off ea side)	EACH	
45	0001-020214	Legacy II 26' 8" Lead Pre-Drilled Select Filler - 153-1/4" (11-1/8" off ea side)	EACH	
51	0001-020209	Wilson Pacesetter Front Select Holdback Assembly (less pulley)	EACH	



MAXIMIZER HOLDBACK ASSEMBLY

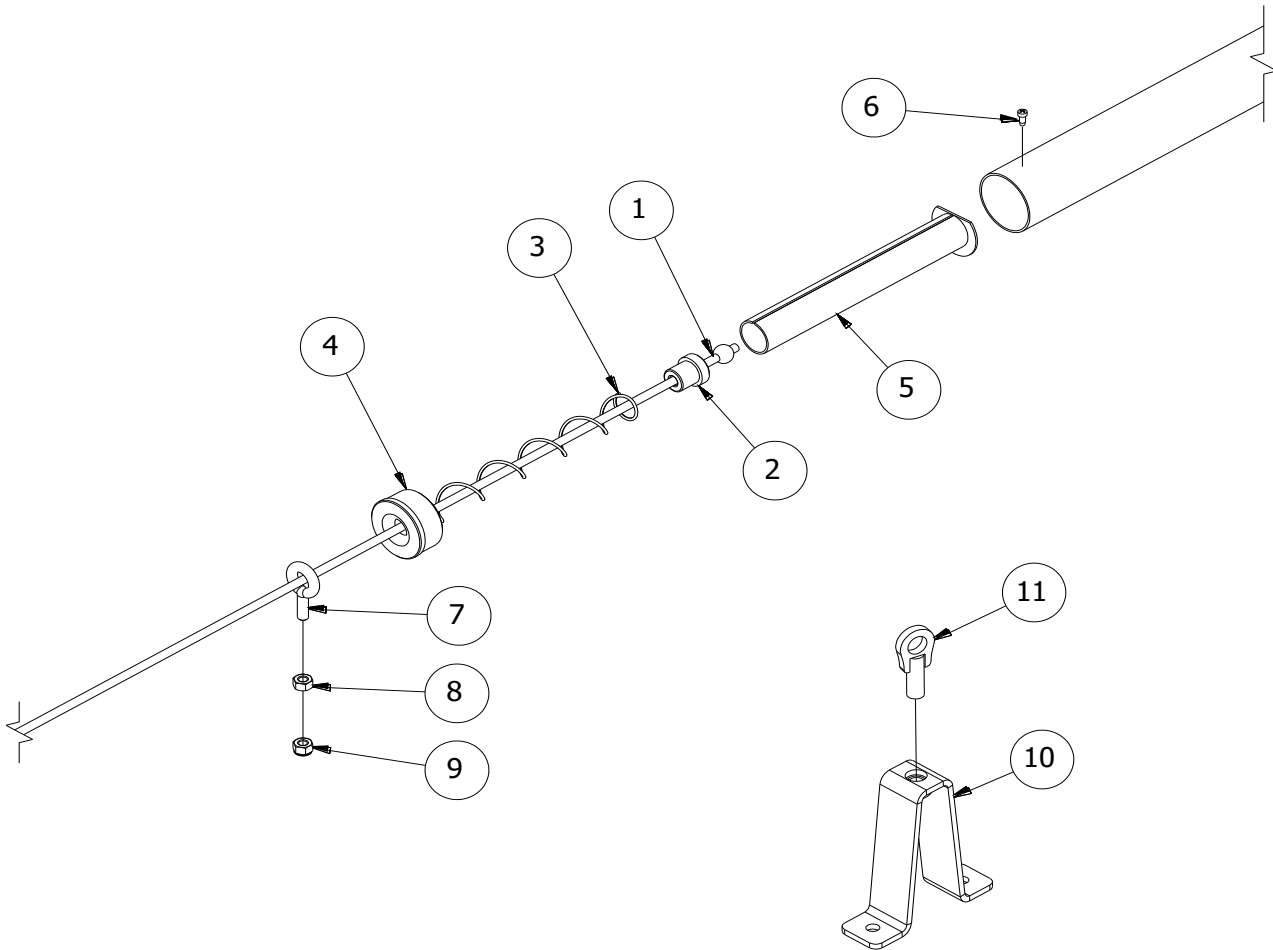
REF	PART#	DESCRIPTION	UOM	RETAIL
1	0001-020302	MAXIMIZER - AlumFront Holdback-Shell Only MAXIMIZER	EACH	
N/A	0001-020351	Alum Holdback Shell -Rear Max	EACH	
N/A	0001-020301	C - Complete Front Alum MAXIMIZER Holdback. C/W: Bev Pulley	EACH	
2	0001-020350	C - Complete Rear Alum. MAXIMIZER Holdback. C/W: Bev. Pulley.	EACH	
3	0151-900003A	Maximizer Latch Plate / ft	FT	
N/A	0001-020300	C - Complete Set of Aluminum Holdback *ASSEMBLY* - MAXIMIZER -	EACH	
4	0113-000010	T-Cable Guide Insert - Black	EACH	
5	0116-003107	3/32" Copper Stop (Single Wire)	EACH	
6	0116-003108	3/32 Copper Oval Sleeve (Double Wire)	EACH	
7	0116-003003SS	3/32" 7x7 Cable Type 304 Stainless Steel- 5000 ft/spool	FT	
5.7	0001-020016	Maximizer STAINLESS STEEL 12'11" Cable with Copper Ends	EACH	
4-7	0001-020026	C - Maximizer 12'11" Stainless Steel Cable & Cable Guide Installed onto Cable	EA	
8	0117-001001	T - MAXIMIZER .092x1x16.57 Ext. Spring	EACH	
9	0106-000005	1/4" x 1" - Tek Screw w/ Washer (install lag screw)	EACH	
10	0100-001102	3/8"-16 GR2 - Nylock Lock Nut - ZINC	EACH	
11	0105-000206	3/8"-16 x 2" GR5 - Hex Cap Screw - ZINC	EACH	
12	0113-000000	1-1/4" - Square Tube Plug - Ribbed - Black	EACH	
13	0106-000004	#6-18 x 1" - Flat Head - Phillips - Sheet Metal Screw - 18.8 SS	EACH	
14	0001-020008	T-Bevelled Pulley End Cap c/w 3 - #6 x 1" flat head sheet metal screws	EACH	
15	0001-020006	T-Front Std. Bevelled Pulley c/w Set Screws	EACH	
16	0001-020007	T-Front Rev. Bevelled Pulley c/w Set Screws	EACH	
17	0104-000002	1/4"-20 x 3/8" - Socket Set Screw - Knurled Cup Point - BARE	EACH	
N/A	0001-020305	C - Complete Front MAXIMIZER Holdback Assembly BUT ***LESS LOCKING FLANGE***	EACH	
N/A	0001-020353	C - Complete Rear MAXIMIZER Holdback Assembly BUT ***LESS LOCKING FLANGE***	EACH	
N/A	0001-020303	C - Complete SET of MAXIMIZER Holdback Assembly BUT ***LESS LOCKING FLANGE***	SET(S)	
40	0118-000008	Shurlok Locking Flange - SOLD BY THE FOOT Comes In 8 ft /Lgth	FT	
41	0001-020308	Legacy II MAXIMIZER Front Holdback Assembly w/o Pulley	EACH	
42	0001-020355	Legacy II MAXIMIZER Rear Holdback Assembly w/o Pulley	EACH	



Doepker Legacy & Legacy II
Maximizer Holdbacks

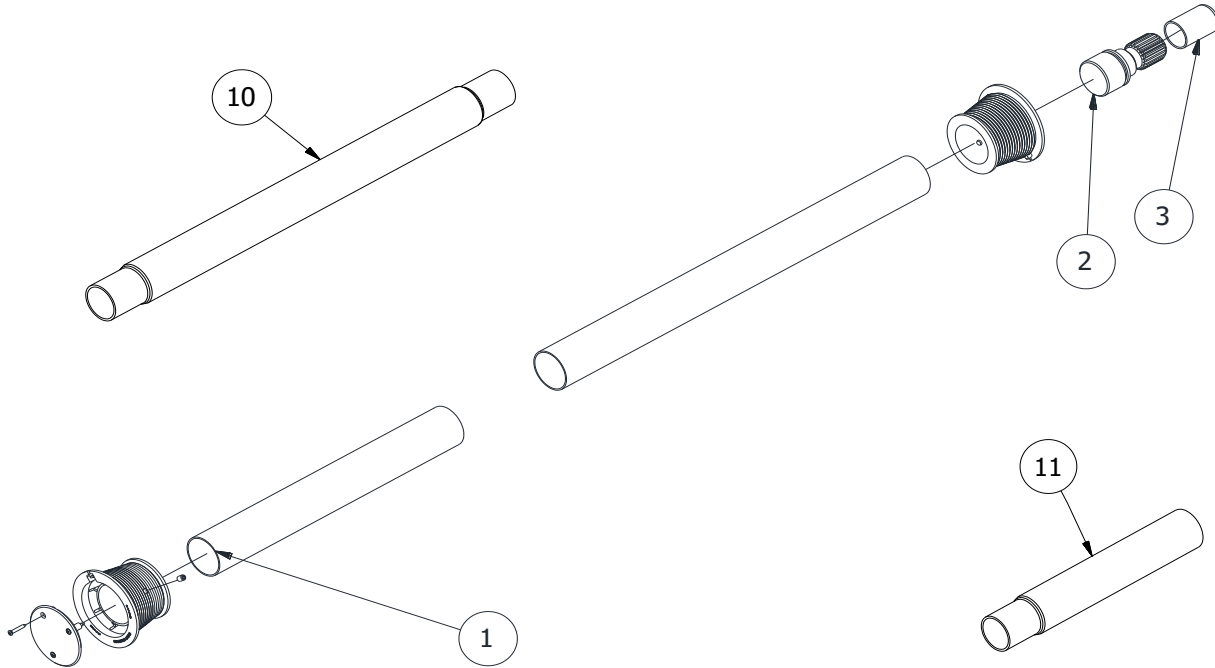
LOAD-LOC RETURN ASSEMBLY

REF	PART#	DESCRIPTION	UOM	RETAIL
1	0119-000005	1/4" solid braid nylon cord (12' Required for Load-Loc)	FT	
2	0113-000028	Load Loc Spring Slide	EACH	
3	0117-002100	Load-Loc Compression Spring	EACH	
4	0113-000029	Load-Loc End Plug	EACH	
5	0001-020601	Load-Loc Tube with Ends Welded	EACH	
6	0119-000002	#8-32 x 3/8" - Pan Head - Phillips - Thread Cutting Screw - Type 1 - YZ	EACH	
7	0119-000000	5/16-18 x 1" Shank Turned Eyebolt	EACH	
8	0100-001001	5/16"-18 GR2 - Hex Nut - ZINC	EACH	
9	0100-001101	5/16"-18 GR2 - Nylock Lock Nut - ZINC	EACH	
1-9	0001-020600	C - Load-Loc Return *ASSEMBLY*	EACH	
10	0001-030011	5" Mounting Bracket	EACH	
11	0001-020620	1/2" Enviro Eye Bolt for Enviro I	EA	



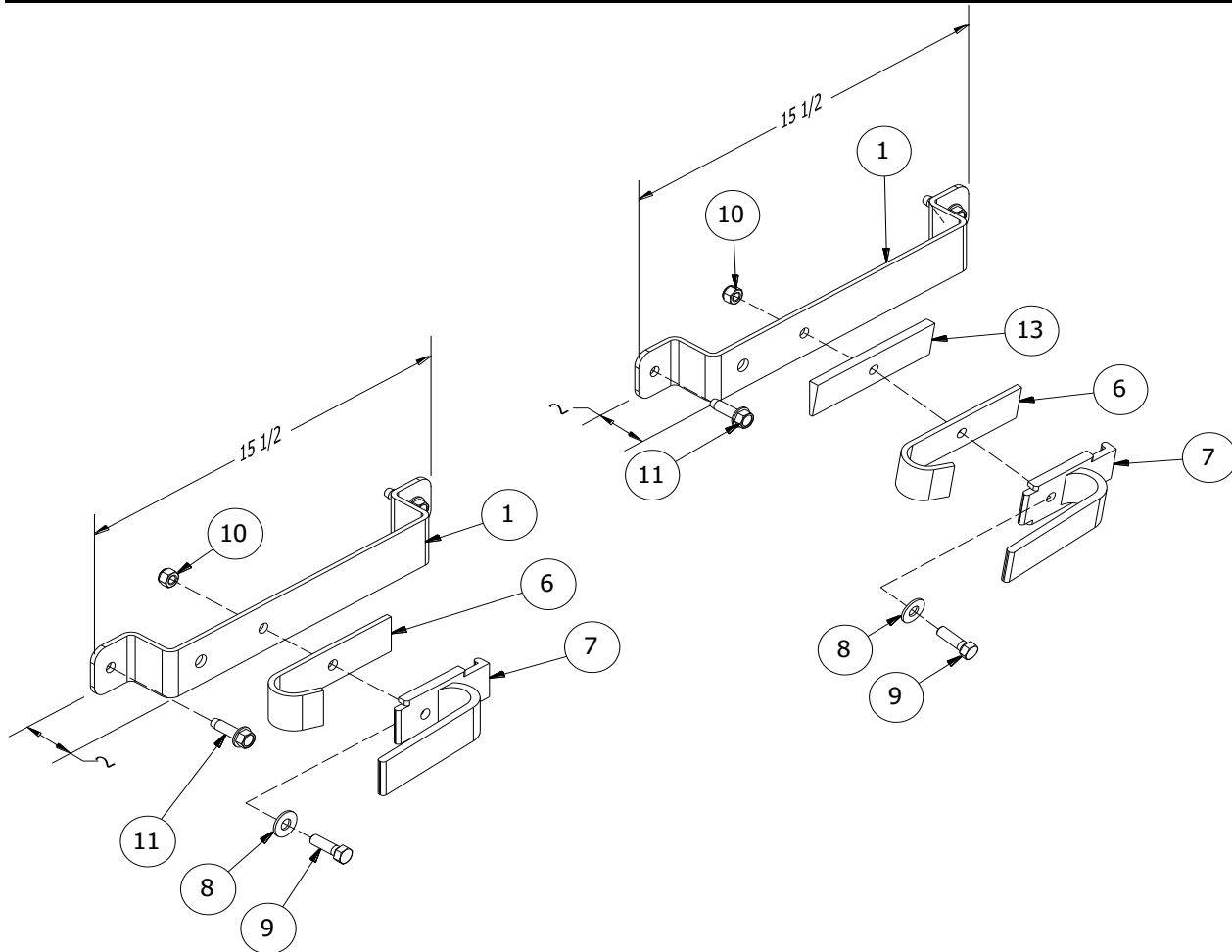
ROLLTUBE ASSEMBLY

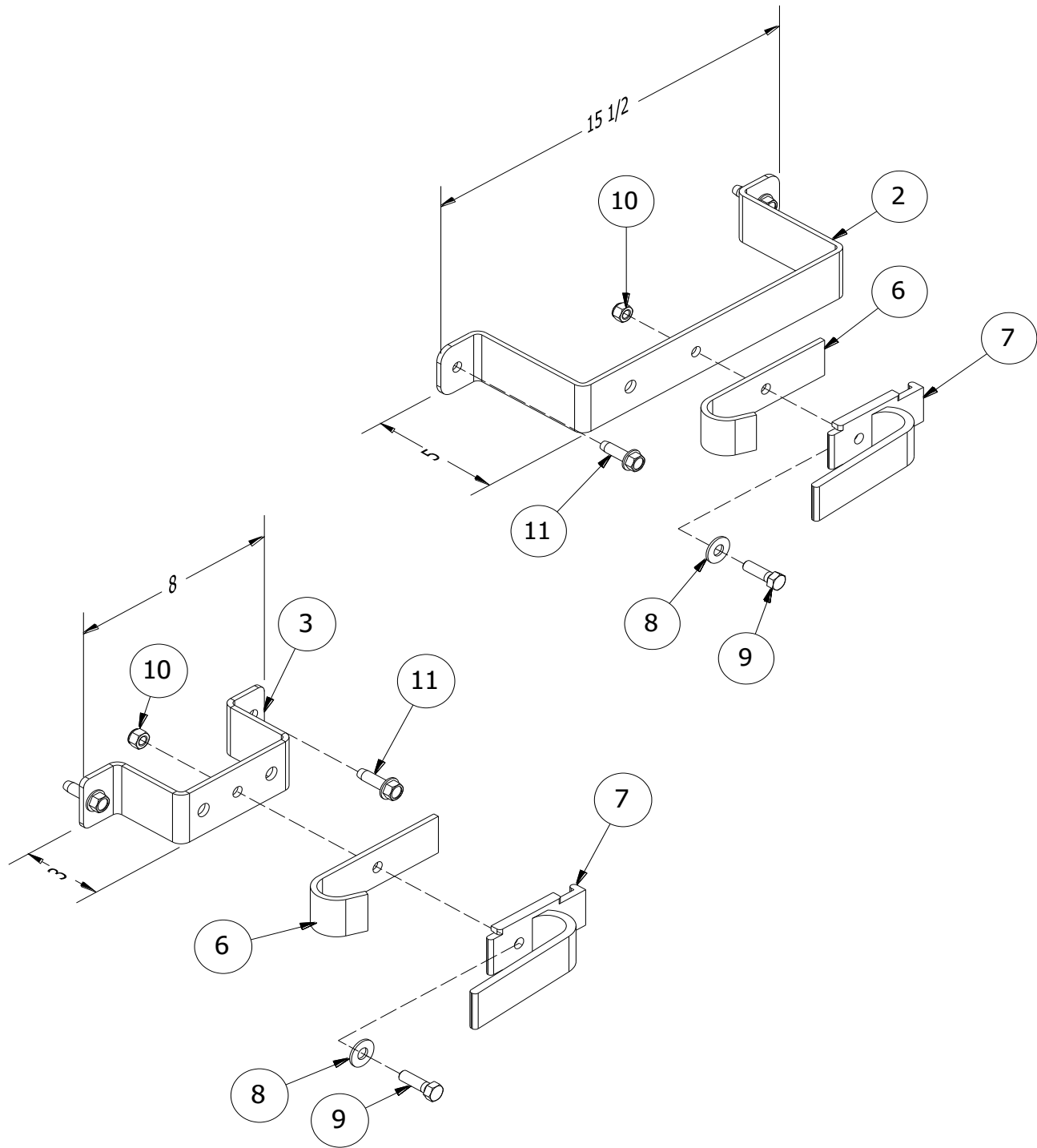
REF	PART#	DESCRIPTION	UOM	RETAIL
1	0150-001006B	T - Roll Tube Only / ft.	FT.	
2	0161-001004	T - Select Weld in Spline only Whit Zinc Pltd.	EACH	
3	0113-000021	Spline Cover	EACH	
1-3	0001-0500XX	2" Rolltube c/w Spline & Cover - 'XX' is the length of Rolltube	Ft	
10	0001-050002	2" x 2' long Rolltube Splicer (crimped both ends) (Cut R.T. at 28")	EACH	
11	0001-050001C1	2" Roll Tube x 12" long (crimped ONE end)	EACH	

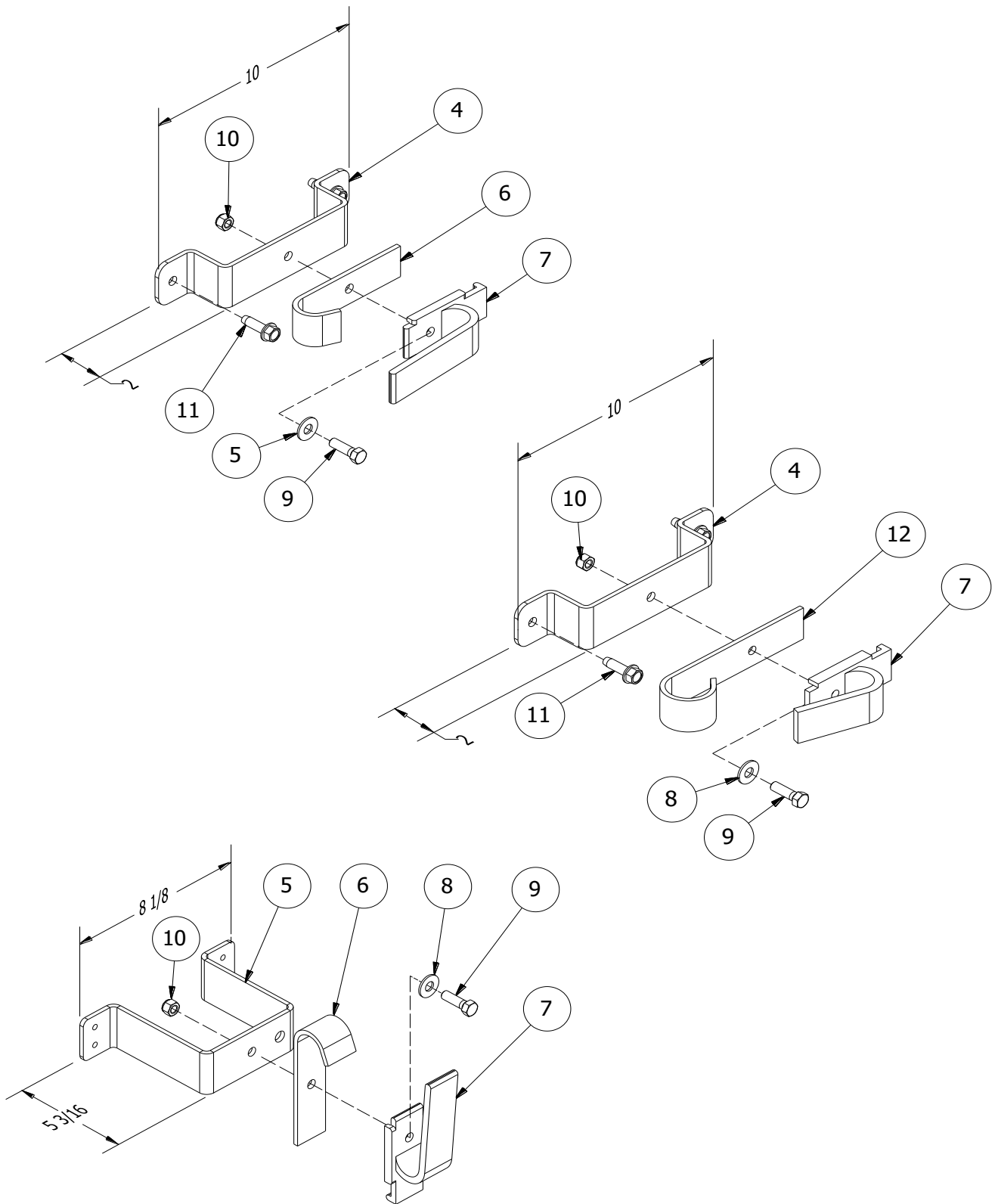


CRANK HANDLE HOLDER ASSEMBLY

REF	PART#	DESCRIPTION	UOM	RETAIL
1	0001-030002	2" x 15-1/2" Crank Handle Holder Bracket	EACH	
2	0001-030007	5" x 15-1/2" Crank Handle Holder Bracket Only	EACH	
3	0001-030003	3" x 8" Crank Handle Holder Bracket Only	EACH	
4	0001-030001	2" x 10" Crank Handle Bracket Only	EACH	
5	0001-030016	5-3/16" x 8-1/8" Spring Lock Bracket (Legacy II)	EACH	
6	0001-030004	Steel Retainer Black Powder Coated (Tobaggan)	EACH	
7	0113-000005	Plastic Crank Lock Retainer	EACH	
8	0101-001002	3/8" USS - Flat Washer - ZINC	EACH	
9	0105-000203	3/8"-16 x 1-1/4" GR5 - Hex Cap Screw - Full Thread - ZINC	EACH	
10	0100-001102	3/8"-16 GR2 - Nylock Lock Nut - ZINC	EACH	
11	0106-000016	3/8" x 1-1/4" - HWH - Thread Cutting Bolt - Type T	EACH	
12	0001-030901	Silage Tobaggan	EACH	
13	0001-030202	Commander Black Wedge - 10 degree	EACH	
N/A	0114-000007	Semi Trailer & FARM Crank Handle Warning Decal NEW	EACH	
6-10	0001-030000	Crank Handle Holder (Assembled Plastic and Toboggan) c/w bolt	EACH	
1+6-10	0001-030200	2" x 15-1/2" Crank Handle Holder & Bracket (Assembly)	EACH	
1+6-10+13	0001-030201	COMMANDER - 2" x 15-1/2" Crank Handle Holder, Black Wedge & Bracket	EACH	
2+6-10	0001-030500	5" x 15-1/2" Crank Handle Holder & Bracket (Assembly)	EACH	
3+6-10	0001-030600	3" x 8" Crank Handle Holder & Bracket (Assembly)	EACH	
4+6-10	0001-030100	2" x 10" Crank Handle Holder & Bracket (Assembly)	EACH	
4+7-10+12	0001-030900	Silage Crank Handle Holder **Assembly** C/W: 2" x 10" Bracket	EACH	
5-10	0001-030601	5-3/16" x 8-1/8" Crank Handle Holder & Bracket - Legacy	EACH	

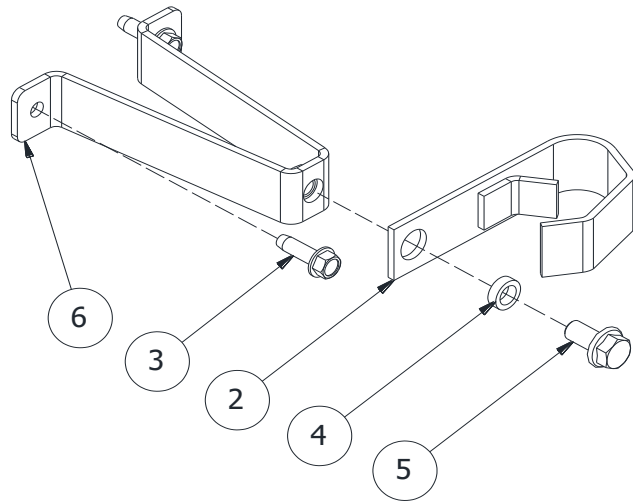
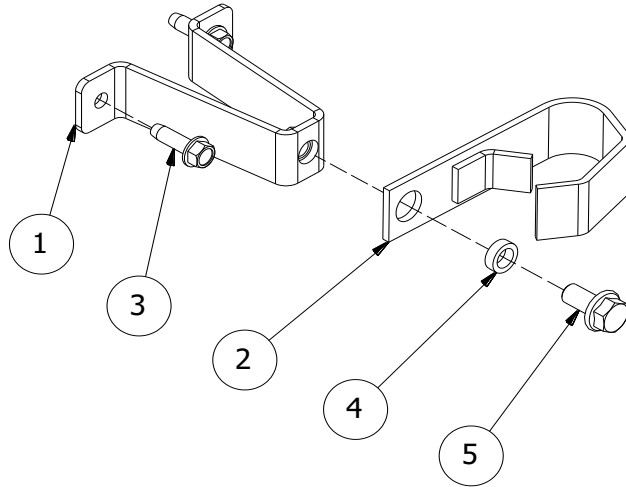






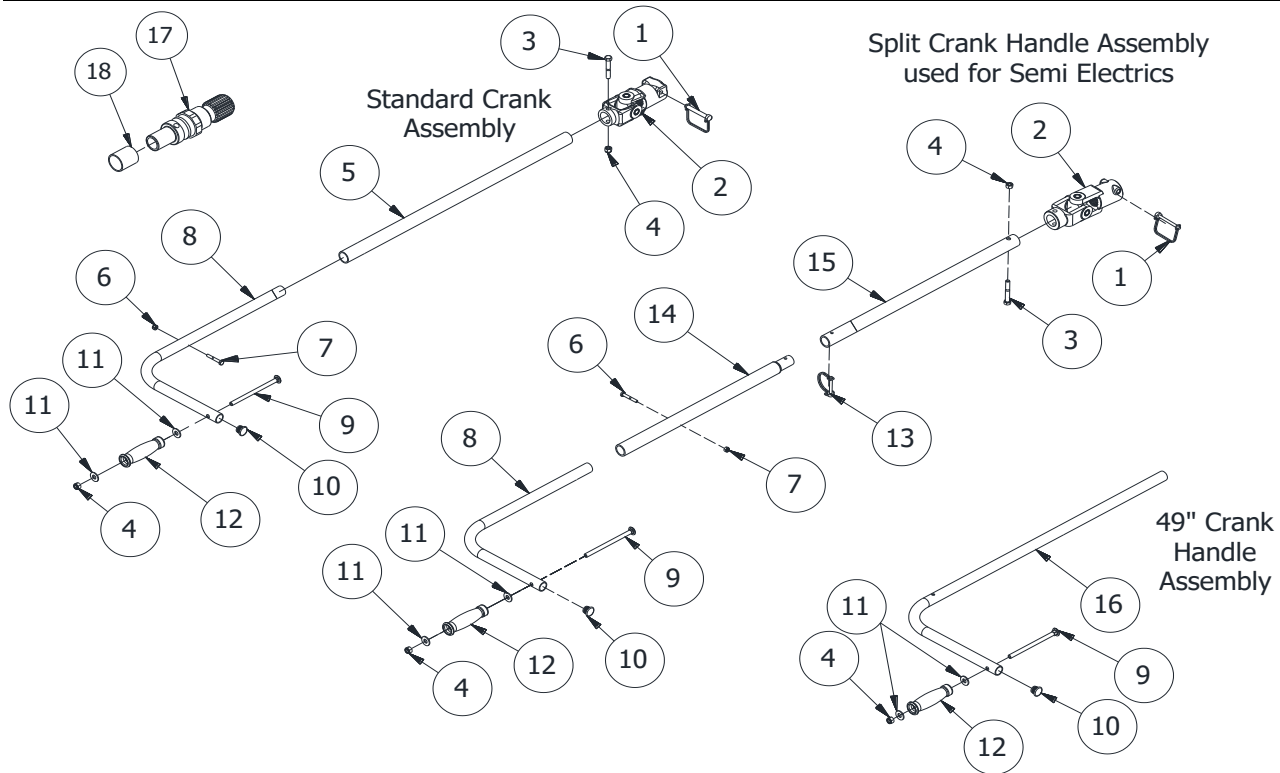
5" or 7" CRANK LOCK RETAINER ASSEMBLY

REF	PART#	DESCRIPTION	UOM	RETAIL
1	0001-030011	5" Mounting Bracket	EACH	
2	0001-030010	Steel Crank Retainer Only (5" & 7")	EACH	
3	0106-000016	3/8" x 1-1/4" - HWH - Thread Cutting Bolt - Type T	EACH	
4	0001-030012	Spacer for Steel Crank Lock Retainer (5" & 7")	EACH	
5	0105-000499	1/2" x 1" - Hex Cap Screw - Serrated Flange	EACH	
1-5	0001-030800	C - 5" Crank Lock Retainer *ASSEMBLY* - Castleton -	EACH	
6	0001-030015	7" Mounting Bracket - LK AHV Bulkers	EACH	
2-6	0001-030801	C- 7" Crank Lock Retainer *ASSEMBLY* - AHV Bulkers	EACH	



SWIVEL CRANK HANDLE ASSEMBLY

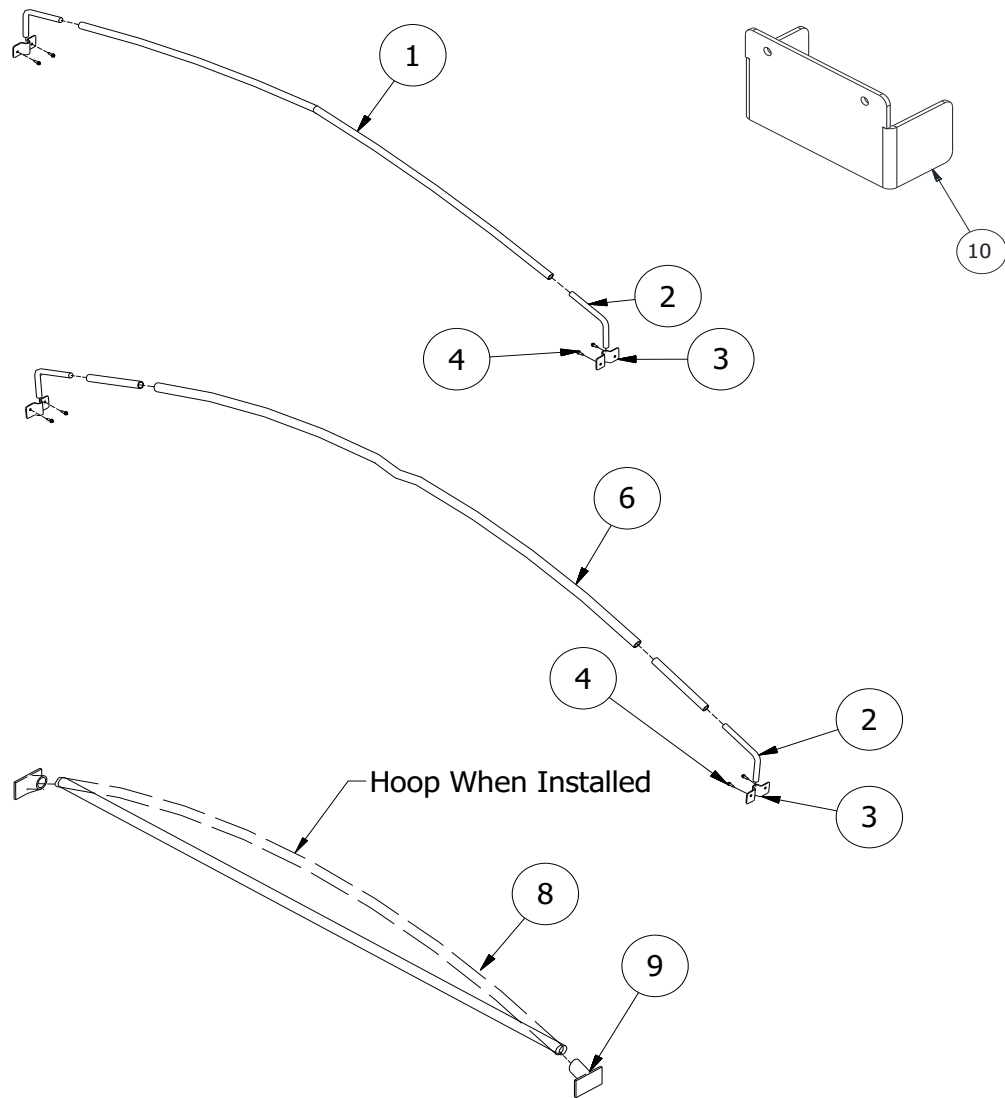
REF	PART#	DESCRIPTION	UOM	RETAIL
1	0110-000007	T - 3/8" x 2-1/2" - Square Double Wire Lock Pin - Zinc	EACH	
2	0001-040002	C T - Universal Joint c/w pin	EACH	
3	0105-000208	3/8"-16 x 2-1/2" GR5 - Hex Cap Screw - ZINC	EACH	
4	0100-001102	3/8"-16 GR2 - Nylock Lock Nut - ZINC	EACH	
N/A	0001-042601	2' Crank Shaft Only	EACH	
5	0001-046001	6' Crank Shaft Only	EACH	
N/A	0001-048001	8' Crank Shaft Only	EACH	
6	0105-000006	1/4"-20 x 1-3/4" GR5 - Hex Cap Screw - ZINC	EACH	
7	0100-001100	1/4"-20 GR2 - Nylock Lock Nut - ZINC	EACH	
8	0001-040004	Swivel Crank Handle w/o grip	EACH	
9	0105-009222	3/8"-16 x 6" GR2 - Carriage Bolt - Partial Thread - ZINC	EACH	
10	0113-000020	1" - Crank Handle Plug - Ribbed - 10-14 GA	EACH	
11	0101-001001	5/16" USS - Flat Washer - ZINC	EACH	
12	0113-000015	Black Plastic Grip (Small Hole-SR)	EACH	
1-5	0001-042602	2' Crank Shaft c/w Universal Joint	EACH	
N/A	0001-046002	6' Crank Shaft c/w Universal Joint	EACH	
N/A	0001-048002	8' Crank Shaft c/w Universal Joint	EACH	
8-12	0001-040003	Swivel Crank Handle Only ***ASSEMBLY***	EACH	
1-12	0001-042610	C - Complete 2' Swivel Crank *ASSEMBLY* c/w U-Joint and Shaft	EACH	
N/A	0001-046010	C - Complete 6 ft. Swivel Crank *ASSEMBLY* c/w U-Joint and shaft	EACH	
N/A	0001-048010	C - Complete 8' Swivel Crank *ASSEMBLY* c/w U-Joint and shaft	EACH	
13	0110-000018	Quick Pin 1/4"x1-3/4-Rnd Loop PLTD	EACH	
14	0001-048006	8' Split Crank Shaft Bottom Half Only Crimped - 3' 6"	EACH	
15	0001-048005	8' Split Crank Shaft Top Half Only - 4' 6"	EACH	
16	0001-040008	49 3/4" Swivel Crank Handle w/o grip	EACH	
4-9 12-16	0001-040005	49-3/4" Swivel Crank Handle Assembly for GC	EA	
1-4 & 13-15	0001-048007	Complete 8' ** SPLIT ** Crank Shafts with U-Joint (No Swivel Crank Handle)	EACH	
N/A	0001-048008	C - Complete 8' SPLIT Crank Shafts, U-Joint, & Swivel Crank Handle	EACH	
17	0001-092128	Spline - Quick Coupler Adaptor c/w Bushing	EACH	
18	0113-000051	C - 1" ID x 1.125 "OD x 1.25" (L) Nylon bushing Iglide G300	EA	



HOOP ASSEMBLY

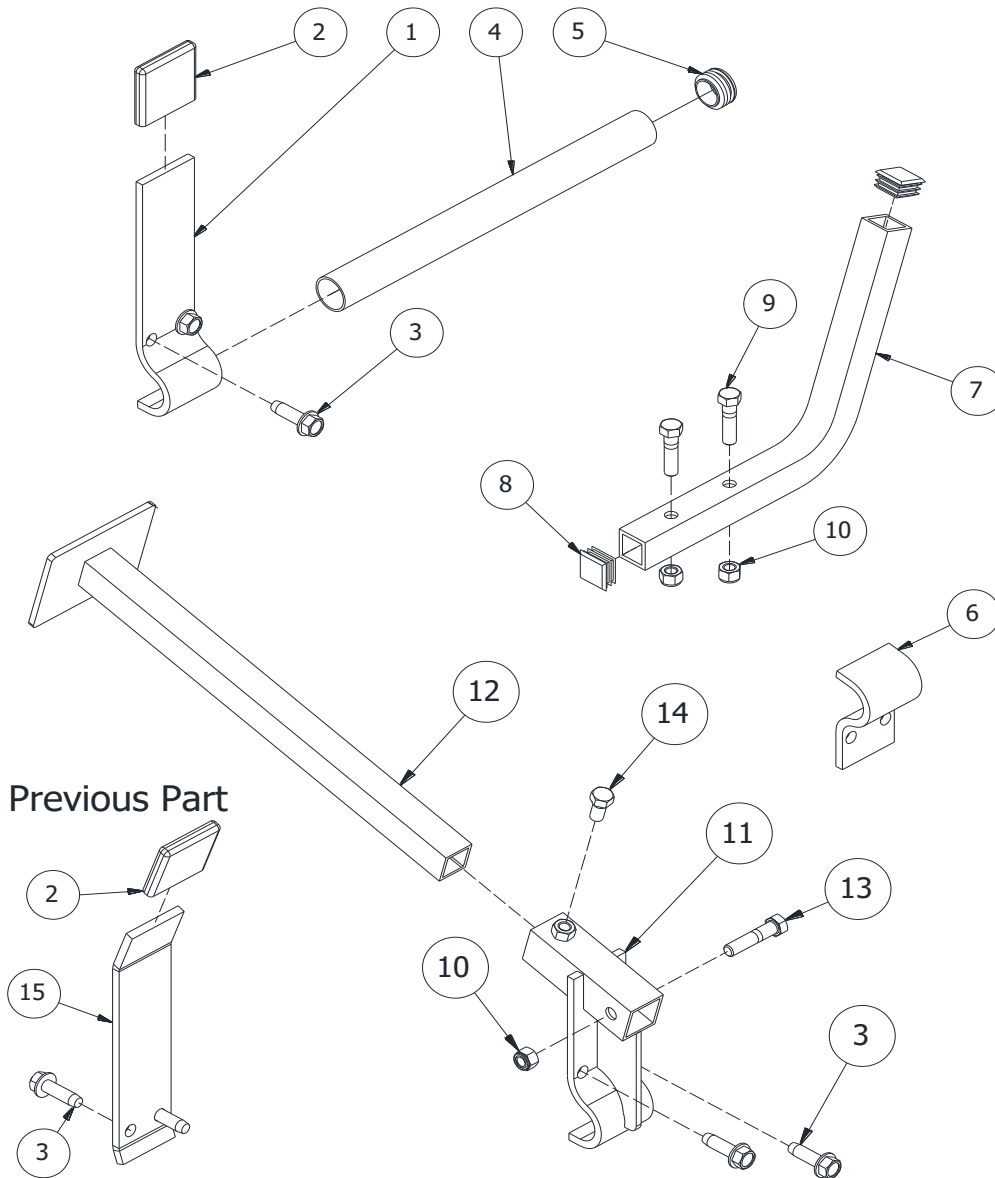
REF	PART#	DESCRIPTION	UOM	RETAIL
N/A	0001-060860	8' 6" OSM Farm Hoop ONLY	EACH	
1	0001-060800	8' osm Farm Hoop ONLY	EACH	
2	0001-060001	Bent Angle - 3/4" Galvanized Steel	EACH	
3	0001-060002	T-Hoop Holder (Lags sold separate)	EACH	
4	0106-000005	1/4" x 1" - Tek Screw w/ Washer (install lag screw)	EACH	
1-4	0001-060861	C - 8' 6" osm Farm Hoop c/w Hoop Holders & Bent Angles	EACH	
1-4	0001-060801	C - 8' osm Farm Hoop c/w Hoop Holders & Bent Angles	EA	
N/A	0001-060004	102" OSM Doepker Dimpled Hoop (FGRP) Used for Doepker Trailers ONLY	EACH	
6	0001-060005	C - 102" OSM Dimpled Hoop (Fiberglass Ridgepole) C/W Insert	EACH	
8	0113-000046	O -Composite Flexbows WITHOUT Aluminum Holders	EA	
9	0113-000033B	Composite FlexBow Alum. Holders ONLY	EACH	
8 & 9	0113-000033	C - O- Composite FlexBow 102" wide c/w Alum. Holders	EACH	
10	0001-060204	Hoop Holder Mounting plate - 2"	EACH	
40' & Over Trailers (4" sill)				
N/A	CASHOOP92-5/8	92-5/8" GALVANIZED STEEL HOOPS C/W Pins Welded In (Castleton)	EACH	
38' & Under Trailers (3" sill)				
N/A	CASHOOP94-5/8	94-5/8" GALVANIZED STEEL HOOP C/W Pins Welded In (Castleton)	EACH	

Hoops



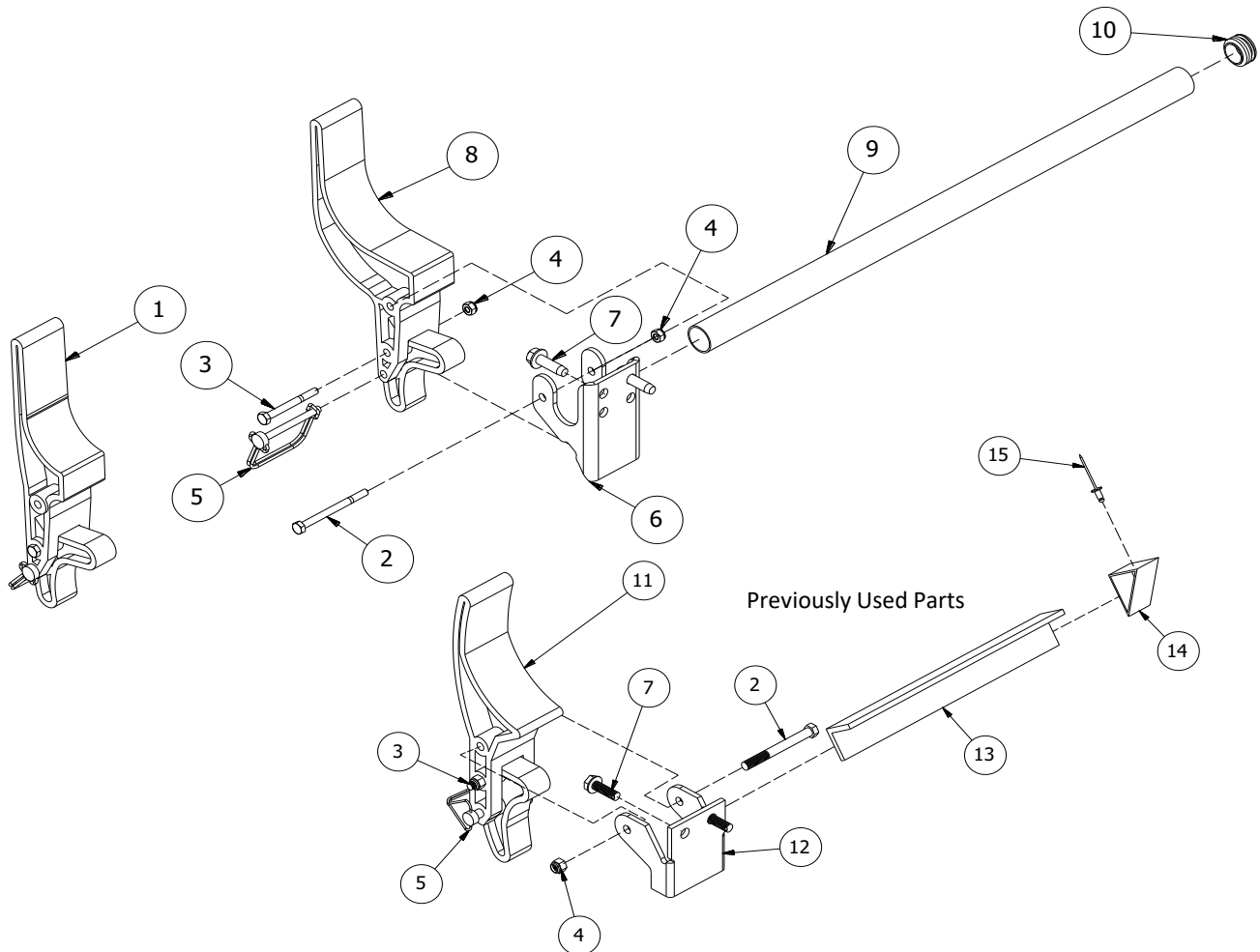
ROUND TARP STOP ASSEMBLY

REF	PART#	DESCRIPTION	UOM	RETAIL
1+2	0001-070200	T-STD Tarp Stop Round - SILVER Powder Coated c/w Protector RAL9006	EACH	
2	0113-000022	Tarp Stop Protectors - 89 Black	EACH	
3	0106-000016	3/8" x 1-1/4" - HWH - Thread Cutting Bolt - Type T	EACH	
4	0150-001008	1-1/8" O.D. Quick Release Pipe/ ft. C/W 0113-000018 Plugs on the ends	FT.	
5	0113-000018	Quick Release Round Pipe Plug	EACH	
6	0001-070006	Round Bar Holder - (Junior Tarp Stop)	EACH	
7	0001-070700	Tarp Stops for Stacks - Electra c/w end plugs	EACH	
8	0113-000001	1" - Square Tube Plug - Ribbed (14-20 GA)	EACH	
9	0105-000204	3/8"-16 x 1-1/2" GR5 - Hex Cap Screw - ZINC	EACH	
10	0100-001102	3/8"-16 GR2 - Nylock Lock Nut - ZINC	EACH	
11	0001-070702	Middle Tarp Stop for Stacks - Base	EACH	
12	0001-070703	Middle Stack Stop Arm	EACH	
13	0105-000205	3/8"-16 x 1-3/4" GR5 - Hex Cap Screw - ZINC	EACH	
14	0105-000201	3/8"-16 x 3/4" GR5 - Hex Cap Screw - Full Thread - ZINC	EACH	
3,10-14	0001-070701	Middle Tarp Stop for Stacks c/w Arm & Base Stop	EACH	
PREVIOUSLY USED PARTS				
15	0001-070800	Flat Tarp Stop C/W Protector	EACH	



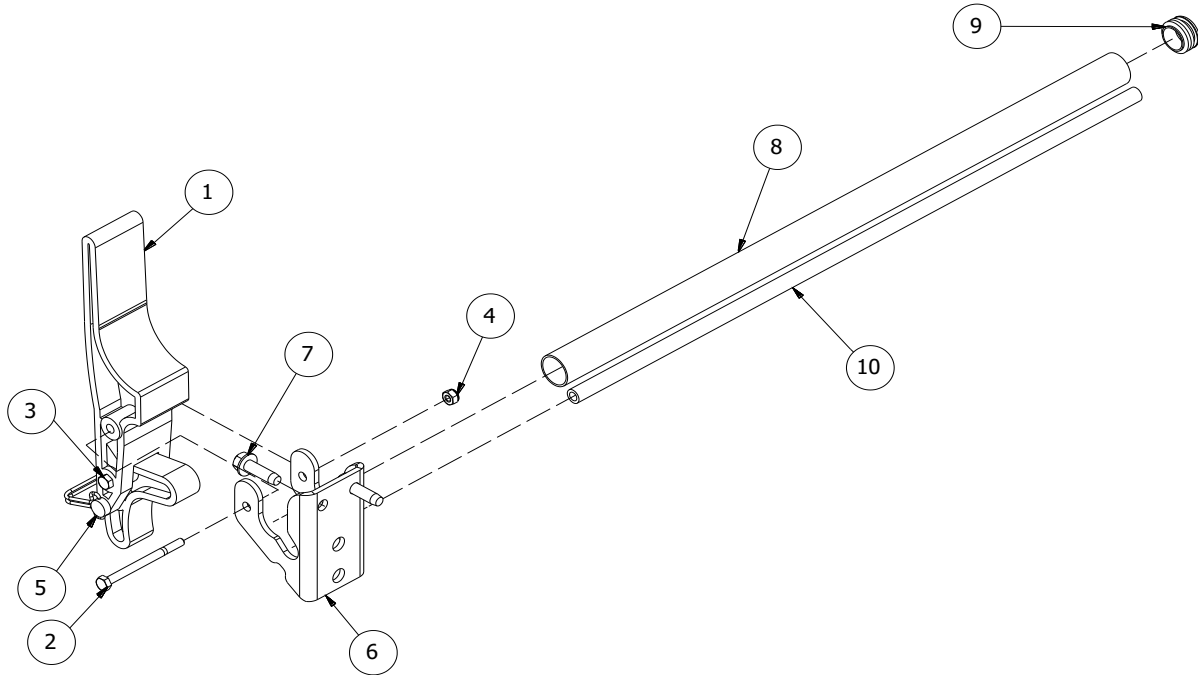
FLIP-RELEASE TARP STOP ASSEMBLY

REF	PART#	DESCRIPTION	UOM	RETAIL
1	0001-070301	3" Rnd Pipe Q.R. Tarp Stop c/w pins and bolts (Plastic Only)	EACH	
2	0105-000111	5/16"-18 x 3-1/4" GR5 - Hex Cap Screw - ZINC	EACH	
3	0105-000108	5/16"-18 x 2-1/2" GR5 - Hex Cap Screw - ZINC	EACH	
4	0100-001101	5/16"-18 GR2 - Nylock Lock Nut - ZINC	EACH	
5	0110-000008	1/4" x 2-1/2" - Square Double Wire Lock Pin - ZINC	EACH	
6	0001-070002	Round Flip Release Bracket	EACH	
7	0106-000016	3/8" x 1-1/4" - HWH - Thread Cutting Bolt - Type T	EACH	
1-7	0001-070300	C - 3" Rnd Pipe Q.R Tarp Stop & Bracket	EACH	
8	0001-070601	6" Rnd. Pipe Q.R. Tarp Stop C/W Pins (Plastic Only)	EACH	
2-8	0001-070600	C - 6" Rnd Pipe Q.R Tarp Stop & Bracket	EACH	
9	0150-001008	1-1/8" O.D. Quick Release Pipe/ ft. C/W 0113-000018 Plugs on the ends	FT.	
10	0113-000018	Quick Release Round Pipe Plug	EACH	
PREVIOUSLY USED PARTS				
11	0001-070401	Angle Flip Release Tarp Stop c/w pins and bolts (Plastic Only)	EACH	
12	0001-070001	Angle Flip Release Bracket	EACH	
13	0151-006000	6061T6- 1.25" x 1.25" x 3/16" x 20' Angle	Ft.	
14	0113-000009	Angle End Cap - OBSELETE	EACH	
15	0103-000004	3/16" x 7/16" x 1/4" Pop Rivets BLSS64 (Tarping) OBSELETE USE 0103-000009	EACH	
2-7+11-12	0001-070400	C - Angle Flip Release Tarp Stop ***Complete*** C/W Bracket	EACH	
N/A	0118-000005	Easy Off Tarp Stop *ASSEMBLY*	EACH	



3" ENVIRO FLIP-RELEASE TARP STOP ASSEMBLY (DOUBLE TARP SYSTEM)

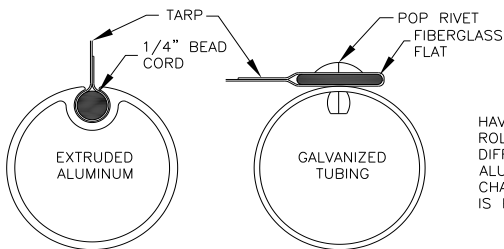
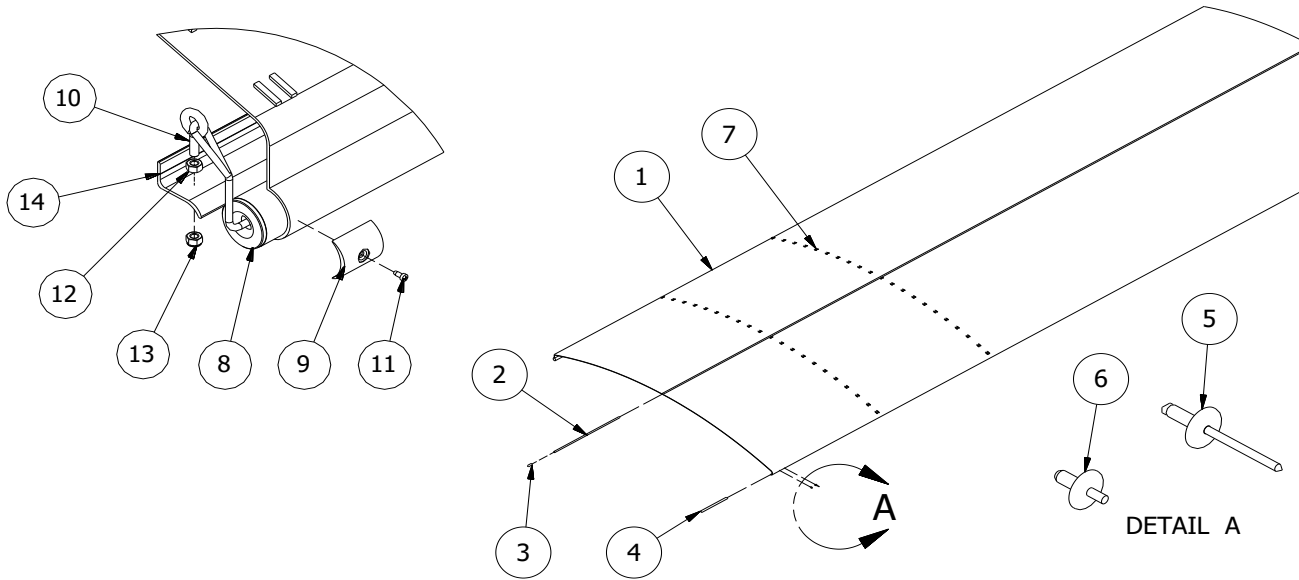
REF	PART#	DESCRIPTION	UOM	RETAIL
1	0001-070301	3" Rnd Pipe Q.R. Tarp Stop c/w pins and bolts (Plastic Only)	EACH	
2	0105-000111	5/16"-18 x 3-1/4" GR5 - Hex Cap Screw - ZINC	EACH	
3	0105-000108	5/16"-18 x 2-1/2" GR5 - Hex Cap Screw - ZINC	EACH	
4	0100-001101	5/16"-18 GR2 - Nylock Lock Nut - ZINC	EACH	
5	0110-000008	1/4" x 2-1/2" - Square Double Wire Lock Pin - ZINC	EACH	
6	0001-070003	ENVIRO Flip Release Bracket- Round Pipe - For Double Enviro Tarp System	EACH	
7	0106-000016	3/8" x 1-1/4" - HWH - Thread Cutting Bolt - Type T	EACH	
1-7	0001-070350	C - 3" Enviro QR Stop & Db1 Bracket	EACH	
8	0150-001008	1-1/8" O.D. Quick Release Pipe/ ft. C/W 0113-000018 Plugs on the ends	FT.	
9	0113-000018	Quick Release Round Pipe Plug	EACH	
10	0150-001004	O-SCK EMT Conduit 1/2"x10'	FT.	



SELECT, MAXIMIZER & LOAD LOC

REPLACEMENT MATERIAL AND COMPONENTS - Replace XX with Length of Tarp for Part #

REF	PART#	DESCRIPTION	UOM	RETAIL
ANY TARPS UNDER 16' ARE PRICED AS BEING 16' LONG				
1	RSRR-XX	20oz SiderollTarp Steel Center, Ridgepole in Trailer, Strap Style Min Retail 336	Lin Ft	
N/A	RSRF-XX	20oz Sideroll Replacement Tarp for Fiberglass Center Rod in Tarp Min Retail 368	Lin Ft	
N/A	RSRR2-XX	22oz Sideroll Tarp, Steel Center, Ridgepole inTrailer, Strap Style MinRetail 384	Lin Ft	
N/A	RSRF2-XX	22oz Sideroll Replacement Tarp for Fiberglass Center Rod in tarp Min Retail 416	Lin Ft	
2	0150-002007	1/2" Centre Rod per Foot c/w Caps	FT	
3	0113-000024	1/2" Centre Rod Cap Part # 691785	EACH	
4	0113-001000	Fiberglass Flat / FT.	FT.	
5	0103-000009	3/16"x 3/16" - 1/4" Grip - Pop Rivet - Steel/Steel Button Head (Sewing	EACH	
6	0103-000017	3/16" x 5/16" - Liner Head Drive Pin Rivet - Aluminum (Hammer In)	EACH	
7	0001-080003	Reinforcements Heat Sealed onto Tarp.	EACH	
N/A	0001-080011	5/8" Fiberglass Ridge Pole Splicer	EACH	
N/A	0001-080002	5/8 Fibreglass Rod & Cushion Sewn	FT	
N/A	0113-000019	5/8" Centre Rod Cap Black Part# 775113	EACH	
N/A	0113-001002B	C - 5/8" Fiber glass Rod c/w Caps and splicers PER FT.	FT.	
NOTE: IF THE 5/8" FIBERGLASS CENTER ROD IS USED THEN THE HOOPS MUST BE SPACED AT A DISTANCE OF 54" OR LESS				
8	0001-020600	C - Load-Loc Return *ASSEMBLY*	EACH	
9	0113-000036	T - Retainer Clips - Large - Screws sold separate	EACH	
10	0119-000000	5/16-18 x 1" Shank Turned Eyebolt	EACH	
11	0106-000011	#10-24 x 3/4" - Wafer Head - Square - Self Drilling Screw - ZINC	EACH	
12	0100-001001	5/16"-18 GR2 - Hex Nut - ZINC	EACH	
13	0100-001101	5/16"-18 GR2 - Nylock Lock Nut - ZINC	EACH	
14	0151-900003A	Maximizer Latch Plate / ft	FT	
N/A	LRK-01	LARGE REPAIR KIT	EACH	
N/A	SRK-01	SMALL REPAIR KIT	EACH	

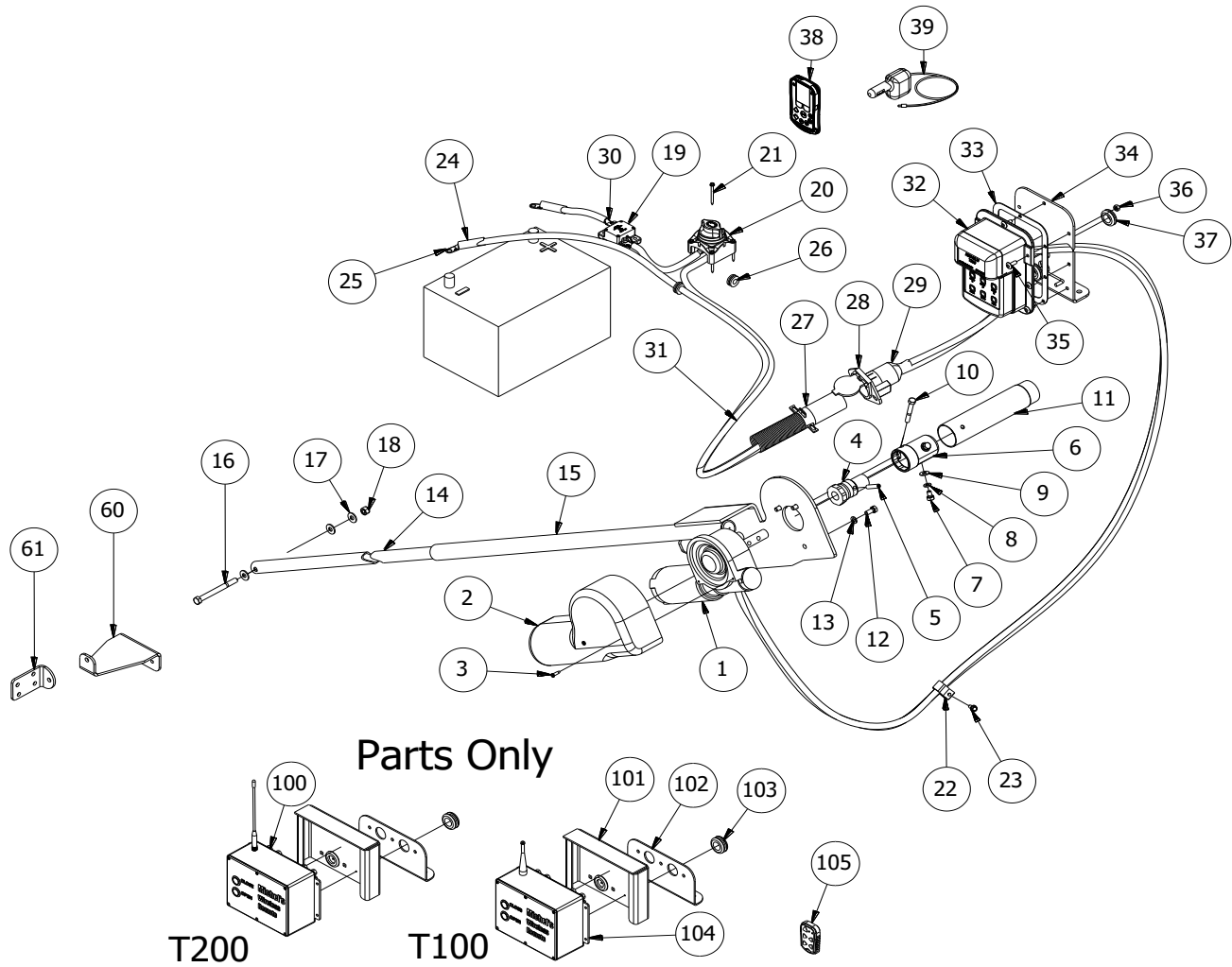


HAVE TO DOUBLE CHECK TO SEE WHICH ROLLUBE YOU HAVE. THE TARP ATTACHES DIFFERENTLY TO THE ROLLTUBES. THE ALUMINUM ONE THE TARP SLIDES IN A CHANNEL AND THE STEEL ONE THE TARP IS POP RIVETED ON.

WIRELESS COMPONENTS Semi

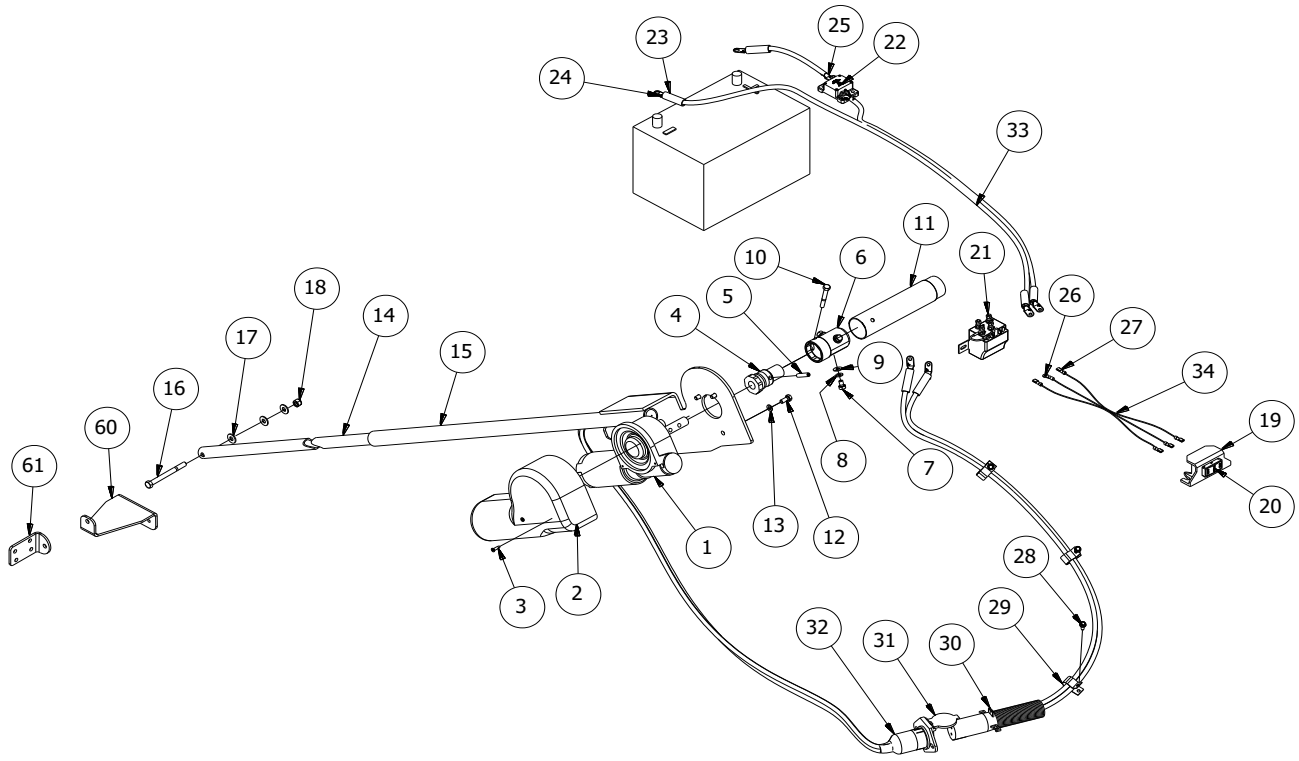
REF	PART#	DESCRIPTION	UOM	RETAIL
1-3	0145-100014	CT- 12V Super Tork Right Angle Motor - Long Shaft with 5/16" Hole & Motor Cover	EACH	
2	0145-100014A	T - Super Tork Motor Cover **ONLY** c/w #10-5/8" Phillips Pan Head SS Screw	EACH	
3	0106-000046	#10 x3/4"Pan Head Torx Type A Course Thread Self Tap 18.8 SS (STorkMotor Cover)	EACH	
N/A	0145-500100	OBSOLETE - NO Gear Box 12V- Super Tork ***MOTOR ONLY***	ea.	
N/A	0145-500101	End Cap Assembly inc brushes,springs.brush cap and studs (SuperTork Motor)	ea.	
4	0001-092119	C - Quick Disconnect Motor Drive Coupler c/w Nylon Bushing	EACH	
5	0110-000024	5/16"x 1-3/4" Slotted Roll Pin - YZ	EA	
1-5	0001-092125	C - 12v Super Tork Motor c/w Quick Disconnect Motor Coupler Only & Cover	EACH	
6	0161-003027	Quick Disconnect Roll Tube Drive End- Stainless Steel 304	EACH	
7	0105-000100LP	5/16"-18 x 1/2" GR5 - Hex Cap Screw w/Locking Patch -Zinc (Quick Disconnect)	EACH	
8	0101-001201	5/16" - Split Lock Washer - ZINC	EACH	
9	0101-001000	1/4" USS - Flat Washer - ZINC	EACH	
10	0105-000107	T-5/16"-18 x 2-1/4" GR5 - Hex Cap Screw - ZINC	EACH	
4-10	0001-092118	C - Quick Disconnect Coupler Assembly	EACH	
1-10	0001-092117	C - 12v Super Tork Motor c/w Quick Disconnect Assembly & Cover	EACH	
11	0001-050001C1		EACH	
12	0105-000101	T- 5/16"-18 x 3/4" GR5 - Hex Cap Screw - Full Thread - ZINC	EACH	
13	0101-001201	5/16" - Split Lock Washer - ZINC	EACH	
14	0001-092103	Super Tork Bottom Pivot Arm	EACH	
15	0001-092104	Super Tork Motor Bracket - Semi	EACH	
16	0105-000206	3/8"-16 x 2" GR5 - Hex Cap Screw - ZINC	EACH	
17	0101-001002	3/8" USS - Flat Washer - ZINC	EACH	
18	0100-001102	3/8"-16 GR2 - Nylock Lock Nut - ZINC	EACH	
19	0145-910112	T, C - Hi Amp Auto Reset 50 amp Circuit Breaker- Surface Mount - c/w Wire Ends	EA	
20	0145-900013	Battery Disconnect Switch	EA	
21	0106-120008	#8-18 x 2" - Pan Head - Square - Self Drilling Screw - ZINC	EA	
22	0145-200005	7/8" - Diameter x 1/2" Wire Clamp - Vinyl Dipped	EACH	
23	0106-000005	1/4" x 1" - Tek Screw w/ Washer (install lag screw)	EACH	
24	0149-000215	C- 1/2" ID Dual Wall Heat Shrink x 2" - 3:1 ratio	EA	
25	0145-900044	#4 Tin Plated Lugs - 3/8" Stud - solderable	EA	
26	0145-900048	7/16" ID x 15/16" OD x 5/16" Thick with 1/8" Groove - Rubber Grommet - Black	EA	
27	0145-200013	Vertical Plug 2 Pole Crimp Terminal 4/6 Ga Wire (Tractor) c/w Spring Loaded Pin	EACH	
28	0145-200014	Vertical Socket & R. Boot - 2 Pole with Red Door 4/6 Ga Wire (Trailer)	EACH	
27-28	0145-200027	C - Set of Vertical 2 Pole #4/6 Connector Plugs	SET	
29	0145-200016	Socket Boot for 2 Pole Plug	EACH	
30	0145-900045	#4 Tin Plated Lugs - 1/4" Stud -Solderable	EA	
31	0145-120015	T - Wire # 6 Duplex	FT	
N/A	0145-100030	T - #4 Parallel/Double Strand Booster Cable Wire YELLOW/Black Stripe	FT	
32	0001-093225	T220 Receiver Box Assembly Only - Plastic Enclosure No Screen	EA	
33	0001-093212	Back Rubber Mounting Gasket For T210 Box	EA	
34	0001-093213	T220/T210 Aluminum Mounting Bracket	EA	
35	0105-007003	1/4"-20 x 1" - Truss Head Machine Screw - ZINC	EACH	
36	0100-001400	1/4"-20 GR2 - Jam Nylock Lock Nut - ZINC	EA	
37	0145-900099	Rubber Grommet - 3/4" ID x 1 3/8" OD x 3/16" thick	ea	
32-37	0001-093226	T220 Wireless Tarp Receiver Assembly c/w Mtg Hardware	EA	
38	0145-910410	R210 Remote - Used for All 200 Series Wireless Components c/w Charger	EA	
39	0145-910412	R210 Charger -12V Cigarette USB Plug & USB Micro C Cord	EA	
1-39	0001-092180	C - Semi Electric Conversion Kit - Wireless T220 1 Rec. & 1 Rem. 0001-092180C	EA	
1-39	0001-092181	C - Semi Super B Elec. Conv. Kit - Wireless T220 2 Rec. & 1 Rem. 0001-092181C	EA	
1-39	0001-092188	C - Super B Elec. T220 Conv. Kit c/w Remote, #4 Wire thru lead 0001-092188C	EA	
20, 21, 24-26, 30-37	0001-092182	C - Upgrade from Switch Kit to Wireless T220 Remote - Farm or Semi 1 Remote	EA	
20, 21, 24-26, 30-37	0001-092183	C - Upgrade from Switch Kit to Wireless T220 Semi B-train 1 Remote & 2 Receivers	EA	
17-28	0012-000262	C- Components to Wire Tractor Unit ONLY for Chute Opener/Wireless Tarp - #4 Wire	EA	
60	0001-092124	Doepker Legacy Pull Catwalk Mounting Bracket	EACH	
61	0001-092122	Electric Mounting Bracket for Ladder - Castleton	EACH	

100	0001-093200	T200 Receiver Box Assembly Only - Aluminum Box	EA	
101	0001-093203	T100 & T200 Mounting Bracket	EA	
102	0001-093202	T100 & T200 Mounting Flange	EA	
103	0145-100038	Rubber Grommet - 3/4" ID x 1/4" Thick	EA	
104	0001-093100	Receiver Only - Complete Michels Wireless T100 - Aluminum Box	EA	
105	0145-900019	Kar-Tech Micro 4 Button Transmitter - Michels Decal	EA	



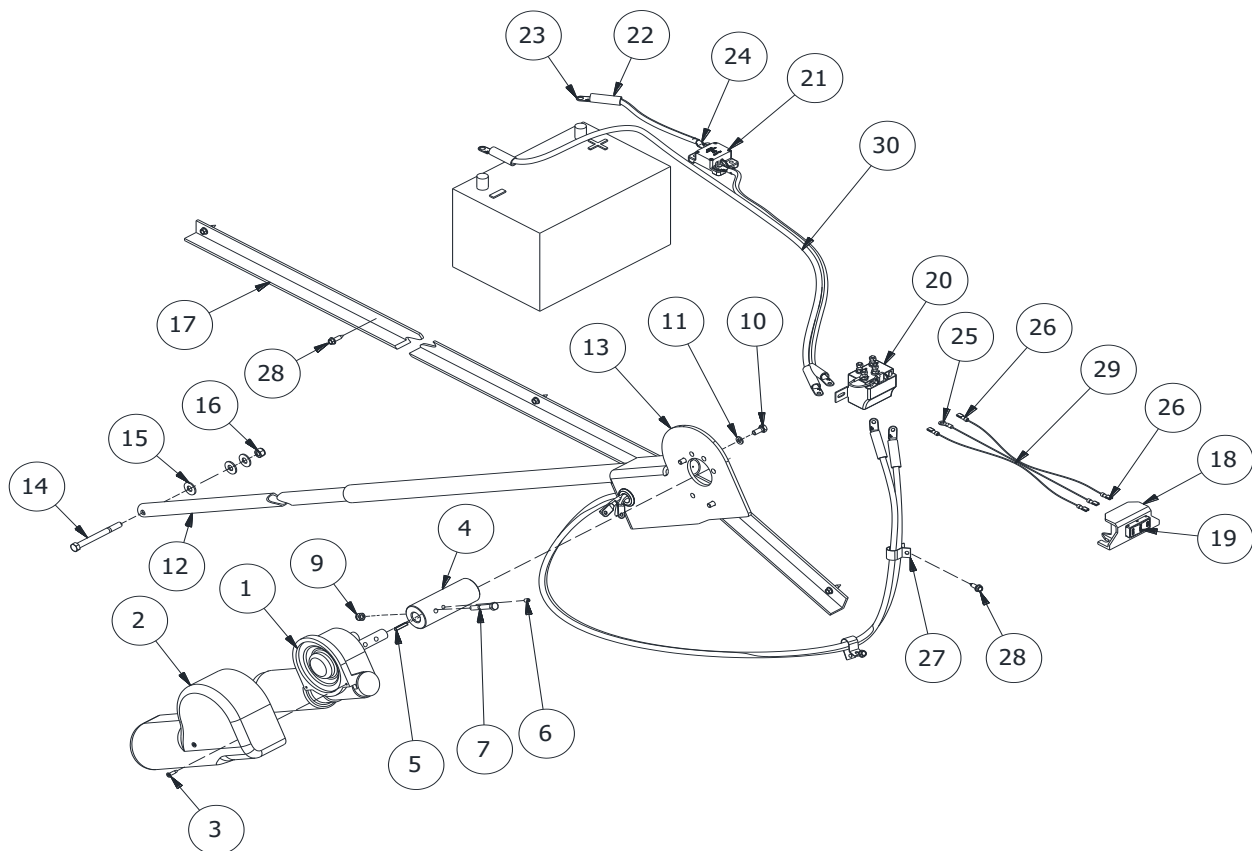
ELECTRICAL ROCKER SWITCH COMPONENTS Semi

REF	PART#	DESCRIPTION	UOM	RETAIL
1-3	0145-100014	CT- 12V Super Tork Right Angle Motor - Long Shaft with 5/16" Hole & Motor Cover	EACH	
2	0145-100014A	T - Super Tork Motor Cover **ONLY** c/w #10-5/8" Phillips Pan Head SS Screw	EACH	
3	0106-000046	#10 x3/4"Pan Head Torx Type A Course Thread Self Tap 18.8 SS (STorkMotor Cover)	EACH	
N/A	0145-500100	OBSOLETE - NO Gear Box 12V- Super Tork ***MOTOR ONLY***	ea.	
N/A	0145-500101	End Cap Assembly inc brushes,springs.brush cap and studs (SuperTork Motor)	ea.	
4	0001-092119	C - Quick Disconnect Motor Drive Coupler c/w Nylon Bushing	EACH	
5	0110-000024	5/16"x 1-3/4" Slotted Roll Pin - YZ	EA	
1-5	0001-092125	C - 12v Super Tork Motor c/w Quick Disconnect Motor Coupler Only & Cover	EACH	
6	0161-003027	Quick Disconnect Roll Tube Drive End- Stainless Steel 304	EACH	
7	0105-000100	5/16"-18 x 1/2" GR5 - Hex Cap Screw	EACH	
8	0101-001201	5/16" - Split Lock Washer - ZINC	EACH	
9	0101-001000	1/4" USS - Flat Washer - ZINC	EACH	
10	0105-000107	T-5/16"-18 x 2-1/4" GR5 - Hex Cap Screw - ZINC	EACH	
4-10	0001-092118	C - Quick Disconnect Coupler Assembly	EACH	
1-10	0001-092117	C - 12v Super Tork Motor c/w Quick Disconnect Assembly & Cover	EACH	
11	0001-050001C1	2" Roll Tube x 12" long (crimped ONE end)	EACH	
12	0105-000101	T- 5/16"-18 x 3/4" GR5 - Hex Cap Screw - Full Thread - ZINC	EACH	
13	0101-001201	5/16" - Split Lock Washer - ZINC	EACH	
14	0001-092103	Super Tork Bottom Pivot Arm	EACH	
15	0001-092104	Super Tork Motor Bracket - Semi	EACH	
16	0105-000206	3/8"-16 x 2" GR5 - Hex Cap Screw - ZINC	EACH	
17	0101-001002	3/8" USS - Flat Washer - ZINC	EACH	
18	0100-001102	3/8"-16 GR2 - Nylock Lock Nut - ZINC	EACH	
19-29	0145-400015	Rocker Switch & HDRelay Kit 50 Amp12 V c/w 1/4" Ring Term & Insulators	EACH	
19-20	0145-400006	Rocker Switch and Bracket	EACH	
19	0145-400009	Bracket for Rocker Switch	EA	
20	0145-400002	T - Rocker Switch only - (25 , 40 or 50 Amp)	EACH	
21	0145-400021	CT - Heavy Duty 12 Volt DC ContactorC/Wwire End, Nuts & Wiring Diag & 4 Insulato	EACH	
22	0145-910112	T, C - Hi Amp Auto Reset 50 amp Circuit Breaker- Surface Mount - c/w Wire Ends	EA	
23	0149-000215	C- 1/2" ID Dual Wall Heat Shrink x 2" - 3:1 ratio	EA	
24	0145-900044	#4 Tin Plated Lugs - 3/8" Stud - solderable	EA	
25	0145-900045	#4 Tin Plated Lugs - 1/4" Stud -Solderable	EA	
26	0145-900023	Ring Terminal Nylon - 16-14 GA Stud Size 1/4" (Single)	EA	
27	0145-100049	16-14 GA Female Quick Disconnect Insulated Tab Size .25"	Ea.	
28	0106-000005	1/4" x 1" - Tek Screw w/ Washer (install lag screw)	EACH	
29	0145-200005	7/8 " - Diameter x 1/2" Wire Clamp - Vinyl Dipped	EACH	
30	0145-200013	Vertical Plug 2 Pole Crimp Terminal 4/6 Ga Wire (Tractor) c/w Spring Loaded Pin	EACH	
31	0145-200014	Vertical Socket & R. Boot - 2 Pole with Red Door 4/6 Ga Wire (Trailer)	EACH	
30-31	0145-200027	C - Set of Vertical 2 Pole #4/6 Connector Plugs	SET	
32	0145-200016	Socket Boot for 2 Pole Plug	EACH	
33	0145-120015	T - Wire # 6 Duplex	FT	
N/A	0145-100030	T - #4 Parallel/Double Strand Booster Cable Wire YELLOW/Black Stripe	FT	
34	0145-100007	T - 14-3/C Switch Wire	FT	
1-34	0001-092005	C - ELECTRIC CONVERSION KIT SEMI 0001-092005C	EACH	
1-34	0001-092006	C - Electric Super B Conversion Kit 0001-092006C	EACH	
1-34	0001-092009	C - Electric Super B Conversion Kit - #4 Wire thru Lead Trailer 0001-092009C	EACH	
17-28	0001-092106	C - HighwayTractor Electric Rocker Kit - FLIP & SELECT	EA	
60	0001-092124	Doepker Legacy Pull Catwalk Mounting Bracket	EACH	
61	0001-092122	Electric Mounting Bracket for Ladder - Castleton	EACH	



ELECTRICAL ROCKER SWITCH COMPONENTS Farm

REF	PART#	DESCRIPTION	UOM	RETAIL
1-3	0145-100014	CT- 12V Super Tork Right Angle Motor - Long Shaft with 5/16" Hole & Motor Cover	EACH	
2	0145-100014A	T - Super Tork Motor Cover **ONLY** c/w #10-5/8" Phillips Pan Head SS Screw	EACH	
N/A	0145-500100	OBSOLETE - NO Gear Box 12V- Super Tork ***MOTOR ONLY***	ea.	
N/A	0145-500101	End Cap Assembly inc brushes,springs.brush cap and studs (SuperTork Motor)	ea.	
3	0106-000046	#10 x3/4"Pan Head Torx Type A Course Thread Self Tap 18.8 SS (STorkMotor Cover)	EACH	
4	0001-092003	CO - Select 2" Motor Shaft c/w Key and Set Screw	EACH	
5	0110-000027	Key 3/16"x1" Substitute 0110-000202 3/16" x 1-1/4" Key (6-i)	EACH	
6	0104-000002	1/4"-20 x 3/8" - Socket Set Screw - Knurled Cup Point - BARE	EACH	
1-6	0001-092101	12v Super Tork Motor with 2" Motor Shaft & Cover	EACH	
7	0105-000107	T-5/16"-18 x 2-1/4" GR5 - Hex Cap Screw - ZINC	EACH	
9	0100-001201	5/16"-18 GR2 - Hex Jam Nut - ZINC	EACH	
10	0105-000101	T- 5/16"-18 x 3/4" GR5 - Hex Cap Screw - Full Thread - ZINC	EACH	
11	0101-001201	5/16" - Split Lock Washer - ZINC	EACH	
12	0001-092103	Super Tork Bottom Pivot Arm	EACH	
13	0001-092102	Super Tork Motor Bracket - Farm	EACH	
14	0105-000216	3/8"-16 x 4-1/2" GR5 - Hex Cap Screw - ZINC	EACH	
15	0101-001002	3/8" USS - Flat Washer - ZINC	EACH	
16	0100-001102	3/8"-16 GR2 - Nylock Lock Nut - ZINC	EACH	
17	0001-090006	ELECTRIC "Farm Box" Pivot Arm Guide (Aluminum Angle)	EACH	
18-28	0145-400015	Rocker Switch & HDRelay Kit 50 Amp12 V c/w 1/4" Ring Term & Insulators	EACH	
18-19	0145-400006	Rocker Switch and Bracket	EACH	
18	0145-400009	Bracket for Rocker Switch	EA	
19	0145-400002	T - Rocker Switch only - (25 , 40 or 50 Amp)	EACH	
20	0145-400021	CT - Heavy Duty 12 Volt DC ContactorC/Wwire End, Nuts & Wiring Diag & 4 Insulato	EACH	
21	0145-910112	T, C - Hi Amp Auto Reset 50 amp Circuit Breaker- Surface Mount - c/w Wire Ends	EA	
22	0149-000215	C- 1/2" ID Dual Wall Heat Shrink x 2" - 3:1 ratio	EA	
23	0145-900044	#4 Tin Plated Lugs - 3/8" Stud - solderable	EA	
24	0145-900045	#4 Tin Plated Lugs - 1/4" Stud -Solderable	EA	
25	0145-900023	Ring Terminal Nylon - 16-14 GA Stud Size 1/4" (Single)	EA	
26	0145-100049	16-14 GA Female Quick Disconnect Insulated Tab Size .25"	Ea.	
27	0145-200005	7/8 " - Diameter x 1/2" Wire Clamp - Vinyl Dipped	EACH	
28	0106-000005	1/4" x 1" - Tek Screw w/ Washer (install lag screw)	EACH	
29	0145-100007	T - 14-3/C Switch Wire	FT	
30	0145-120015	T - Wire # 6 Duplex	FT	
18-30	0001-092106	C - HighwayTractor Electric Rocker Kit - FLIP & SELECT	EA	
1-30	0001-092004	C - FRONT MOUNT ELECTRIC CONVERSION KIT - FARM 0001-092004C	EACH	
N/A	0001-092007	C - ELECTRIC CONV. KIT - FARM END DUMP/PUP HOPPER TRAILER - #4 Wire 0001-092007C	EACH	



Power Pro & Hoist Kit

REF	PART#	DESCRIPTION	UOM	RETAIL
1	0001-095060	MIC220 Receiver Box - Tandem c/w Actuator & Hoist Pig Tail Only	EA	
1A	0001-095062	MIC220 Box Assembly - c/w Leads for Air Valve, Actuator, Manual o-ride switch	EA	
1B	0145-900104	Circuit Breaker- Cooper Bussmann 5A , Type 1 Reset	ea	
N/A	0125-001002	7" x 50# - Nylon Cable Tie - Cold Weather - Black UV (ACT Only)	EACH	
2	0001-093212	Back Rubber Mounting Gasket For T210 Box	EA	
3	0001-095018	Mud Flap Mounting Bracket for a MIC210/220 Receiver Box	EA	
4	0001-095008	MIC210/220 Receiver Box - Tandem Sheilded Mounting Box (Under Grain Box)	EA	
5	0001-093220	210 Back Cover	EA	
6	0105-007003	1/4"-20 x 1" - Truss Head Machine Screw - ZINC	EACH	
7	0100-001400	1/4"-20 GR2 - Jam Nylock Lock Nut - ZINC	EA	
8	0145-910410	R210 Remote - Used for All 200 Series Wireless Components c/w Charger	EA	
9	0145-910112	T, C - Hi Amp Auto Reset 50 amp Circuit Breaker- Surface Mount - c/w Wire Ends	EA	
10	0001-095014	Hoist Cord - 7ft	EA	
11	0600-000102	Hose - Air Brake - 1/4" - Reel	Foot	
12	0001-095005	Air Valve c/w Wire Leads and Air Fittings	EA	
12A	0600-000031	Coil & Din for 5/3 Air Valve	EACH	
12B	0001-095004A	Air Valve Wire Leads ONLY	EA	
13	0600-000114	Push to Connect DOT - 1/4" Tee	EACH	
14	0001-095016	Shuttle Valve c/w 2 Straight & 1 Elbow Fittings	EA	
15	0001-095022	Electric Hoist Control Box - 6ft leads	EA	
16	0001-095002	MIC210 Receiver Box - Actuator Wire - 110"- 14-2	EA	
17	0001-095025	Actuator LA28 c/w 75" Wire Lead and Weather Pack	EA	
18	0001-095009	Actuator Mounting Tabs	EA	
19	0110-000032	3/8" x 1-3/8" - Round Double Wire Lock Pin - ZINC	EACH	
20	0105-000202	3/8"-16 x 1" GR5 - Hex Cap Screw - Full Thread - ZINC	EACH	
21	0100-001102	3/8"-16 GR2 - Nylock Lock Nut - ZINC	EACH	
22	0001-095045	Relay Box for External Rocker Switch Add on	EA	
23	0001-090006	ELECTRIC "Farm Box" Pivot Arm Guide (Aluminum Angle)	EACH	
24	0001-092103	Super Tork Bottom Pivot Arm	EACH	
25	0001-092102	Super Tork Motor Bracket - Farm	EACH	
26-28	0145-100014	CT- 12V Super Tork Right Angle Motor - Long Shaft with 5/16" Hole & Motor Cover	EACH	
27	0145-100014A	T - Super Tork Motor Cover **ONLY** c/w #10-5/8" Phillips Pan Head SS Screw	EACH	
28	0106-000046	#10 x3/4"Pan Head Torx Type A Course Thread Self Tap 18.8 SS (STorkMotor Cover)	EACH	
29	0001-092003	CO - Select 2" Motor Shaft c/w Key and Set Screw	EACH	
26-29	0001-092101	12v Super Tork Motor with 2" Motor Shaft & Cover	EACH	
30	0145-120015	T - Wire # 6 Duplex	FT	
31	0105-000107	T-5/16"-18 x 2-1/4" GR5 - Hex Cap Screw - ZINC	EACH	
32	0105-000101	T- 5/16"-18 x 3/4" GR5 - Hex Cap Screw - Full Thread - ZINC	EACH	
33	0105-000216	3/8"-16 x 4-1/2" GR5 - Hex Cap Screw - ZINC	EACH	
34	0101-001201	5/16" - Split Lock Washer - ZINC	EACH	
35	0101-001002	3/8" USS - Flat Washer - ZINC	EACH	
36	0100-001201	5/16"-18 GR2 - Hex Jam Nut - ZINC	EACH	
37	0145-900087	1/4" Wire Clip	EA	
38	0145-400007	3/8" Wire Clip	EACH	
39	0145-200005	7/8 " - Diameter x 1/2" Wire Clamp - Vinyl Dipped	EACH	
40	0145-900045	#4 Tin Plated Lugs - 1/4" Stud -Solderable	EA	
41	0145-900044	#4 Tin Plated Lugs - 3/8" Stud - solderable	EA	
42	0106-000005	1/4" x 1" - Tek Screw w/ Washer (install lag screw)	EACH	
43	0145-910119	15 Amp - 12V Circuit Breaker Only	EA	
N/A	0001-095010	Tandem 30ft MIC210/220 Power Cord Kit (If no electric tarp)	EA	

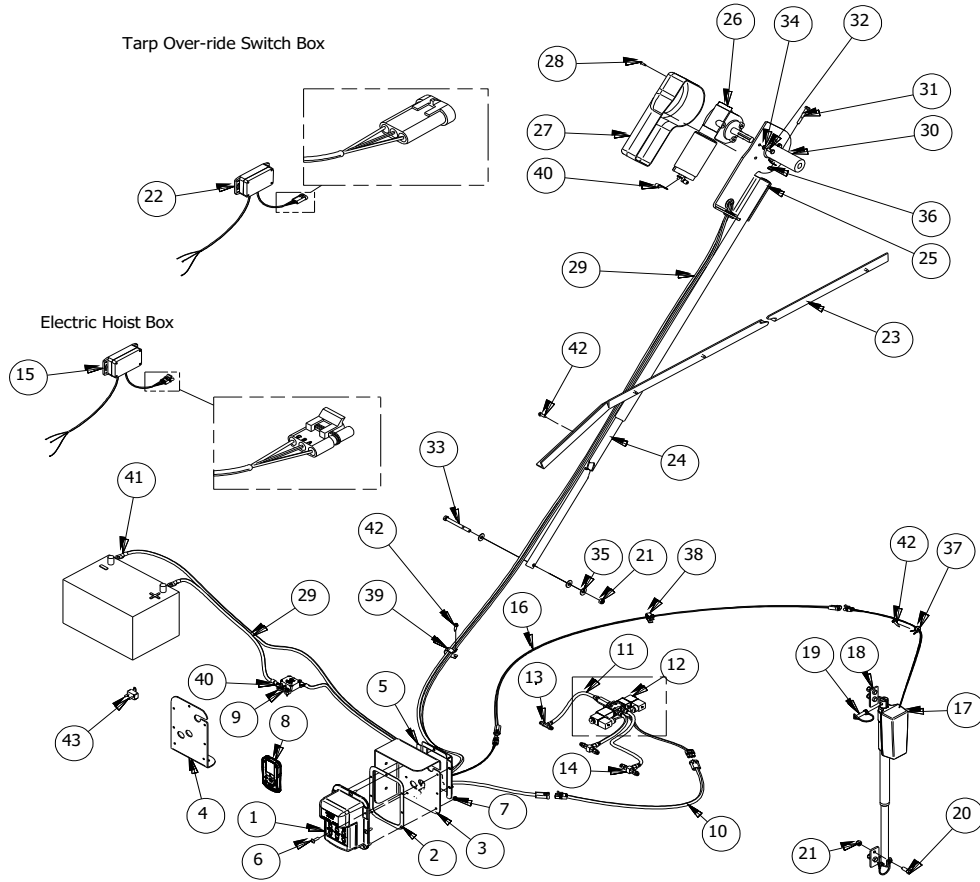
Actuator & Air Hoist

1-3, 5-14, 16-21, 23- 42	0001-095019	C - ELECTRIC CONV, Power Pro Opener, Air Hoist and Remote Kit 0001-095019C	EA	
1-3, 5-8, 10 14, 16-21	0001-095012	C - End User Power Pro Opener, Air Hoist Kit & Remote (without ElectricTarp)	EA	
N/A	0001-095033	C - Power Pro Opener, Rear Elec. Tarp, Air Hoist and Remote Kit 0001-095033C	EA	

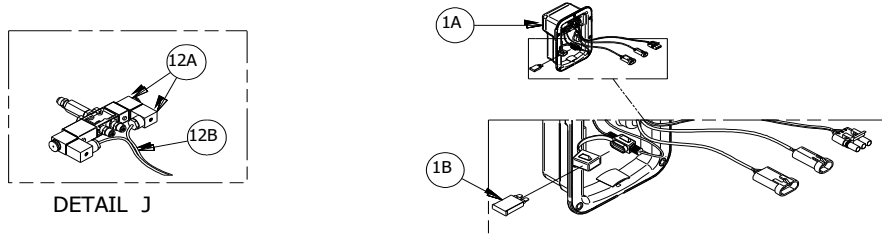
Actuator - No Hoist

1-3, 5-9, 16 21, 23-38, 40-43	0001-095030	C - Power Pro Opener, & Front Electric Tarp Kit and Remote 0001-095030C	EA	
1-3, 5-8, 16 21, 38, 42	0001-095013	C-Power Pro MIC220 Tandem Kit-Actuator Kit c/w Remote (No ElectricTarp or Hoist)	EA	
N/A	0001-095034	C - Power Pro Opener, & Rear Electric Tarp Kit and Remote 0001-095034C	EA	

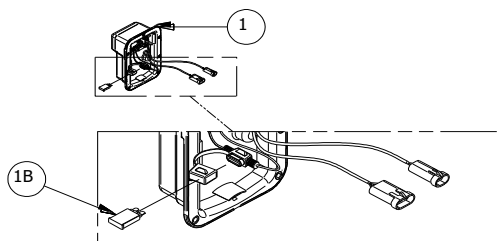
1-3, 5-8, 10-14	0001-095032	C - Air Hoist & MIC210 Kit Only c/w Remote (without Electric Tarp)	EA	
Actuator & ELECTRIC Hoist				
1-3, 5-9, 16-21, 23-36, 39-42	0001-095043	C - Power Pro Opener, Front Elec Tarp, ELECTRIC Hoist Control and Remote Kit "C"	EA	
1-3, 5-7, 16-21, 37, 38, 42	0001-095042	C - End User Power Pro Opener, ELECTRIC Hoist Kit & Remote (w/o ElectricTarp)	EA	
Electric Tarps Only				
23-36, 39-42	0001-092186	Farm Front Electric Conversi Wireless Kit Inconjuction with Existing MIC210 Box	EA	
N/A	0001-092187	Farm END DUMP Trailer Front Electric Conv Kit Inconjuction with Exist MIC210Box	EA	
Wireless Conversion				
1-3, 5, 8-13	0001-092184	C - Farm Electric Conv. Kit - Wireless MIC220 1 Rec. & 1 Rem. 0001-092184C	EA	
N/A	0001-092189	Farm END DUMP Trailer Front Electric Conv Kit Includes MIC220 Box & Remote	EA	



Switch O-ride Ready MIC210 Wiring (Specify Serial #)



Standard MIC210 Wiring



REAR MOUNT ELECTRICAL COMPONENTS

REF	PART#	DESCRIPTION	UOM	RETAIL
1	0001-092101	12v Super Tork Motor with 2" Motor Shaft & Cover	EACH	
1A, 2, 3	0145-100014	CT- 12V Super Tork Right Angle Motor - Long Shaft with 5/16" Hole & Motor Cover	EACH	
1B	0001-092003	CO - Select 2" Motor Shaft c/w Key and Set Screw	EACH	
2	0145-100014A	T - Super Tork Motor Cover **ONLY** c/w #10-5/8" Phillips Pan Head SS Screw	EACH	
3	0106-000046	#10 x3/4"Pan Head Torx Type A Course Thread Self Tap 18.8 SS (STorkMotor Cover)	EACH	
4	0105-000107	T-5/16"-18 x 2-1/4" GR5 - Hex Cap Screw - ZINC	EACH	
5	0100-001201	5/16"-18 GR2 - Hex Jam Nut - ZINC	EACH	
6	0001-092203	RME Bottom Arm	EA	
7	0001-092204	RME Adjusting Arm	EA	
8	0001-092205	RME Link Arm - 11GA Steel	EA	
9	0001-092202	RME Motor Arm	EA	
10	0001-092201	RME Offset Bracket	EA	
11	0001-092206	RME Rolling Bracket	EA	
12	0001-092215	RME 1" PVC Roller tube	EACH	
13-23	0145-400015	Rocker Switch & HDRelay Kit 50 Amp12 V c/w 1/4" Ring Term & Insulators	EACH	
13	0145-400009	Bracket for Rocker Switch	EA	
14	0145-400002	T - Rocker Switch only - (25 , 40 or 50 Amp)	EACH	
15	0145-400021	CT - Heavy Duty 12 Volt DC ContactorC/Wwire End, Nuts & Wiring Diag & 4 Insulato	EACH	
16	0149-000215	C- 1/2" ID Dual Wall Heat Shrink x 2" - 3:1 ratio	EA	
17	0145-910112	T, C - Hi Amp Auto Reset 50 amp Circuit Breaker- Surface Mount - c/w Wire Ends	EA	
18	0145-900044	#4 Tin Plated Lugs - 3/8" Stud - solderable	EA	
19	0145-900045	#4 Tin Plated Lugs - 1/4" Stud -Solderable	EA	
20	0145-100049	16-14 GA Female Quick Disconnect Insulated Tab Size .25"	Ea.	
21	0145-900023	Ring Terminal Nylon - 16-14 GA Stud Size 1/4" (Single)	EA	
22	0145-200005	7/8 " - Diameter x 1/2" Wire Clamp - Vinyl Dipped	EACH	
23	0106-000005	1/4" x 1" - Tek Screw w/ Washer (install lag screw)	EACH	
24	0145-100007	T - 14-3/C Switch Wire	FT	
25	0101-001002	3/8" USS - Flat Washer - ZINC	EACH	
26	0100-001102	3/8"-16 GR2 - Nylock Lock Nut - ZINC	EACH	
27	0105-000207	3/8"-16 x 2-1/4" GR5 - Hex Cap Screw	EACH	
28	0105-000206	3/8"-16 x 2" GR5 - Hex Cap Screw - ZINC	EACH	
29	0110-000012	T- 3/16" x 2" - Cotter Pin - YZ	EACH	
30	0101-001107	1" SAE - Flat Washer - ZINC	EACH	
31	0106-000016	3/8" x 1-1/4" - HWH - Thread Cutting Bolt - Type T	EACH	
32	0145-120015	T - Wire # 6 Duplex	FT	
33	0101-001201	5/16" - Split Lock Washer - ZINC	EACH	
34	0105-000101	T- 5/16"-18 x 3/4" GR5 - Hex Cap Screw - Full Thread - ZINC	EACH	
1-34	0001-092200	C - **REAR MOUNT** Electric Kit - Farm 0001-092200C	EA	
6-12 + 22-34	0001-092218	C - Rear Mount Electric Front to Back Conversion Kit (See BOM's) 0001-092218C	EA	
N/A	0001-092219	**REAR MOUNT** Electric Wireless Kit In Conjunction with MIC210/220 Control Box	EA	
N/A	0001-092221	C - Farm Box Rear Mount Electric Conv Kit Includes MIC220 Box & Remote	EA	
N/A	0001-092220	Farm END DUMP Trailer Rear Mount Electric Conv Kit Includes MIC220 Box & Remote	EA	

