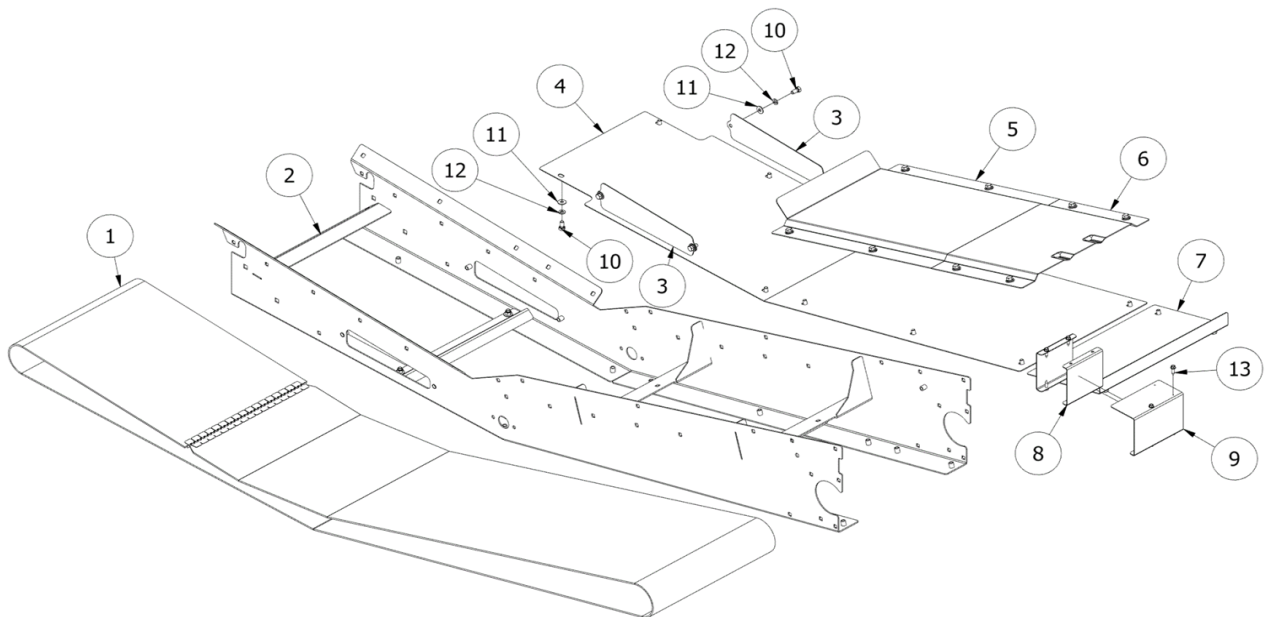


Convey Hawk II Parts

NOTE: DISCRPTIONS AND IMIGINES MAY CHANGE AT ANY TIME WITHOUT NOTICE

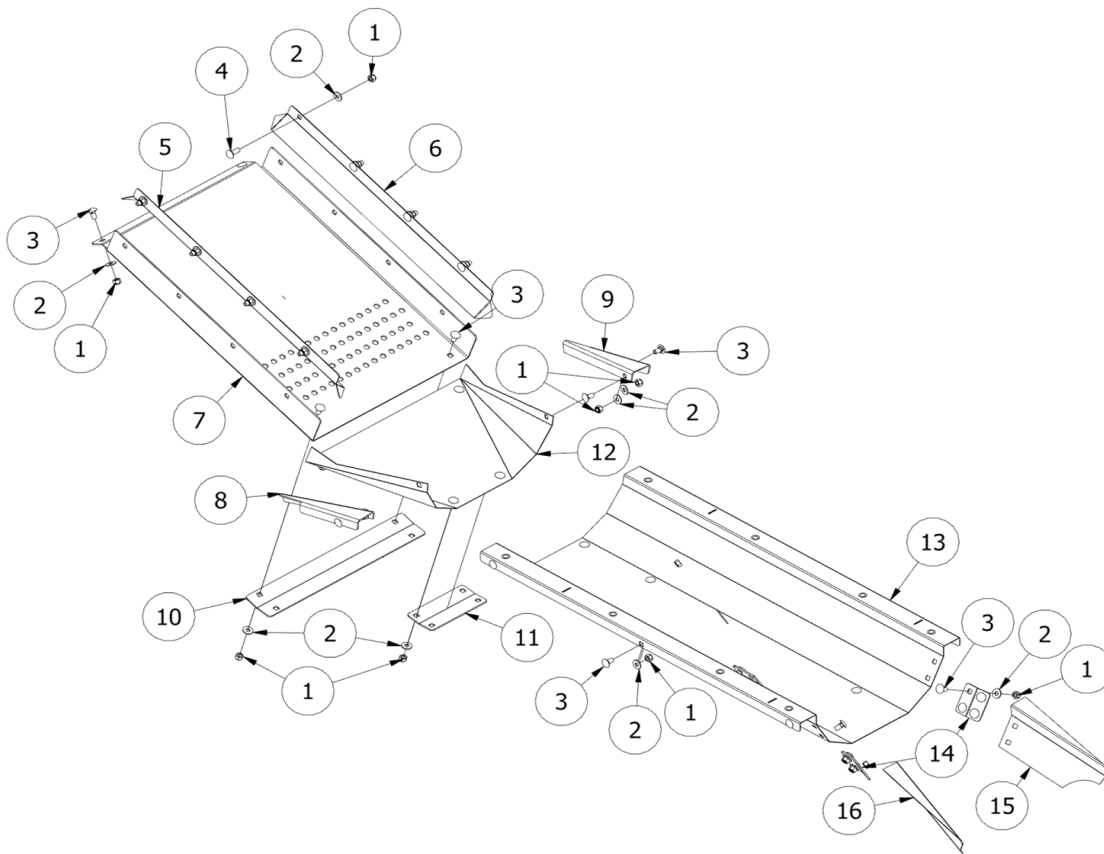
MAIN FRAME, BELT & COVERS				
REF	PART #	DESCRIPTION	UOM	RETAIL
1	0149-400001	Conveyor Belting 17.5" x 192" Laced w /RS125 PVC 120 Eclipse	Ea.	
2	0013-001036	Aluminum Main Frame - Weldment	EA	
3	0013-001012E	Clean Out Cover	EA	
4	0013-001035A	Large Bottom Cover	EA	
5	0013-001012A	Top Cover Bottom Piece	EA	
6	0013-001012B	Top Cover Top Piece	EA	
7	0013-001012C	Small Bottom Cover	EA	
8	0013-001012F	Coupler Box Cover	EA	
9	0013-001012FW	Coupler Box Cover Wireless System	EA	
10	0105-000201	3/8"-16 x 3/4" GR5 - Hex Cap Screw - Full Thread - ZINC	EACH	
11	0101-001001	5/16" USS - Flat Washer - ZINC	EACH	
12	0101-001202	3/8" - Lock Washer - Plated	EACH	
13	0106-000005	1/4" x 1" - Tek Screw w/ Washer (install lag screw)	EACH	



CONVEYOR PANS

NOTE: DISCRPTIONS AND IMIGINES MAY CHANGE AT ANY TIME WITHOUT NOTICE

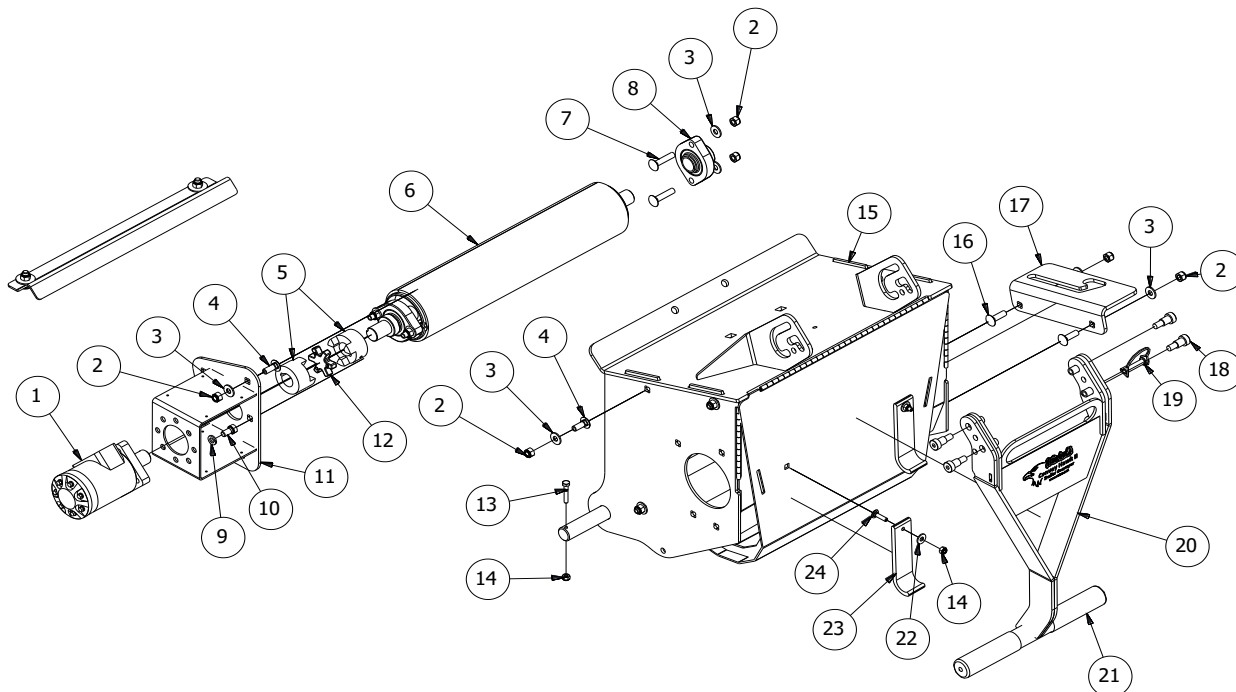
REF	PART #	DESCRIPTION	UOM	RETAIL
1	0100-001102	3/8"-16 GR2 - Nylock Lock Nut - ZINC	EACH	
2	0101-001001	5/16" USS - Flat Washer - ZINC	EACH	
3	0105-009216	3/8"-16 x 3/4" GR5 - Carriage Bolt - Full Thread - ZINC	EACH	
4	0105-009215	3/8"-16 x 1" GR5 - Carriage Bolt - Full Thread - ZINC	EACH	
5	0013-001002J	Bottom Belt Trough Side Guide Plate Stainless Steel_MIR	EA	
6	0013-001002B	Bottom Belt Trough Side Guide Plate (16ga Stainless Steel)	EA	
7	0013-001002A	Bottom Belt Trough	EA	
8	0013-001002I	Front Side Filler	EA	
9	0013-001002H	Rear Side Filler	EA </td <td></td>	
10	0013-001002K	Middle Trough Support Bracket	EA	
11	0013-001002F	Middle and Bottom Trough Bracket	EA	
12	0013-001002L	Bottom Upper Belt Trough (16ga Stainless Steel)	EA	
13	0013-001002C	Middle Belt Trough (16ga Stainless Steel)	EA	
14	0013-001002G	Top and MiddleTrough Bracket	EA	
15	0013-001002E	Top Front Inside Belt Trough - MIR	EA	
16	0013-001002D	Top Front Inside Belt Trough	EA	



TOP HEAD - Ending Fall 2018

NOTE: DISCRPTIONS AND IMIGINES MAY CHANGE AT ANY TIME WITHOUT NOTICE

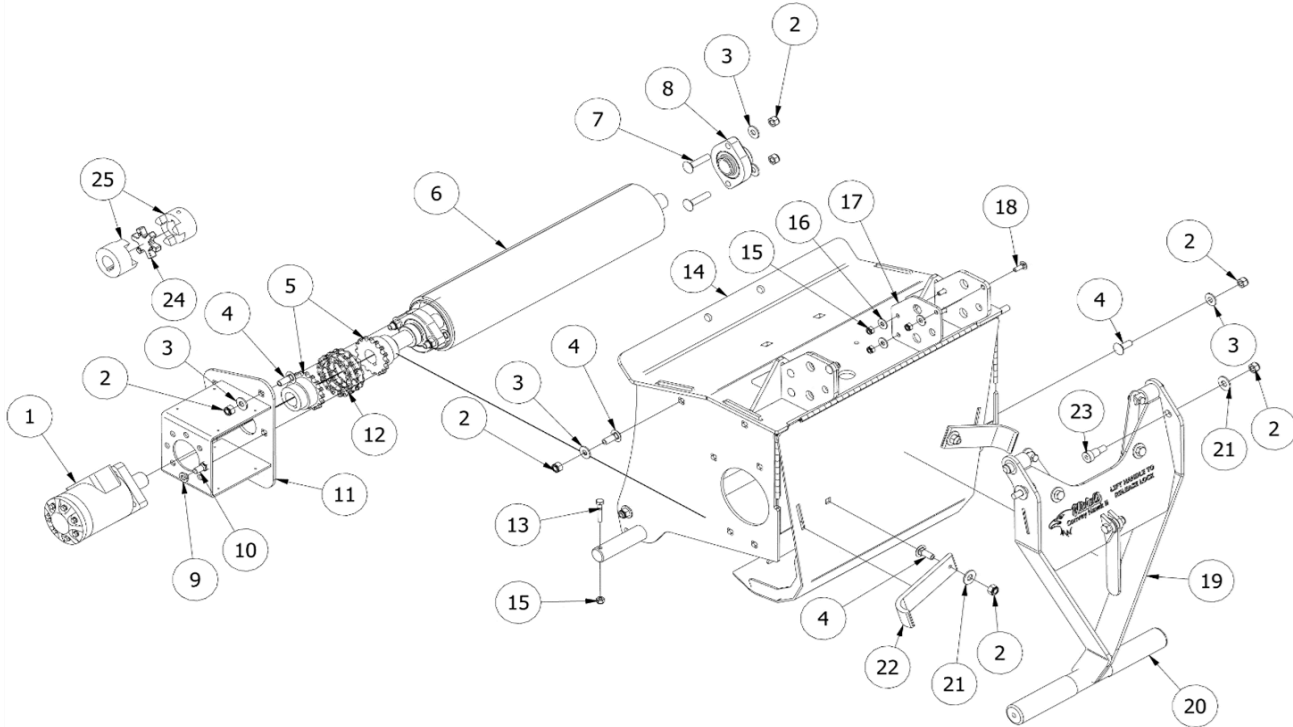
REF	PART #	DESCRIPTION	UOM	RETAIL
1	0146-900002	Hydraulic Motor , 4 BOLT, 1" STR KEYED c/w SAE#10 Ports	EA	
2	0100-001102	3/8"-16 GR2 - Nylock Lock Nut - ZINC	EACH	
3	0101-001001	5/16" USS - Flat Washer - ZINC	EACH	
4	0105-009215	3/8"-16 x 1" GR5 - Carriage Bolt - Full Thread - ZINC	EACH	
5	0146-900001	Jaw Coupling - L095 x 1KW 1/4	EA	
6	0013-001016CHEV	Drive Roller with Belting Complete Assembly (Eriik's Chevron)	EA	
7	0105-009209	3/8"-16 x 1-3/4" GR5 - Carriage Bolt - Full Thread - ZINC	EA	
8	0115-000017	1" Bearing with 2 Bolt Housing Assembly (Conveyors) FDSA205-16	EACH	
9	0101-001202	3/8" - Lock Washer - Plated	EACH	
10	0105-000201	3/8"-16 x 3/4" GR5 - Hex Cap Screw - Full Thread - ZINC	EACH	
11	0013-001017	Lovejoy Motor Mount	EA	
12	0146-900006	RUBBER SPIDER for Jaw Coupling - Master MS095	EA	
13	0105-000005	1/4"-20 x 1-1/2" GR5 - Hex Cap Screw	EACH	
14	0100-001100	1/4"-20 GR2 - Nylock Lock Nut - ZINC	EACH	
15	0013-001003	Aluminum Top Head Assembly (original folding handle) (used upto Fall 2018)	EA	
16	0105-009203	3/8" x 1-1/4" - Carriage Bolt	EACH	
17	0013-001023	Hopper Handle Lock Bracket	EA	
18	0105-006403	1/2" x 5/8" - Socket Shoulder Bolt	EA	
19	0110-000032	3/8" x 1-3/8" - Round Double Wire Lock Pin - ZINC	EACH	
20	0013-001013	Handle Assembly Aluminum	EA	
21	0113-000073	Round Tapered Grip: Handle Style 1.250" Hole Diameter	EA.	
22	0101-001000	1/4" USS - Flat Washer - ZINC	EACH	
23	0013-000131	CH18 Spout Lock Handle	EA	
24	0105-009003	1/4" x 1 " NC GR5 - Carriage Bolt - Ylw Zinc	EACH	



TOP HEAD - Beginning 2019

NOTE: DISCRPTIONS AND IMIGINES MAY CHANGE AT ANY TIME WITHOUT NOTICE

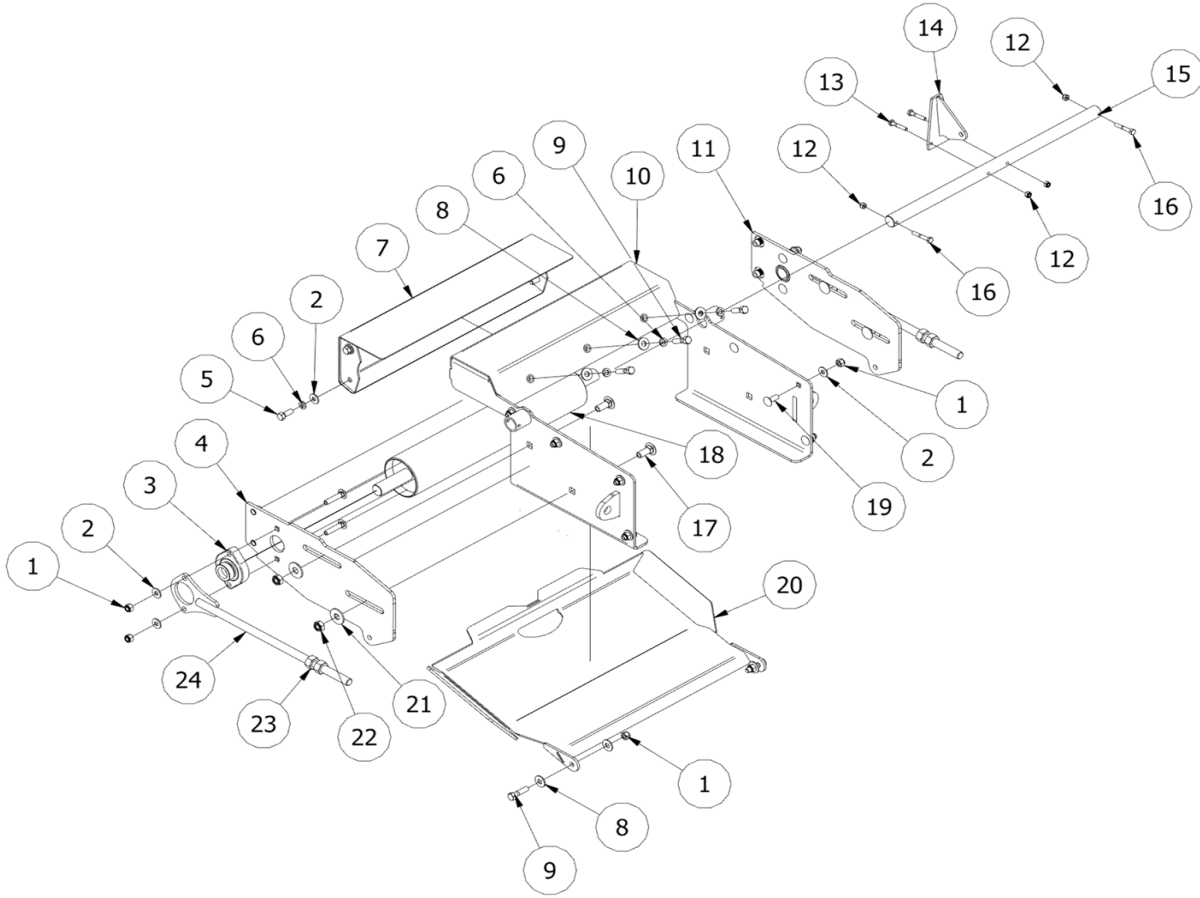
REF	PART #	DESCRIPTION	UOM	RETAIL
1	0146-900002	Hydraulic Motor , 4 BOLT, 1" STR KEYED c/w SAE#10 Ports	EA	
2	0100-001102	3/8"-16 GR2 - Nylock Lock Nut - ZINC	EACH	
3	0101-001001	5/16" USS - Flat Washer - ZINC	EACH	
4	0105-009215	3/8"-16 x 1" GR5 - Carriage Bolt - Full Thread - ZINC	EACH	
5	0146-900023	4016 Hub Chain Coupling - 1" ID	EA	
6	0013-001016CHEV	Drive Roller with Belting Complete Assembly (Erik's Chevron)	EA	
7	0105-009209	3/8"-16 x 1-3/4" GR5 - Carriage Bolt - Full Thread - ZINC	EA	
8	0115-000017	1" Bearing with 2 Bolt Housing Assembly (Conveyors) FDSA205-16	EACH	
9	0101-001202	3/8" - Lock Washer - Plated	EACH	
10	0105-000201	3/8"-16 x 3/4" GR5 - Hex Cap Screw - Full Thread - ZINC	EACH	
11	0013-001017	Lovejoy Motor Mount	EA	
12	0146-900024	4016 Double Chain Coupler	EA	
13	0105-000005	1/4"-20 x 1-1/2" GR5 - Hex Cap Screw	EACH	
14	0013-003003	Aluminum Top Head Assembly (Pinned fold down handle) (2019 and newer)	EA	
15	0100-001100	1/4"-20 GR2 - Nylock Lock Nut - ZINC	EACH	
16	0101-001000	1/4" USS - Flat Washer - ZINC	EACH	
17	0013-003004	Spacer Plate (10ga Stainless Steel)	EA	
18	0105-009002	1/4"-20 x 3/4" GR5 - Carriage Bolt - Full Thread - ZINC	EACH	
19	0013-003014	Complete Conveyor Lock Handle Assembly	EA	
20	0113-000073	Round Tapered Grip: Handle Style 1.250" Hole Diameter	EA.	
21	0101-001002	3/8" USS - Flat Washer - ZINC	EACH	
22	0013-000131	CH18 Spout Lock Handle	EA	
23	0105-006403	1/2" x 5/8" - Socket Shoulder Bolt	EA	
Obsolete - As of Fall 2019				
24	0146-900006	RUBBER SPIDER for Jaw Coupling - Master MS095	EA	
25	0146-900001	Jaw Coupling - L095 x 1KW 1/4	EA	



BOTTOM END

NOTE: DISCRPTIONS AND IMIGINES MAY CHANGE AT ANY TIME WITHOUT NOTICE

REF	PART #	DESCRIPTION	UOM	RETAIL
1	0100-001102	3/8"-16 GR2 - Nylock Lock Nut - ZINC	EACH	
2	0101-001001	5/16" USS - Flat Washer - ZINC	EACH	
3	0115-000017	1" Bearing with 2 Bolt Housing Assembly (Conveyors) FDSA205-16	EACH	
4	0013-001031	Belt Tentioner Guide Plate Assembly MIR	EA	
5	0105-000202	3/8"-16 x 1" GR5 - Hex Cap Screw - Full Thread - ZINC	EACH	
6	0101-001202	3/8" - Lock Washer - Plated	EACH	
7	0013-001010	Bottom End Cover	EA	
8	0101-001002	3/8" USS - Flat Washer - ZINC	EACH	
9	0105-000204	3/8"-16 x 1-1/2" GR5 - Hex Cap Screw - ZINC	EACH	
10	0013-001005	Bottom Frame Assembly	EA	
11	0013-001030	Belt Tentioner Guide Plate Assembly	EA	
12	0100-001100	1/4"-20 GR2 - Nylock Lock Nut - ZINC	EACH	
13	0105-000005	1/4"-20 x 1-1/2" GR5 - Hex Cap Screw	EACH	
14	0013-001014B	Lock Guide Upright Stainless Steel Assembly	EA	
15	0013-001014A	Lock Cross Shaft	EA	
16	0105-000006	1/4"-20 x 1-3/4" GR5 - Hex Cap Screw - ZINC	EACH	
17	0105-009417	1/2"-13 x 1-1/4" GR5 - Carriage Bolt - Full Thread - ZINC	EACH	
18	0013-001015	Idler Roller Aluminum Assembly	EA	
19	0105-009215	3/8"-16 x 1" GR5 - Carriage Bolt - Full Thread - ZINC	EACH	
20	0013-001032	Clean Out Door	EA	
21	0101-001004	1/2" USS - Flat Washer - ZINC	EACH	
22	0100-001104	1/2"-13 GR2 - Nylock Lock Nut - ZINC	EACH	
23	0100-001005	5/8"-11 GR2 - Hex Nut - ZINC	EACH	
24	0013-001008	Belt Tensioner Weldment	EA	

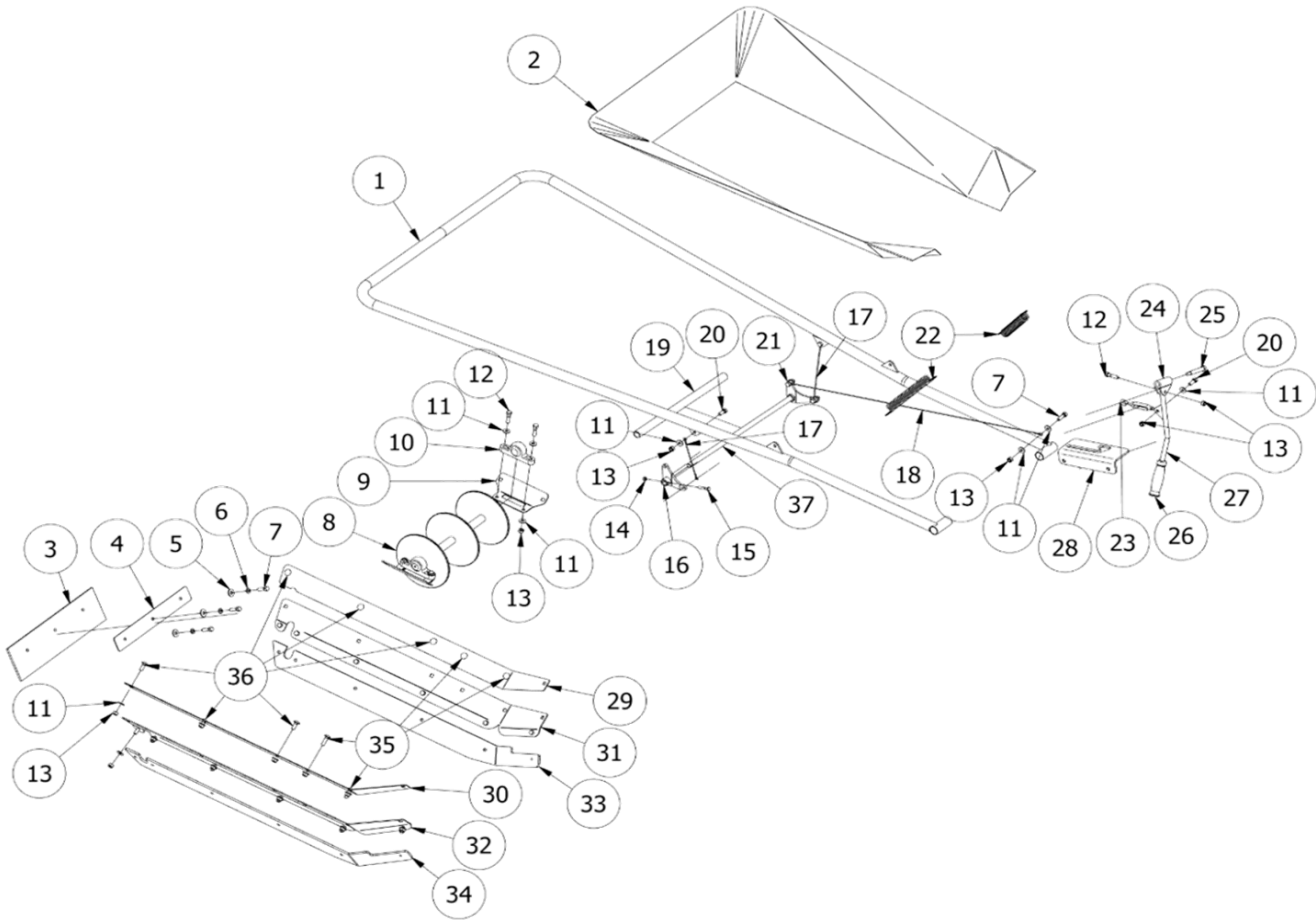


HOPPER COMPONENTS**NOTE: DISCRPTIONS AND IMIGINES MAY CHANGE AT ANY TIME WITHOUT NOTICE**

REF	PART #	DESCRIPTION	UOM	RETAIL
1	0013-001018	Hopper Intake Tub Assembly	EA	
2	0013-001011K	Conveyor Hopper Sewn Material	EA	
3	0013-001011G	Passenger Side Hopper Belting Seal	EA	
4	0013-001011H	Rear Hopper Insert Small Panel	EA	
5	0101-001002	3/8" USS - Flat Washer - ZINC	EACH	
6	0101-001202	3/8" - Lock Washer - Plated	EACH	
7	0105-000203	3/8"-16 x 1-1/4" GR5 - Hex Cap Screw - Full Thread - ZINC	EACH	
8	0013-001011A	Idler Wheel Assembly	EA	
9	0013-001011B	Idler Bearing Hopper Mounting Plate	EA	
10	0115-004006	Igus Pillow Block & Bearing Unit - Low Profile	EACH	
11	0101-001001	5/16" USS - Flat Washer - ZINC	EACH	
12	0105-000204	3/8"-16 x 1-1/2" GR5 - Hex Cap Screw - ZINC	EACH	
13	0100-001102	3/8"-16 GR2 - Nylock Lock Nut - ZINC	EACH	
14	0100-001100	1/4"-20 GR2 - Nylock Lock Nut - ZINC	EACH	
15	0105-000005	1/4"-20 x 1-1/2" GR5 - Hex Cap Screw	EACH	
16	0013-001022	Front Hopper Link Arm	EA	
17	0013-001028	Short Link Cable	LGTH	
18	0013-001026	Long Hopper Control Link Cable	EA	
19	0013-000130	CH18 Belt Bottom Roller 1" OD x 3/4"ID Nylatron	EA	
20	0105-000202	3/8"-16 x 1" GR5 - Hex Cap Screw - Full Thread - ZINC	EACH	
21	0013-001021	Hopper Link Arm	EA	
22	0117-004001	Extension Spring 0.128" Gal Wire X 1.14"OD X 6-3/4" Inside Hooks	EACH	
23	0112-000305	Turnbuckle Eye to Eye 1/4"-20 3 IN	EACH	
24	0013-001024	Hopper Handle Top Pivot - Old Style	EA	
25	0105-006404	1/2" x 2-3/4" - Socket Shoulder Bolt	EA	
26	0113-000015	Black Plastic Grip (Small Hole-SR)	EACH	
27	0013-001025	Hopper Handle Bottom	EA	
28	0013-001023	Hopper Handle Lock Bracket	EA	
29	0013-001011I	Rear Hopper Insert Panel	EA	
30	0013-001011J	Front Hopper Insert Panel	EA	
31	0013-001011C	Rear Hopper Inside Panel	EA	
32	0013-001011D	Front Hopper Inside Panel_MIR	EA	
33	0013-001011E	Rear Hopper Belting Seal Strip Seal	EA	
34	0013-001011F	Front Hopper Belting Seal Strip_MIR	EA	
35	0105-009203	3/8" x 1-1/4" - Carriage Bolt	EACH	
36	0105-009215	3/8"-16 x 1" GR5 - Carriage Bolt - Full Thread - ZINC	EACH	
37	0013-001020A	Idler Cross Shaft	EA	

HOPPER COMPONENTS

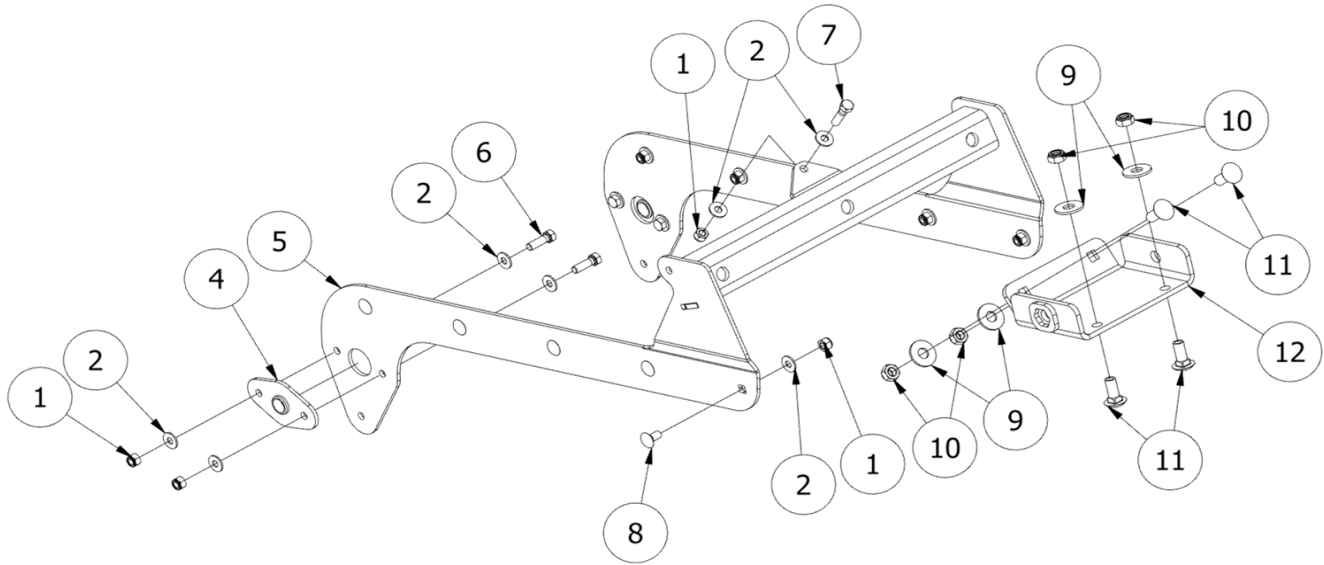
NOTE: DISCRIPTIONS AND IMIGINES MAY CHANGE AT ANY TIME WITHOUT NOTICE



LIFT COMPONENTS

NOTE: DISCRIPTIONS AND IMIGINES MAY CHANGE AT ANY TIME WITHOUT NOTICE

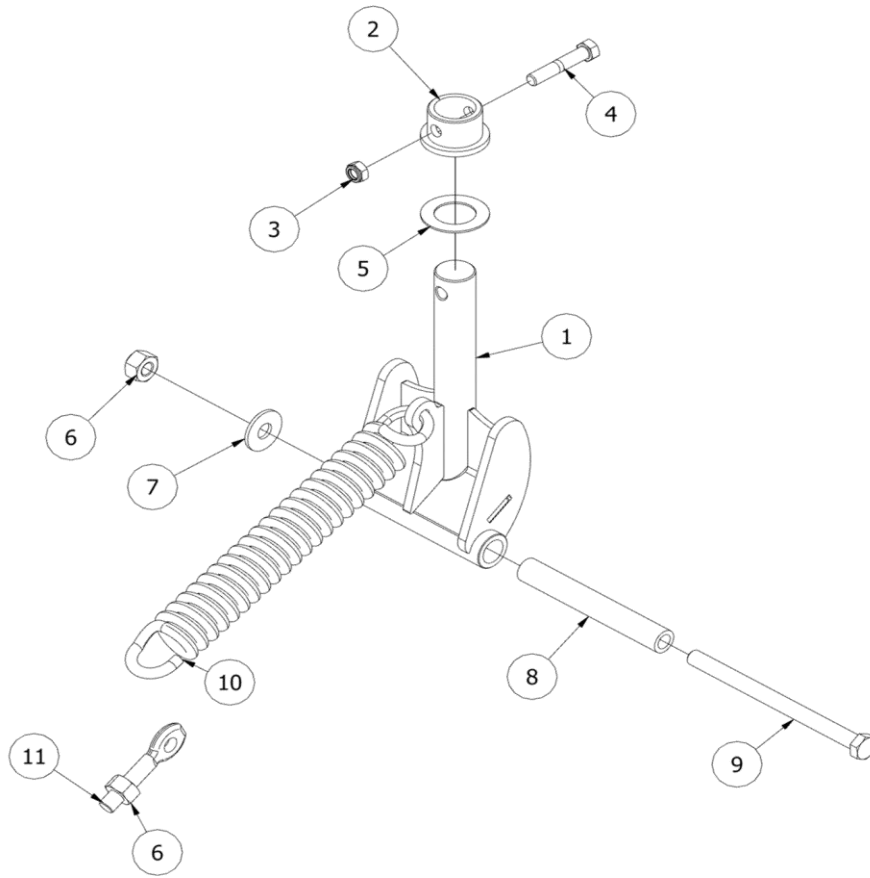
REF	PART #	DESCRIPTION	UOM	RETAIL
1	0100-001102	3/8"-16 GR2 - Nylock Lock Nut - ZINC	EACH	
2	0101-001001	5/16" USS - Flat Washer - ZINC	EACH	
3	0113-000077	Bushing 5/8" ID x 3/4" OD x 1/2" Long G300 - GSI-1012-08	EA	
4	0013-001019	Idler Shaft Guide Bracket	EA	
5	0013-001034	Lift Assembly	EA	
6	0105-000203	3/8"-16 x 1-1/4" GR5 - Hex Cap Screw - Full Thread - ZINC	EACH	
7	0105-000204	3/8"-16 x 1-1/2" GR5 - Hex Cap Screw - ZINC	EACH	
8	0105-009216	3/8"-16 x 3/4" GR5 - Carriage Bolt - Full Thread - ZINC	EACH	
9	0101-001004	1/2" USS - Flat Washer - ZINC	EACH	
10	0100-001104	1/2"-13 GR2 - Nylock Lock Nut - ZINC	EACH	
11	0105-009417	1/2"-13 x 1-1/4" GR5 - Carriage Bolt - Full Thread - ZINC	EACH	
12	0013-001027	Head Steel Hanger Plate	LGTH	



UNIVERSAL SINGLE SPRING PACKAGE

NOTE: DISCRIPTIONS AND IMIGINES MAY CHANGE AT ANY TIME WITHOUT NOTICE

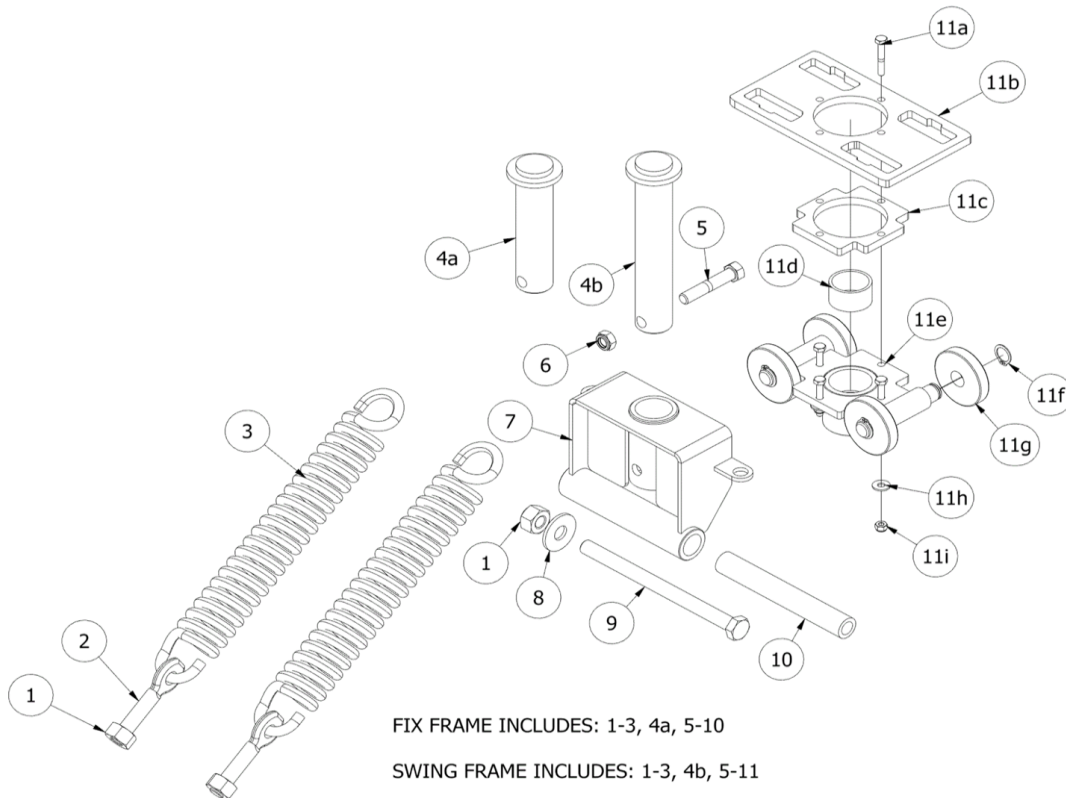
REF	PART #	DESCRIPTION	UOM	RETAIL
1	0013-001303B	CH18 TC Universal Joint	EA	
2	0013-000303C	CH18 TC Vert Pivot Cap	EA	
3	0100-001104	1/2"-13 GR2 - Nylock Lock Nut - ZINC	EACH	
4	0109-000407	1/2"-13 x 2-1/2" L9 - Hex Cap Screw - YZ	EACH	
5	0101-001010	1-1/2" - Flat Washer - Hardened Steel 1.531ID x .075" thick	EACH	
6	0100-001105	5/8"-11 GR2 - Nylock Lock Nut - ZINC	EACH	
7	0101-001005	5/8" USS - Flat Washer - ZINC	EACH	
8	0013-000303D	CH18 UB Nylatron Bushing	EA	
9	0105-000513	5/8"-11 x 8-1/2" GR5 - Hex Cap Screw	EACH	
10	0117-005000	SA/LG/CB SPRING 02-200554-1 SPR2173 (Conveyor) BLACK	EACH	
11	0105-000512	5/8"-11 x 6" GR5 - OAL NC SPADE BOLT 4" TL 19/32" HOLE (JS500)	EACH	
1-11	0013-001303	C - CHII TC Universal Spring Package	EA	



UNIVERSAL DOUBLE SPRING PACKAGE

NOTE: DISCRPTIONS AND IMIGINES MAY CHANGE AT ANY TIME WITHOUT NOTICE

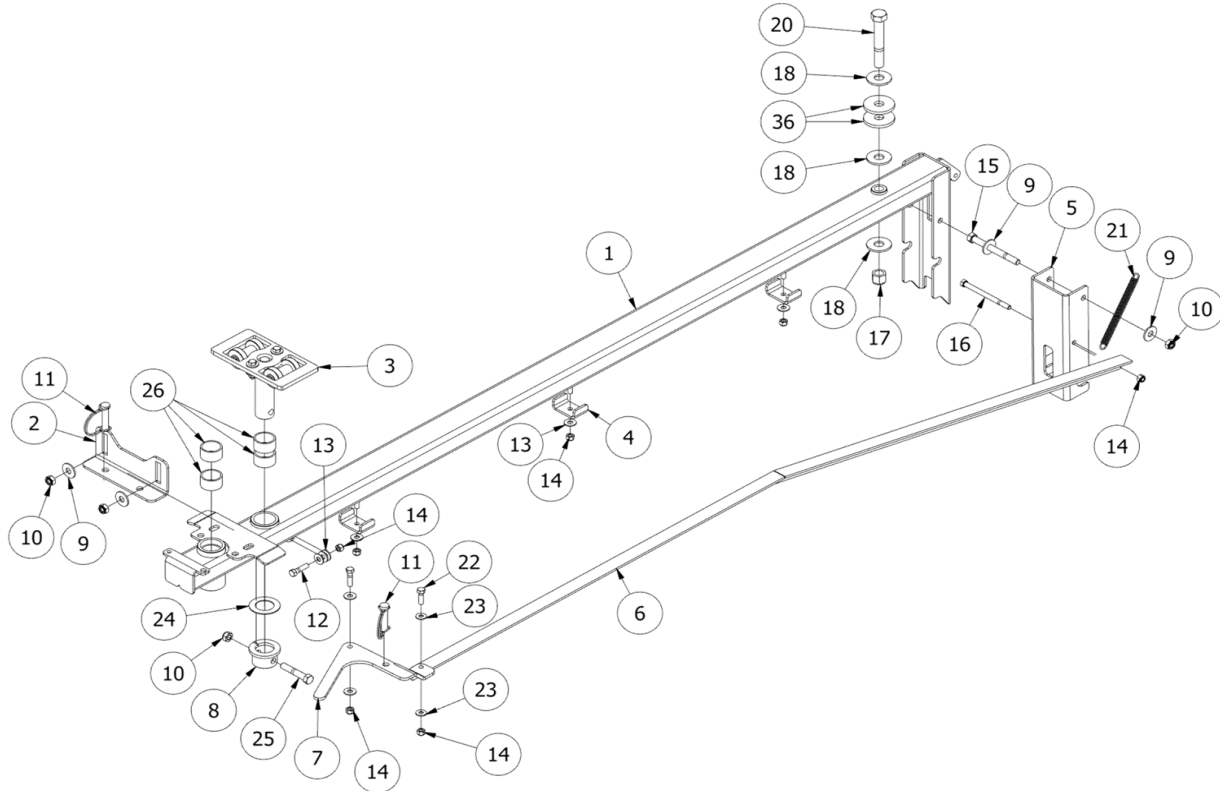
REF	PART #	DESCRIPTION	UOM	RETAIL
1-3,4A,5-10	0013-002311	Universal Mount Fixed Frame Kit	EA	
1-3,4b,5-11	0013-002510	LW Universal Mount Swing Frame Kit	EA	
1	0100-001105	5/8"-11 GR2 - Nylock Lock Nut - ZINC	EACH	
2	0105-000512	5/8"-11 x 6" GR5 - OAL NC SPADE BOLT 4" TL 19/32" HOLE (JS500)	EACH	
3	0117-005000	SA/LG/CB SPRING 02-200554-1 SPR2173 (Conveyor) BLACK	EACH	
4a	0013-002313	Fixed Frame Pivot Shaft Weld Assembly	EA	
4b	0013-002314	Swing Frame Pivot Shaft Weld Assembly	EA	
5	0105-000409	1/2"-13 x 2-3/4" GR 8 - Hex Cap Screw - YZ	EACH	
6	0100-001104	1/2"-13 GR2 - Nylock Lock Nut - ZINC	EACH	
7	0013-002312	Universal Mount Weld Assembly	EA	
8	0101-001005	5/8" USS - Flat Washer - ZINC	EACH	
9	0105-000513	5/8"-11 x 8-1/2" GR5 - Hex Cap Screw	EACH	
10	0013-000303D	CH18 UB Nylatron Bushing	EA	
11	0013-002500	LW Swing Trolley Assembly	EA	
11a	0105-000006	1/4"-20 x 1-3/4" GR5 - Hex Cap Screw - ZINC	EACH	
11b	0013-002504	LW Trolley Alignment Pad	EA	
11c	0013-002503	LW Trolley Spacer Plate	EA	
11d	0113-000074	Bushing 1.5"ID x 1.75" OD x 1.0" Iglide M250 Sleeve Bearing	EA	
11e	0013-002501	LW Swing Trolley Weld Assembly	EA	
11f	0110-000101	SNAP RING - External for 3/4" #75 YZ	EACH	
11g	0013-002506	LW Bearing Nylonon NSM Grey	EA	
11h	0101-001000	1/4" USS - Flat Washer - ZINC	EACH	
11i	0100-001100	1/4"-20 GR2 - Nylock Lock Nut - ZINC	EACH	



LOCK FRAME PACKAGE

NOTE: DISCRPTIONS AND IMIGINES MAY CHANGE AT ANY TIME WITHOUT NOTICE

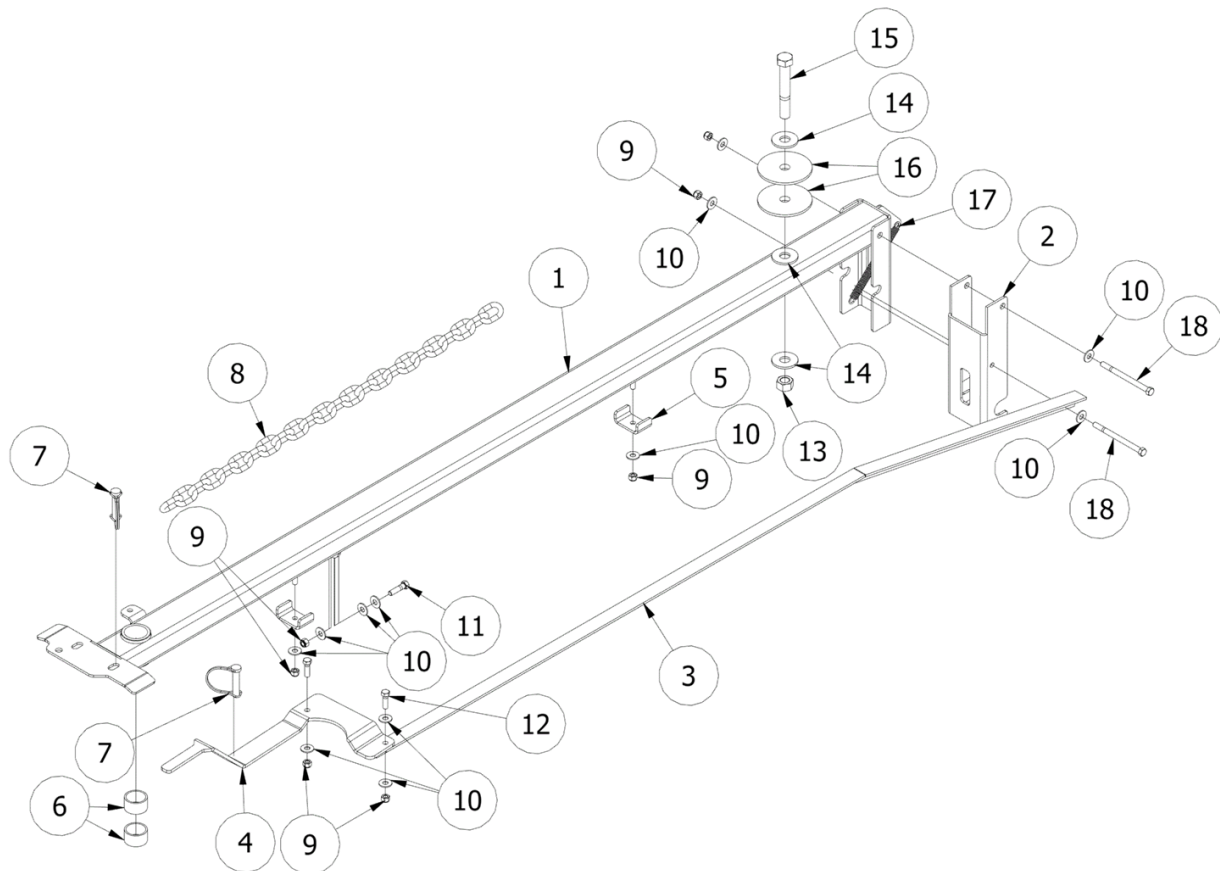
REF	PART #	DESCRIPTION	UOM	RETAIL
1	0013-001307WF	CHII Lock Frame Kit	EA	
2	0013-000305	Ch18 SF Lock Plate Assembly	EA	
3	0013-000306	CH18 Swinging Trolley Assembly	EA	
4	0013-000301B	Ch18 Hose Clamp Half Inch (3/16" Steel)	EA	
5	0013-001307E	Pivot Lock Plate	EA	
6	0013-001307F	Lock Latch Puller Angle Iron Aluminum	EA	
7	0013-001307D	CHII Unlock Handle	EA	
8	0013-000303C	CH18 TC Vert Pivot Cap	EA	
9	0101-001004	1/2" USS - Flat Washer - ZINC	EACH	
10	0100-001104	1/2"-13 GR2 - Nylock Lock Nut - ZINC	EACH	
11	0110-000033	1/2" x 3" Usable x 1 3/8" IH Square .Wire Lock Pins	EACH	
12	0105-000204	3/8"-16 x 1-1/2" GR5 - Hex Cap Screw - ZINC	EACH	
13	0101-001002	3/8" USS - Flat Washer - ZINC	EACH	
14	0100-001102	3/8"-16 GR2 - Nylock Lock Nut - ZINC	EACH	
15	0105-000418	1/2"-13 x 5" GR5 - Hex Cap Screw	EACH	
16	0105-000218	3/8"-16 x 5" GR5 - Hex Cap Screw - ZINC	EACH	
17	0100-001106	3/4"-10 GR2 - Nylock Lock Nut - ZINC	EACH	
18	0101-001006	3/4" USS - Flat Washer - ZINC - Tariff# 7318.2200	EACH	
19	0013-000301A	CH18 Washer Pad 1/4" UHMW	EA	
20	0105-000615	3/4"-10 x 5" GR5 - Hex Cap Screw	EACH	
21	0117-004000	Extension Spring 11/16" x 4-3/4" x .091	EACH	
22	0105-000203	3/8"-16 x 1-1/4" GR5 - Hex Cap Screw - Full Thread - ZINC	EACH	
23	0101-001001	5/16" USS - Flat Washer - ZINC	EACH	
24	0101-001010	1-1/2" - Flat Washer - Hardened Steel 1.531ID x .075" thick	EACH	
25	0109-000407	1/2"-13 x 2-1/2" L9 - Hex Cap Screw - YZ	EACH	
26	0113-000074	Bushing 1.5"ID x 1.75" OD x 1.0" Iglide M250 Sleeve Bearing	EA	
1-25	0013-001307	CHII Swinging Lock Frame Kit	EA	



SUB FRAME PACKAGE

NOTE: DISCRPTIONS AND IMIGINES MAY CHANGE AT ANY TIME WITHOUT NOTICE

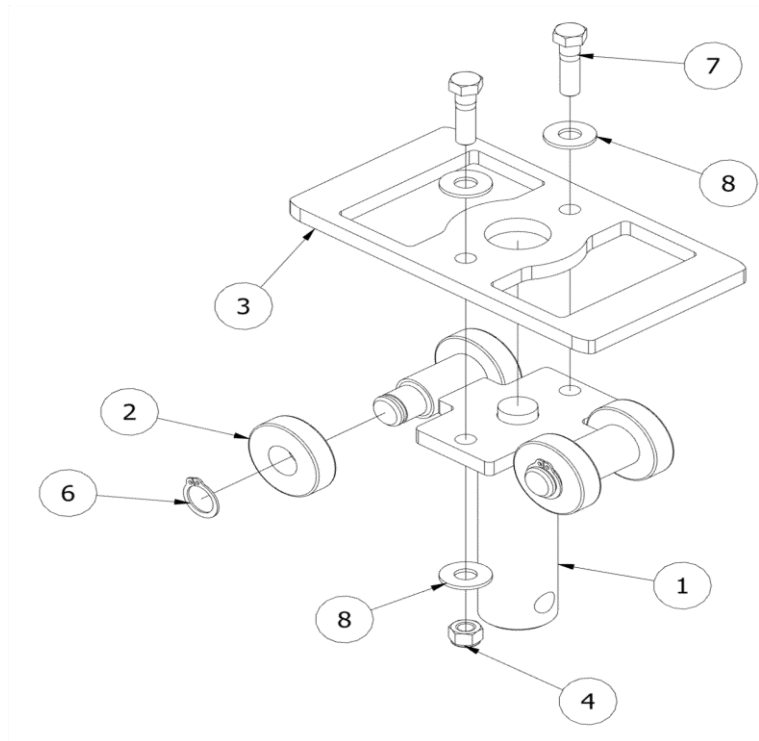
REF	PART #	DESCRIPTION	UOM	RETAIL
1	0013-002351	Welded Sub Frame	EA	
2	0013-002352	Pivot Lock Plate	EA	
3	0013-002354	Lock Latch Puller Angle Iron	EA	
4	0013-002353	Release Handle	EA	
5	0013-000301B	Ch18 Hose Clamp Half Inch (3/16" Steel)	EA	
6	0113-000074	Bushing 1.5"ID x 1.75" OD x 1.0" Iglide M250 Sleeve Bearing	EA	
7	0110-000033	1/2" x 3" Usable x 1 3/8" IH Square .Wire Lock Pins	EACH	
8	0116-002100	1/4" LOGGING CHAIN GR30 plated	ft.	
9	0100-001102	3/8"-16 GR2 - Nylock Lock Nut - ZINC	EACH	
10	0101-001002	3/8" USS - Flat Washer - ZINC	EACH	
11	0105-000204	3/8"-16 x 1-1/2" GR5 - Hex Cap Screw - ZINC	EACH	
12	0105-000203	3/8"-16 x 1-1/4" GR5 - Hex Cap Screw - Full Thread - ZINC	EACH	
13	0100-001106F	3/4"-16 GR2 (Fine) - Nylock Lock Nut - ZINC	EACH	
14	0101-001006	3/4" USS - Flat Washer - ZINC - Tariff# 7318.2200	EACH	
15	0105-000615F	3/4"-16 x 5" GR5 - Hex Cap Screw - Fine Thread	EACH	
16	0013-002505	LW Washer Pad	EA	
17	0117-004000	Extension Spring 11/16" x 4-3/4" x .091	EACH	
18	0105-000218	3/8"-16 x 5" GR5 - Hex Cap Screw - ZINC	EACH	
1-18	0013-002350	Sub Frame Assembly	EA	



SUB FRAME PACKAGE

NOTE: DISCRIPTIONS AND IMIGINES MAY CHANGE AT ANY TIME WITHOUT NOTICE

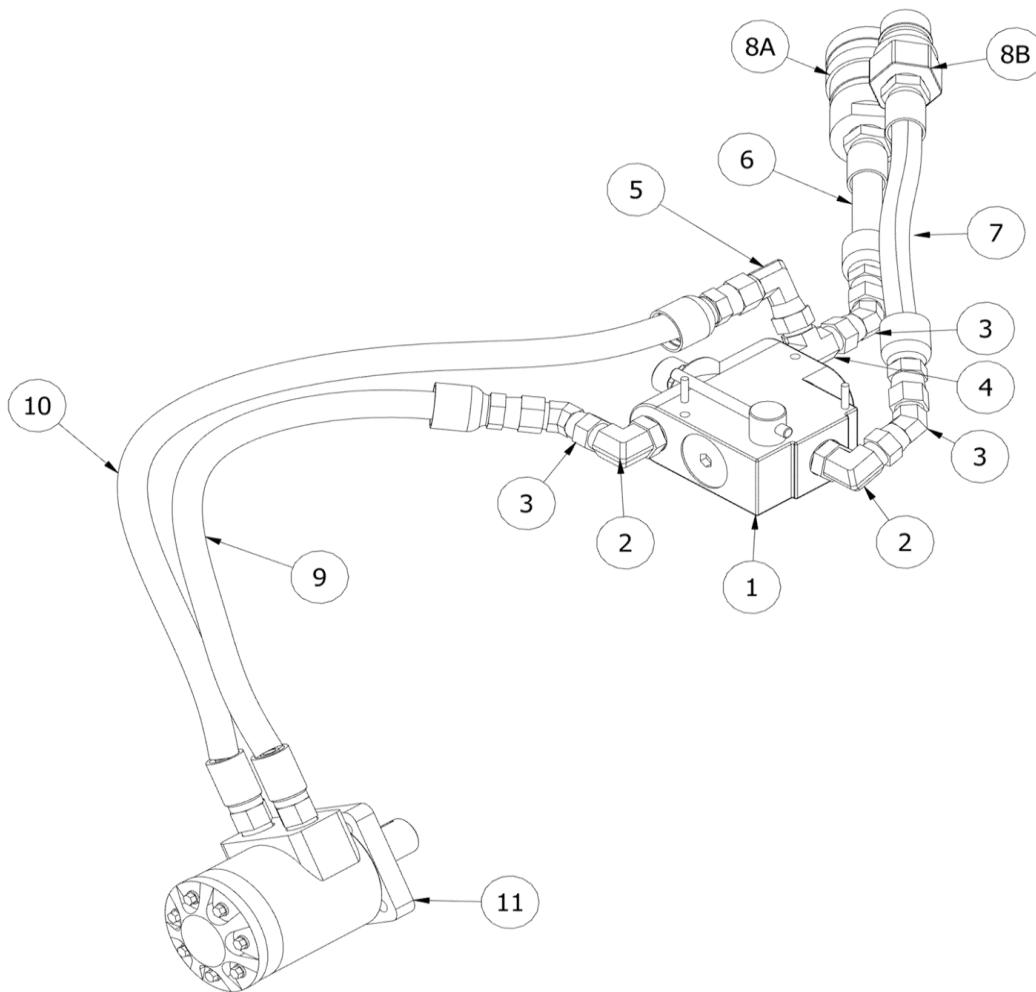
REF	PART #	DESCRIPTION	UOM	RETAIL
1	0013-000306A	CH18 Swinging Trolley	EA	
2	0013-000306C	CH18 Bearing Nylaston NSM Grey	EA	
3	0013-000306B	CH18 Alignment Pad	EA </td <td></td>	
4	0100-001102	3/8"-16 GR2 - Nylock Lock Nut - ZINC	EACH	
6	0110-000101	SNAP RING - External for 3/4" #75 YZ	EACH	
7	0105-000204	3/8"-16 x 1-1/2" GR5 - Hex Cap Screw - ZINC	EACH	
8	0101-001002	3/8" USS - Flat Washer - ZINC	EACH	
1-8	0013-000306	CH18 Swinging Trolley Assembly	EA	



STANDARD MANUAL FLOW CONTROL

NOTE: DISCRIPTIONS AND IMIGINES MAY CHANGE AT ANY TIME WITHOUT NOTICE

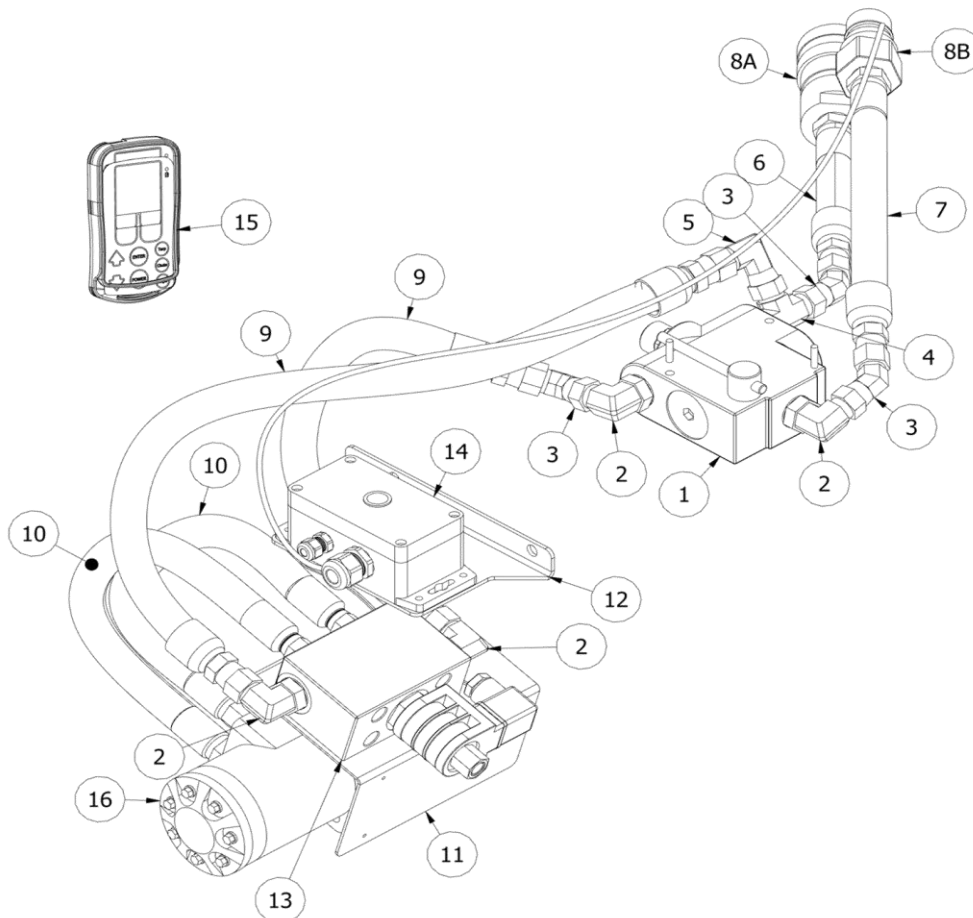
REF	PART #	DESCRIPTION	UOM	RETAIL
1	0146-900003	Valve Flow Control c/w 10SAE Ports W Relief, Brand Model Black	EA	
2	0146-900008	#10 ORB Male x #8 JIC Male 90 Degree Elbow	EA	
3	0146-900016	#8 JIC Female Swivel x #8 JIC Male 45 Degree Elbow	EA	
4	0146-900007	#10 ORB Male x #8 JIC Male Tee	EA	
5	0146-900009	#8 JIC Female Swivel x #8 JIC Male 90 Degree Elbow	EA	
6	0146-900017	Hydraulic Hose Ass 1/2" Hose - #8 JIC Fem Swivel x 1/2" NPT Male- 9" long	EA	
7	0146-900018	Hydraulic Hose Ass 1/2" Hose - #8 JIC Fem Swivel x 1/2" NPT Male- 15" long	EA	
8	0146-300011	set of Quick Couplers Male & Female	EACH	
8A	0146-300010	Quick Coupler Female - Pressure - Poppet Style	EACH	
8B	0146-300012	Male Quick Coupler 1/2" - Poppet Style	EACH	
9	0146-900004	Hydraulic Hose Ass 1/2" Hose - #8 JIC Fem Swivel x #10SAE ORB Male- 23" long	EA	
10	0146-900005	Hydraulic Hose Ass 1/2" Hose - #8 JIC Fem Swivel x #10SAE ORB Male- 30" long	EA	
1-10	0013-002102	Conveyor -Standard Manual Hydraulic Flow Control	EA	
11	0146-900002	Hydraulic Motor , 4 BOLT, 1" STR KEYED c/w SAE#10 Ports	EA	



WIRELESS FLOW CONTROL

NOTE: DISCRPTIONS AND IMIGINES MAY CHANGE AT ANY TIME WITHOUT NOTICE

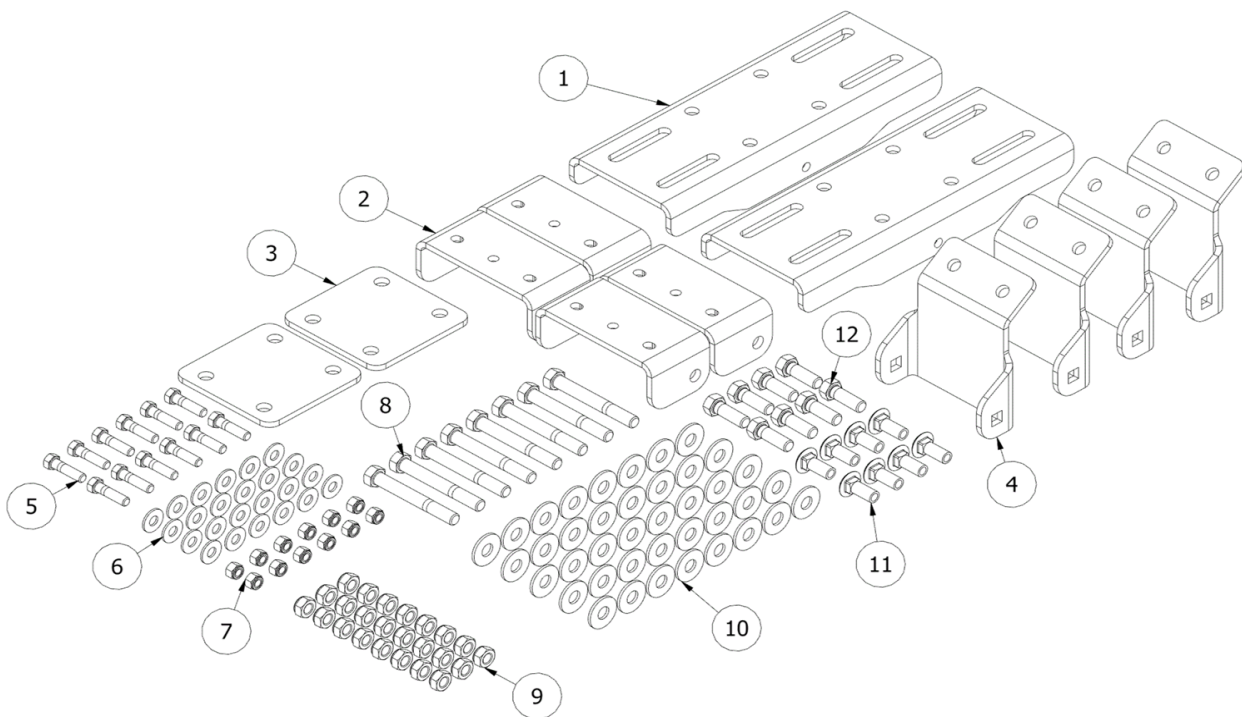
REF	PART #	DESCRIPTION	UOM	RETAIL
1	0146-900003	Valve Flow Control c/w 10SAE Ports W Relief, Brand Model Black	EA	
2	0146-900008	#10 ORB Male x #8 JIC Male 90 Degree Elbow	EA	
3	0146-900016	#8 JIC Female Swivel x #8 JIC Male 45 Degree Elbow	EA	
4	0146-900007	#10 ORB Male x #8 JIC Male Tee	EA	
5	0146-900009	#8 JIC Female Swivel x #8 JIC Male 90 Degree Elbow	EA	
6	0146-900017	Hydraulic Hose Ass 1/2" Hose - #8 JIC Fem Swivel x 1/2" NPT Male- 9" long	EA	
7	0146-900018	Hydraulic Hose Ass 1/2" Hose - #8 JIC Fem Swivel x 1/2" NPT Male- 15" long	EA	
8	0146-300011	set of Quick Couplers Male & Female	EACH	
8A	0146-300010	Quick Coupler Female - Pressure - Poppet Style	EACH	
8B	0146-300012	Male Quick Coupler 1/2" - Poppet Style	EACH	
9	0146-900020	Hydraulic Hose Ass 1/2" Hose - #8 JIC Fem Swivel Both Ends - 27" long	EA	
10	0146-900019	Hydraulic Hose Assem 1/2" Hose-3/8"NPT Male Swivel x #10SAE ORB Male- 21" long	EA	
11	0013-001012FW	Coupler Box Cover Wireless System	EA	
12	0013-000002C	Wireless Remote Box Bracket	EA	
13	0013-000002D	C - Soleniod Assem C/W AI Block (Assembled) - DIN Connectors Modified Conveyors	EA	
14&13	0013-000002B	Conveyor - Wireless Components only	EA	
2,10-14	0013-000007	Conveyor - Update to Wireless Control - Chute Opener must be output ready	EA	
1-14	0013-002101	Conveyor -200 Series Wireless Remote Purchased with Chute Openers	EA	
15	0145-910060	R200 Remote - Used for All 200 Series Wireless Components c/w Charger	EA	
16	0146-900002	Hydraulic Motor , 4 BOLT, 1" STR KEYED c/w SAE#10 Ports	EA	



STANDARD FIXED FRAME MOUNTING KIT

NOTE: DISCRPTIONS AND IMIGINES MAY CHANGE AT ANY TIME WITHOUT NOTICE

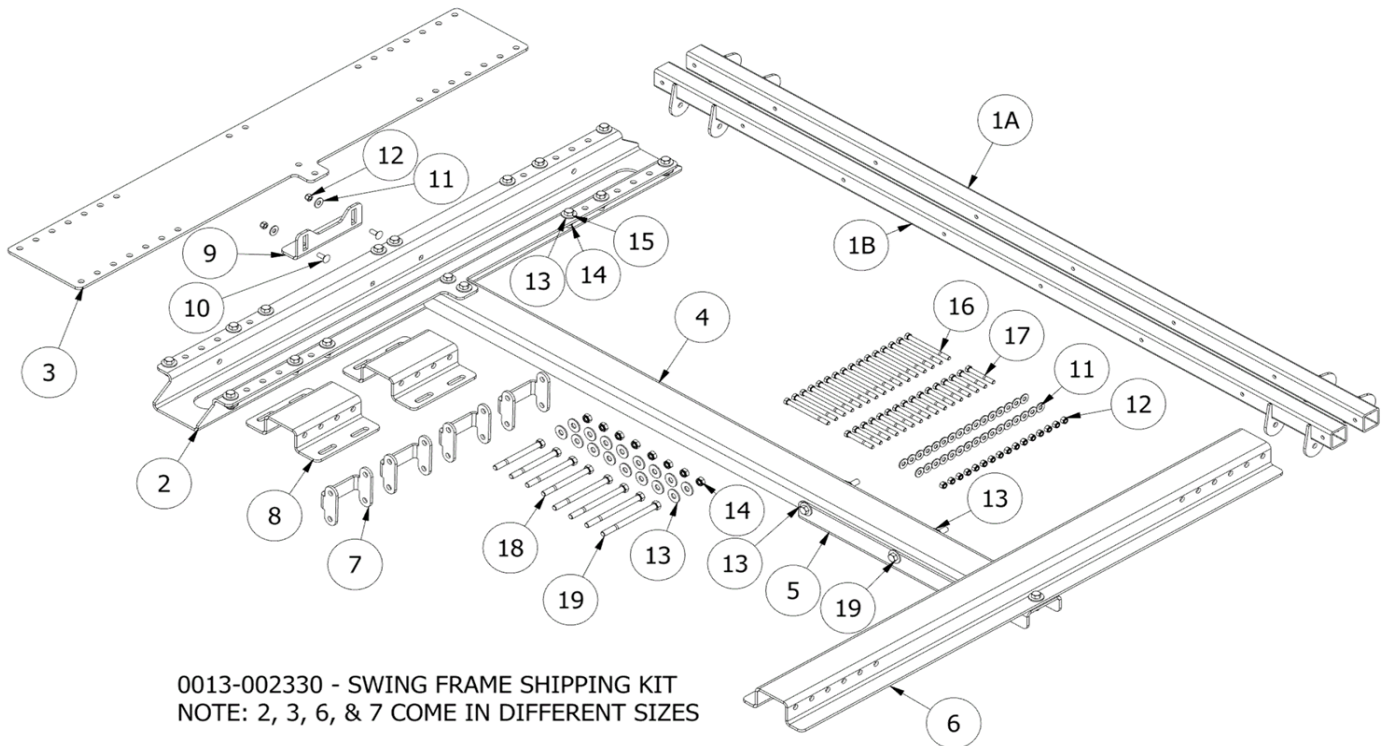
REF	PART #	DESCRIPTION	UOM	RETAIL
1	0013-000316-18	CH18 Channel Brk Plate	EA	
2	0013-000314	CH18 Flex Brk Base Plate (1/4" Steel)	EA	
3	0013-000336	CH18 4 Hole Flex Mount Back Plate	EA	
4	0013-000315-6	CH18 SB Flex Upright MB	EA	
5	0105-000204	3/8"-16 x 1-1/2" GR5 - Hex Cap Screw - ZINC	EACH	
6	0101-001002	3/8" USS - Flat Washer - ZINC	EACH	
7	0100-001102	3/8"-16 GR2 - Nylock Lock Nut - ZINC	EACH	
8	0105-000414	1/2"-13 x 4" GR5 - Hex Cap Screw	EACH	
9	0100-001104	1/2"-13 GR2 - Nylock Lock Nut - ZINC	EACH	
10	0101-001004	1/2" USS - Flat Washer - ZINC	EACH	
11	0105-009417	1/2"-13 x 1-1/4" GR5 - Carriage Bolt - Full Thread - ZINC	EACH	
1-11	0013-000332	C - CH18 Fixed Frame Mounting Kit	EA	



STANDARD SWING FAME MOUNTING KIT

NOTE: DISCRIPTIONS AND IMIGINES MAY CHANGE AT ANY TIME WITHOUT NOTICE

REF	PART #	DESCRIPTION	UOM	RETAIL
1A	0013-002340	Swing FrameTrailer Mounting Frame	EA	
1B	0013-002342	Swing FrameTrailer Mounting Frame Perpendicular Holes	EA	
2	0013-002331-60	Aluminum Swing Channel Plate	EA	
3	0013-002334-60	60in Swing Frame Channel Stiffener	EA	
4	0013-002335	Swing Frame Connecting Frame	EA	
5	0013-002336-24	24in Swing Frame Channel Slide	EA	
6	0013-002332-60	Swing Frame Rear Mount 60	EA	
7	0013-002333-3	3" Flex Mount Center Plate	EA	
8	0013-002337	Swing Frame Front Mount	EA	
9	0013-002355	SF Lock Plate	EA	
10	0105-009215	3/8"-16 x 1" GR5 - Carriage Bolt - Full Thread - ZINC	EACH	
11	0101-001002	3/8" USS - Flat Washer - ZINC	EACH	
12	0100-001102	3/8"-16 GR2 - Nylock Lock Nut - ZINC	EACH	
13	0101-001004	1/2" USS - Flat Washer - ZINC	EACH	
14	0100-001104	1/2"-13 GR2 - Nylock Lock Nut - ZINC	EACH	
15	0105-000404	1/2"-13 x 1-1/2" GR5 - Hex Cap Screw - Full Thread - ZINC	EACH	
16	0105-000218	3/8"-16 x 5" GR5 - Hex Cap Screw - ZINC	EACH	
17	0105-000210	3/8"-16 x 3" GR5 - Hex Cap Screw - ZINC	EACH	
18	0105-000420	1/2"-13 x 5-1/2" GR5 - Hex Cap Screw - ZINC	EACH	
19	0105-000424	1/2"-13 x 6-1/2" GR5 - Hex Cap Screw	EACH	
1-19	0013-002330	Aluminum Swing Frame Assembly	EA	

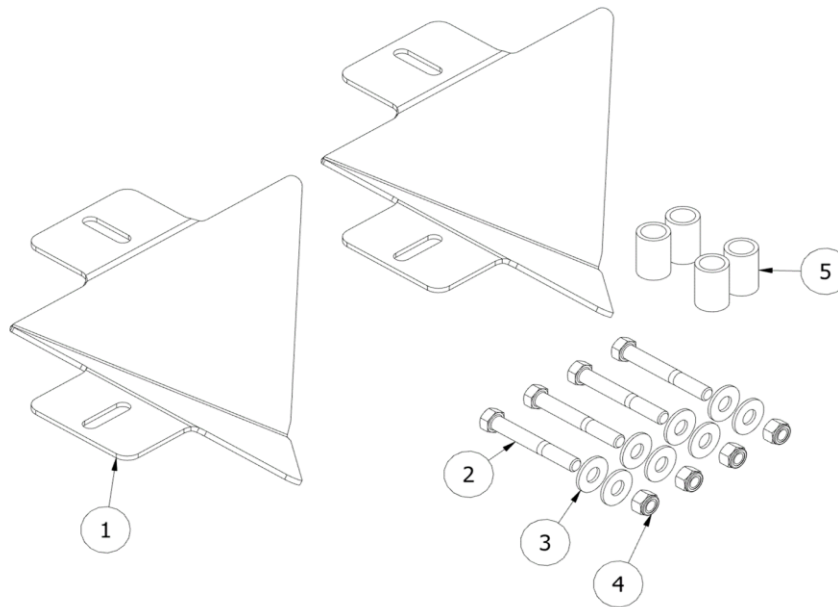


0013-002330 - SWING FRAME SHIPPING KIT
NOTE: 2, 3, 6, & 7 COME IN DIFFERENT SIZES

STANDARD CORNER CHUTE DEFLECTOR KIT

NOTE: DISCRPTIONS AND IMIGINES MAY CHANGE AT ANY TIME WITHOUT NOTICE

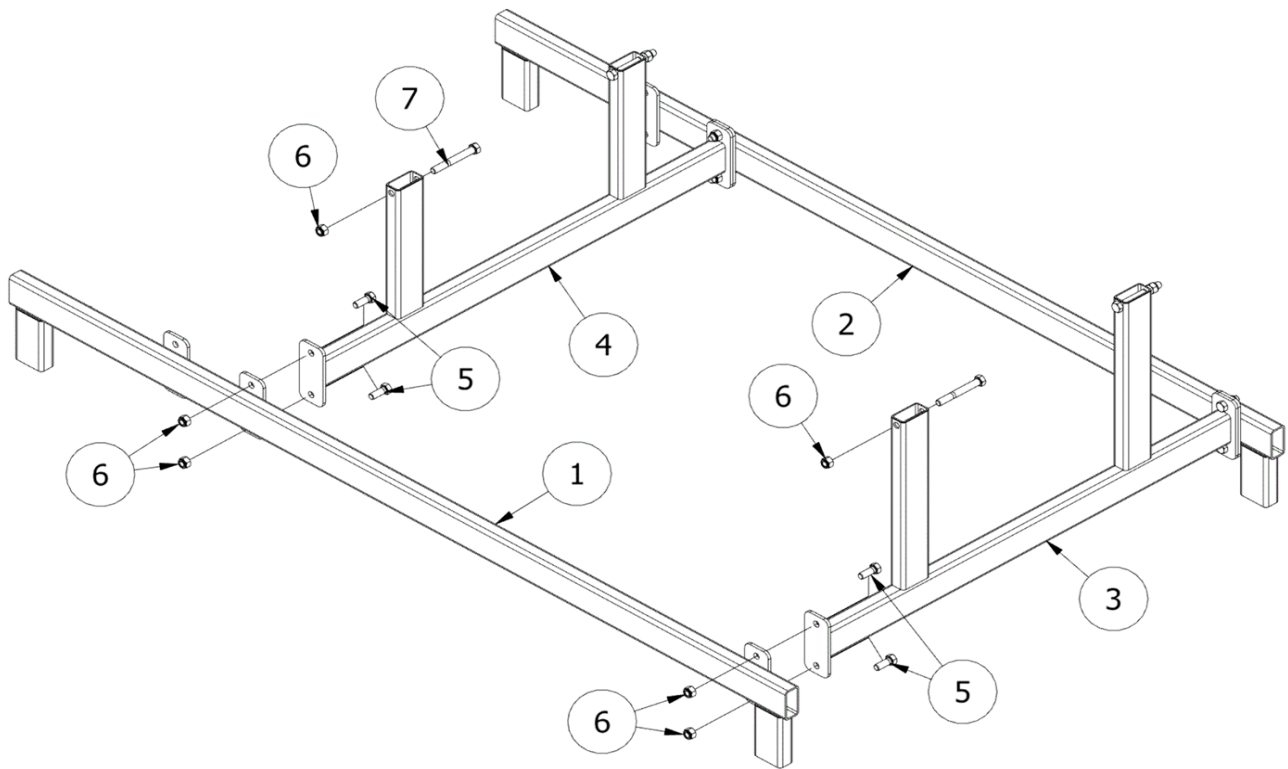
REF	PART #	DESCRIPTION	UOM	RETAIL
1	0013-002361	Standard Aluminum Corner Chute Deflector	EA	
2	0013-000317A	CH18 Corner Spacer Pipe	EA	
3	0105-000209	3/8"-16 x 2-3/4" GR5 - Hex Cap Screw - ZINC	EACH	
4	0101-001002	3/8" USS - Flat Washer - ZINC	EACH	
5	0100-001102	3/8"-16 GR2 - Nylock Lock Nut - ZINC	EACH	
1-5	0013-000331	C - CH18 Standard Corner Chute Deflector Kit	EA	



CONVEY HAWK II INSTALLATION/STORAGE STAND

NOTE: DISCRIPTIONS AND IMIGINES MAY CHANGE AT ANY TIME WITHOUT NOTICE

REF	PART #	DESCRIPTION	UOM	RETAIL
1	0013-002200C	CHII Conveyor Stand Left Side	EA	
2	0013-002200D	CHII Conveyor Stand Right Side	EA	
3	0013-001200B	CHII Conveyor Stand Tall End	EA	
4	0013-001200A	CHII Conveyor Stand Short End	EA	
5	0105-000202	3/8"-16 x 1" GR5 - Hex Cap Screw - Full Thread - ZINC	EACH	
6	0100-001102	3/8"-16 GR2 - Nylock Lock Nut - ZINC	EACH	
7	0105-000210	3/8"-16 x 3" GR5 - Hex Cap Screw - ZINC	EACH	
1-7	0013-002200	CHII Conveyor Stand	EA	



CONVEY HAWK II PORTABLE FRAME

NOTE: DISCRIPTIONS AND IMIGINES MAY CHANGE AT ANY TIME WITHOUT NOTICE

REF	PART #	DESCRIPTION	UOM	RETAIL
1	0013-001100	Wheel 530 x 12 B4 Sprt Trailer Tire Assembly 4 Bolt	EA	
2	0013-001401	Portable Aluminum Frame Assembly	EA	
3	0013-001402	Hub Axle Assembly	EA	
4	0105-000202	3/8"-16 x 1" GR5 - Hex Cap Screw - Full Thread - ZINC	EACH	
5	0101-001002	3/8" USS - Flat Washer - ZINC	EACH	
6	0100-001102	3/8"-16 GR2 - Nylock Lock Nut - ZINC	EACH	
1-6	0013-001400	C - Convey Hawk II Portable Frame	EA	

