

# Michel's GRAVEL GUARD

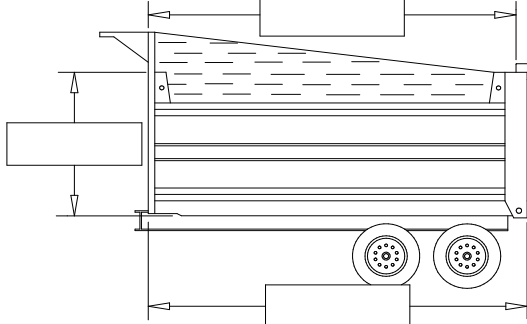
## Order Form

**NOTE: All measurements are to be taken along the top of the gravel box**

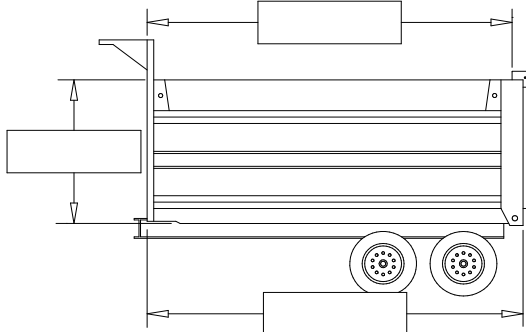
### For DUMP Trucks Only

FOR DUMP BOXES WITHOUT A CAB SHIELD OR HOIST OBSTRUCTIONS USE TRAILER ORDER FORM.

For level cab shields or sloped side boards

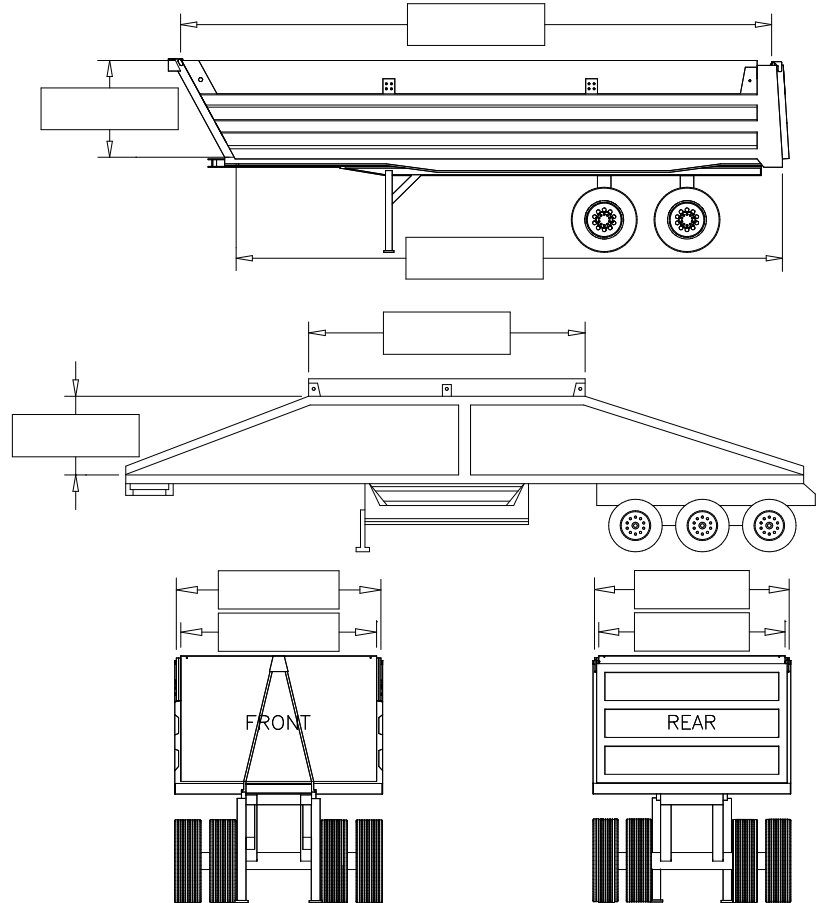


For below cab shield installations  
(With no hoist obstruction)



NO. OF \_\_\_\_\_ COVER ONLY  
NO. OF \_\_\_\_\_ SYSTEMS

### For TRAILERS Only



Trailer Make	Box Material		Drive		Cover			Body Front		
	Steel	Alum	V-Belt	Gear	12" Arched	18" Arched	Radius	Square	Other _____	

Material	Neoprene	Mesh	19 oz. Vinyl	22 oz. Vinyl
Color				

Dog House	Dog House Location	Other Info	Dog House Dimensions	
			Width	Height above Side Boards
Yes or No	In Box or Outside of Box			

Date Received \_\_\_\_\_

Sent By \_\_\_\_\_

Date Due \_\_\_\_\_

Reference \_\_\_\_\_

Remarks \_\_\_\_\_

\_\_\_\_\_

\_\_\_\_\_

\_\_\_\_\_