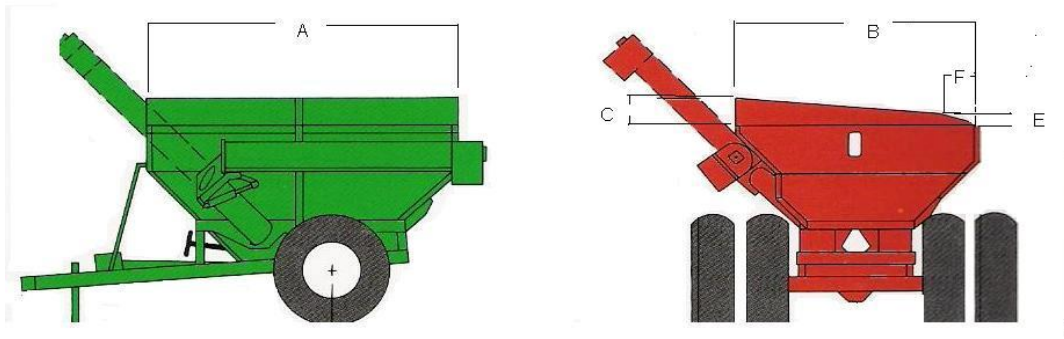


# Michel's Industries, Ltd.

## ORDER FORM Complete Select Tarpaulin Unit GRAIN CART

Customer Name: \_\_\_\_\_ PH# ( ) \_\_\_\_\_

Address: \_\_\_\_\_ Fax# ( ) \_\_\_\_\_



*Michel's Select Tarpaulin comes standard with Aluminum End Caps & 19 oz. Tarp Material.*

1. Outside Top Measurements of Grain Cart – Length (A): \_\_\_\_\_

Outside Top Measurements of Grain Cart – Width (B): \_\_\_\_\_

2. Please circle the choice of Color of tarp material.

0002-White, 8504-Grey, 8533-Charcoal, 6004-Blue, 6094-Navy Blue, 6517-Light Blue, 8001-Black, 3021- Red, 1025-Yellow, 4052-Forest Green (Dark Green), 4003-Medium Green, 4057- Lt. Green, 3519- Burgundy, 6504-Purple, 9514-Brown, 2019-Orange, 9033-Tan,

3. Please circle the following. When standing behind the Grain Cart:

How do you want your tarp to lock closed?

Standard - Lock closed on the left hand side

Reverse - Lock closed on the right hand side

4. Is the Grain Cart Extension:

A. Straight on top

B. Slant on top. If slant please supply extension measurements.

C \_\_\_\_\_ E \_\_\_\_\_ F \_\_\_\_\_

5. Is the unload Auger mounted on the front of the cart or the side.

6. What is the make and model # of your Grain Cart?

---

Michel's Industries. Ltd.  
P.O. Box 119  
St. Gregor, Saskatchewan  
PH# (306)366-2184 or Fax# (306)366-2145