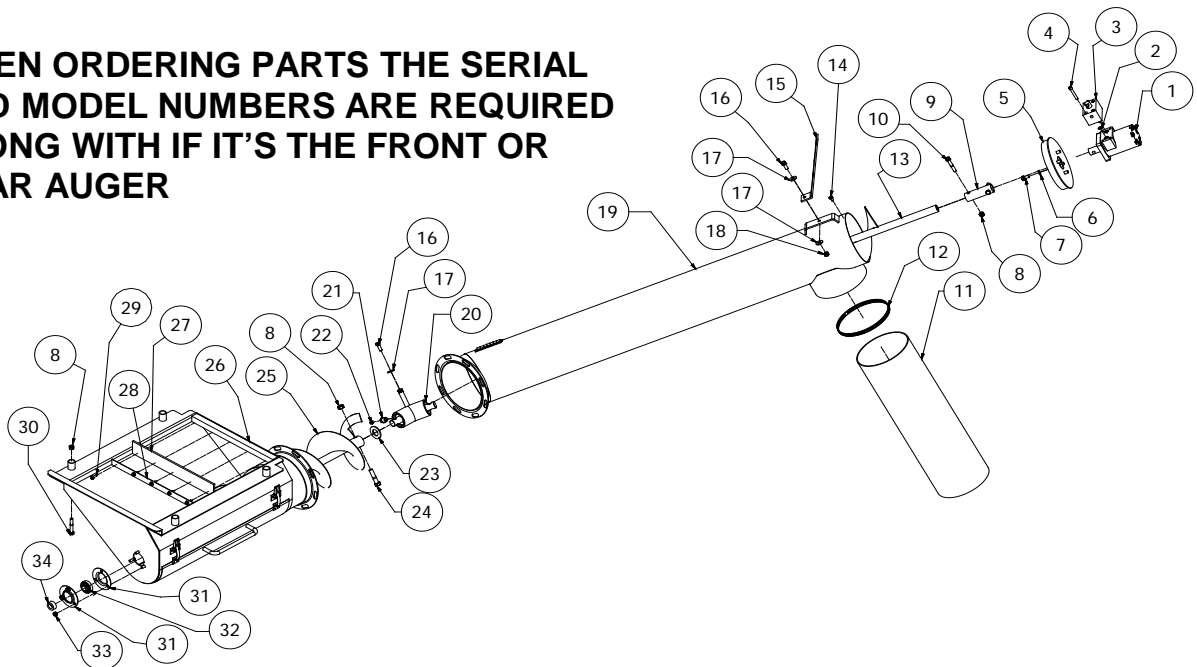


### 8" STEEL HOPPER AUGER

REF #	PART #	DESCRIPTION	Sold By
1	0146-000015	NU-STAR 5.9 cu in. Hydraulic Motor (8" & 10" Augers) Model # BMRS-100P97C1Y19	ea.
2	0146-300007	"O" Rings for EATON HYD Motors	ea.
3	0003-010006	C - Manual Flow Control Block Assembled	ea.
4	0106-000015	5/16"-18 x 2" - Socket Cap Screw - BARE	ea.
5	0003-010001	8" STEEL Motor Mount Assembly	ea.
6	0101-001202	3/8" - Lock Washer - Plated	ea.
7	0105-000201	3/8"-16 x 3/4" GR5 - Hex Cap Screw - Full Thread - ZINC	ea.
8	0100-001104	1/2"-13 GR2 - Nylock Lock Nut - ZINC	ea.
9	0003-010002	Motor Joiner	ea.
10	0105-000207	3/8"-16 x 2-1/4" GR5 - Hex Cap Screw	ea.
11	0003-010141	7", 8" or 8-1/4" Down Spout c/w Spout Clamp and Tarp Strap	ea.
12	0112-003006	8" Hose Clamps	ea.
N/A	0111-000202	15" Snap hookers c/w "S" Hooks Installed (150/Box)	ea.
13	0003-010110	8" Top Core and Flighting Ass.	ea.
14	0105-000001	1/4"-20 x 1/2" GR5 - Hex Cap Screw	ea.
15	0003-010003	Centre Hanging Bracket Painted	ea.
16	0105-000202	3/8"-16 x 1" GR5 - Hex Cap Screw - Full Thread - ZINC	ea.
17	0101-001002	3/8" USS - Flat Washer - ZINC	ea.
18	0100-001002	3/8"-16 GR2 - Hex Nut - ZINC	ea.
19	0003-010140	8" STEEL Auger Top Tube - Only	ea.
20	0003-010004	C- 35, 50, 70, 80 Degree 8" Gear Box Assembly - Steel FRONT or REAR 3/4" or 1"	ea.
21	0003-010036	3/8" UNC to 1/8" NPT adapter	ea.
22	0146-300001	1/8"NPT Grease Fitting	ea.
23	0101-001107	1" SAE - Flat Washer - ZINC	ea.
24	0109-000407	1/2"-13 x 2-1/2" L9 - Hex Cap Screw - YZ	ea.
25	0003-010120	8" Bottom Core And Flighting Assembly	ea.
26	0003-010130	C - 8" STEEL Hopper Bottom Shell ONLY	ea.
N/A	0003-010135	Bottom Door Seal - 1/8"x1/2" Foam Tape	ea.
27	0003-010133	Rubber Sweep	ea.
28	0003-010134	Rubber Sweep Plate	ea.
29	0106-000005	1/4" x 1" - Tek Screw w/ Washer (install lag screw)	ea.
30	0105-000208	3/8"-16 x 2-1/2" GR5 - Hex Cap Screw - ZINC	ea.
31	0115-001002	47MS OSL Flangettes Plated	ea.
32	0115-000004	SA204-12G Self Aligning Bearing c/w locking Collar - 3/4" Bore for Augers	ea.
33	0100-001001	5/16"-18 GR2 - Hex Nut - ZINC	ea.
1-23	0003-010102	C - 8" Steel Top Tube **Assembly** "MFC"	ea.
26-34	0003-010139	C - 8" Steel Hopper Bottom c/w Hardware	ea.

**WHEN ORDERING PARTS THE SERIAL AND MODEL NUMBERS ARE REQUIRED ALONG WITH IF IT'S THE FRONT OR REAR AUGER**



**8" STEEL WILSON AUGERS**

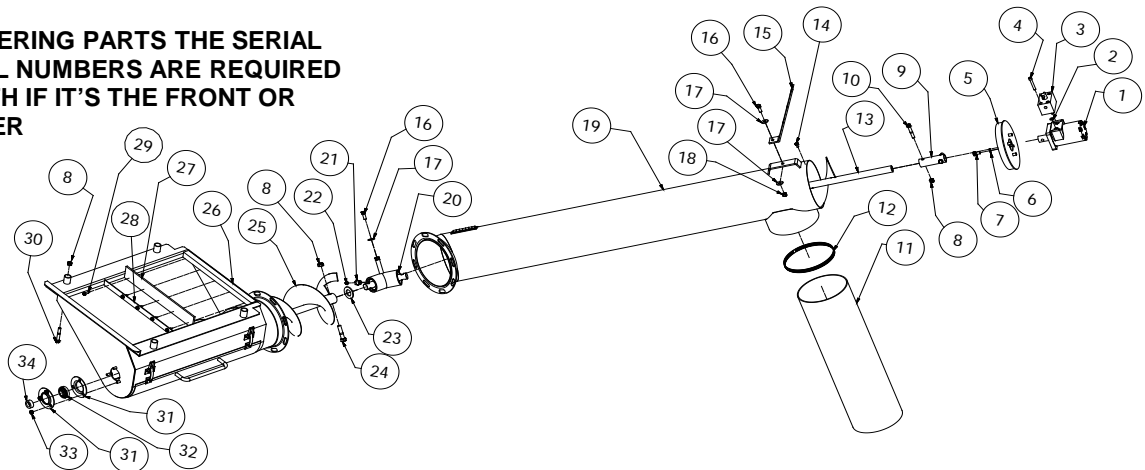
N/A	0003-010139WS	C - 8" Front Steel Hopper Bottom Ass - Strap Chute	ea.
N/A	0003-010539WS	C - 8" Rear Steel Hopper Bottom Ass - Strap Chute	ea.
N/A	0003-010139WR	C - 8" Front Steel Hopper Bottom Ass - Rack & Pinion	ea.
N/A	0003-010539WR	C - 8" Rear Steel Hopper Bottom Ass - Rack & Pinion	ea.

**FOR BOTTOM EXTENSIONS AND HD BOTTOM CORE AND FLIGHTING GO TO PAGE 3  
HD BOTTOM CORE AND FLIGHTING USES 1" BEARING INSTEAD OF A 3/4" BEARING (REF#31&32&34)**

**8" ALUMINUM HOPPER AUGER**

REF #	PART #	DESCRIPTION	Sold By
1	0146-000015	NU-STAR 5.9 cu in. Hydraulic Motor (8" & 10" Augers) Model # BMRS-100P97C1Y19	ea.
2	0146-300007	"O" Rings for EATON HYD Motors	ea.
3	0003-010006	C - Manual Flow Control Block Assembled	ea.
4	0106-000015	5/16"-18 x 2" - Socket Cap Screw - BARE	ea.
5	0003-060001	8" Aluminum Motor Mount	ea.
6	0101-001202	3/8" - Lock Washer - Plated	ea.
7	0105-000201	3/8"-16 x 3/4" GR5 - Hex Cap Screw - Full Thread - ZINC	ea.
8	0100-001104	1/2"-13 GR2 - Nylock Lock Nut - ZINC	ea.
9	0003-010002	Motor Joiner	ea.
10	0105-000207	3/8"-16 x 2-1/4" GR5 - Hex Cap Screw	ea.
11	0003-010141	7", 8" or 8-1/4" Down Spout c/w Spout Clamp and Tarp Strap	ea.
12	0112-003006	8" Hose Clamps	ea.
N/A	0111-000202	15" Snap hooks c/w "S" Hooks Installed (150/Box)	ea.
13	0003-010110	8" Top Core and Flighting Ass.	ea.
14	0105-000001	1/4"-20 x 1/2" GR5 - Hex Cap Screw	ea.
15	0003-010003	Centre Hanging Bracket Painted	ea.
16	0105-000202	3/8"-16 x 1" GR5 - Hex Cap Screw - Full Thread - ZINC	ea.
17	0101-001002	3/8" USS - Flat Washer - ZINC	ea.
18	0100-001002	3/8"-16 GR2 - Hex Nut - ZINC	ea.
19	0003-060140	8" ALUMINUM Auger Top Tube - Only	ea.
20	0003-060004	C - 35, 50, 70, 80 8" Gear Box Assembly - ALUMINUM FRONT or REAR 3/4" or 1"	ea.
21	0003-010036	3/8" UNC to 1/8" NPT adapter	ea.
22	0146-300001	1/8"NPT Grease Fitting	ea.
23	0101-001107	1" SAE - Flat Washer - ZINC	ea.
24	0109-000407	1/2"-13 x 2-1/2" L9 - Hex Cap Screw - YZ	ea.
25	0003-010120	8" Bottom Core And Flighting Assembly	ea.
26	0003-060130	C - 8" ALUMINUM Hopper Bottom Shell Only	ea.
N/A	0003-010135	Bottom Door Seal - 1/8"x1/2" Foam Tape	ea.
27	0003-010133	Rubber Sweep	ea.
28	0003-010134	Rubber Sweep Plate	ea.
29	0106-000005	1/4" x 1" - Tek Screw w/ Washer (install lag screw)	ea.
30	0105-000208	3/8"-16 x 2-1/2" GR5 - Hex Cap Screw - ZINC	ea.
31	0115-001002	47MS OSL Flangettes Plated	ea.
32	0115-000004	SA204-12G Self Aligning Bearing c/w locking Collar - 3/4" Bore for Augers	ea.
33	0100-001001	5/16"-18 GR2 - Hex Nut - ZINC	ea.
1-23	0003-060102	C - 8" Aluminum Top Tube **Assembly** (MFC)	ea.
26-34	0003-060139	C - 8" Aluminum Hopper Bottom c/w Hardware	ea.

**WHEN ORDERING PARTS THE SERIAL AND MODEL NUMBERS ARE REQUIRED ALONG WITH IF IT'S THE FRONT OR REAR AUGER**



### 8" ALUMINUM WILSON AUGERS

N/A	0003-060139WS	C - 8" ALUMINUM Wilson FRONT Hopper Bottom Ass - Strap Chute	ea.
N/A	0003-060539WS	C - 8" ALUMINUM Wilson Rear Hopper Bottom Ass - Strap Chute	ea.
N/A	0003-060139WR	C - 8" ALUMINUM Wilson FRONT Hopper Bottom Ass - R & P	ea.
N/A	0003-060539WR	C - 8" ALUMINUM Wilson REAR Hopper Bottom Ass - R & P	ea.

**FOR BOTTOM EXTENSIONS AND HD BOTTOM CORE AND FLIGHTING GO TO PAGE 3  
HD BOTTOM CORE AND FLIGHTING USES 1" BEARING INSTEAD OF A 3/4" BEARING (REF#31&32&34)**

### 8" HOPPER AUGERS WITH EXTENSIONS

1	0100-001104	1/2"-13 GR2 - Nylock Lock Nut - ZINC	ea.
2	0101-001107	1" SAE - Flat Washer - ZINC	ea.
3	0100-001002	3/8"-16 GR2 - Hex Nut - ZINC	ea.
4	0101-001002	3/8" USS - Flat Washer - ZINC	ea.
5	0109-000407	1/2"-13 x 2-1/2" L9 - Hex Cap Screw - YZ	ea.
6	0105-000202	3/8"-16 x 1" GR5 - Hex Cap Screw - Full Thread - ZINC	ea.

### 8" STEEL EXTENSIONS

7	0003-010012	8" - 12" Auger Extension Tube - Steel	ea.
N/A	0003-010018	8" - 18" Auger Extension - Painted Steel	ea.
N/A	0003-010024	8" - 24" Auger Extension Tube - Steel	ea.

### 8" ALUMINUM EXTENSIONS

7	0003-060012	8" - 12" ALUMINUM Auger Extension Tube	ea.
N/A	0003-060018	8" - 18" ALUMINUM Auger Extension	ea.
N/A	0003-060024	8" - 24" ALUMINUM Auger Extension Tube	ea.

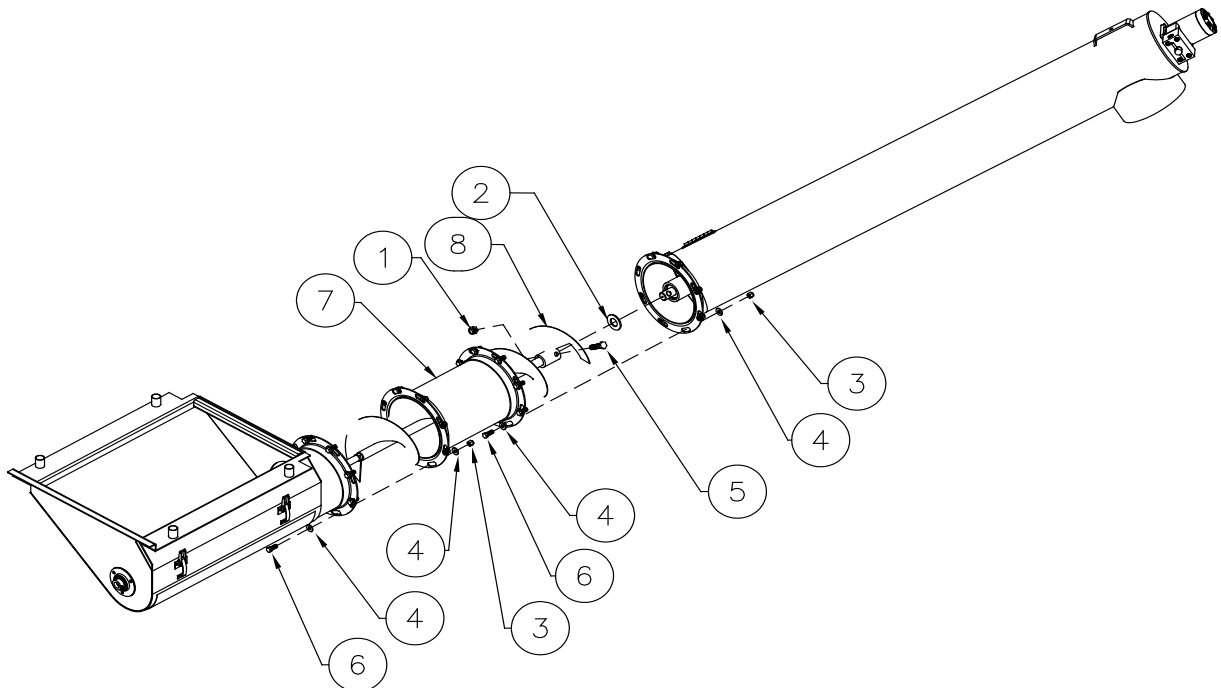
### 8" BOTTOM CORE & FLIGHTING

8	0003-010122	8" - 12" Extension Bottom Core & Flighting Assembly	ea.
N/A	0003-010123	8" - 18" Extension Bottom Core & Flighting Assembly	ea.
N/A	0003-010124	8" - 24" Extension Bottom Core & Flighting Assembly	ea.

### 8" BOTTOM CORE & FLIGHTING OVER 60" LONG

N/A	0003-040120	8" HD - BOTTOM FRONT CORE/RH FLIGHTING ASSEMBLY	ea.
N/A	0115-001005	52MM3 Flangettes Plated (Sold as Each)	ea.
N/A	0115-000006	SA205-16 Bearing	ea.

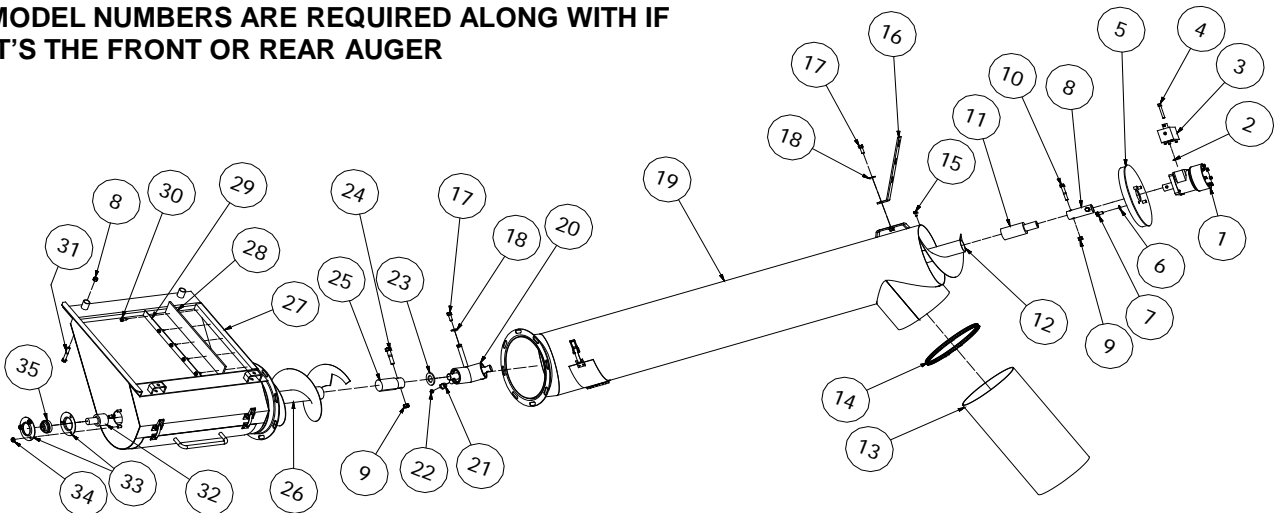
**WHEN ORDERING PARTS THE SERIAL AND MODEL NUMBERS ARE REQUIRED  
ALONG WITH IF IT'S THE FRONT OR REAR AUGER**



**10" STEEL HOPPER AUGER**

REF #	PART #	DESCRIPTION	QTY
1	0146-000015	NU-STAR 5.9 cu in. Hydraulic Motor (8" & 10" Augers) Model # BMRS-100P97C1Y19	ea.
2	0146-300007	"O" Rings for EATON HYD Motors	ea.
3	0003-010006	C - Manual Flow Control Block Assembled	ea.
4	0106-000015	5/16"-18 x 2" - Socket Cap Screw - BARE	ea.
5	0003-510001	10" Steel Motor Mount	ea.
6	0101-001202	3/8" - Lock Washer - Plated	ea.
7	0105-000201	3/8"-16 x 3/4" GR5 - Hex Cap Screw - Full Thread - ZINC	ea.
8	0003-010002	Motor Joiner	ea.
9	0100-001104	1/2"-13 GR2 - Nylock Lock Nut - ZINC	ea.
10	0105-000207	3/8"-16 x 2-1/4" GR5 - Hex Cap Screw	ea.
11	0161-504007	Motor Bushing - 10" Auger- Bare	ea.
12	0003-510110	10" TOP CORE FLIGHTING ASSEMBLY	ea.
13	0003-510141	10" Hopper Auger Down Spout c/w Clamp and Tarp Strap	ea.
14	0112-500000B	10" Hose Clamps	ea.
N/A	0111-000203	20" Snap Hookers c/w "S" Hooks Installed (150/Box)	ea.
15	0105-000001	1/4"-20 x 1/2" GR5 - Hex Cap Screw	ea.
16	0003-010003	Centre Hanging Bracket Painted	ea.
17	0105-000202	3/8"-16 x 1" GR5 - Hex Cap Screw - Full Thread - ZINC	ea.
18	0101-001002	3/8" USS - Flat Washer - ZINC	ea.
19	0003-510140	10" Auger Tube Only - STEEL	ea.
20	0003-510004	C- Degree ? 10" Gear Box Assembly FRONT or REAR 3/4" or 1" STEEL or ALUMINUM	ea.
21	0003-010036	3/8" UNC to 1/8" NPT adapter	ea.
22	0146-300001	1/8"NPT Grease Fitting	ea.
23	0101-001107	1" SAE - Flat Washer - ZINC	ea.
24	0109-000407	1/2"-13 x 2-1/2" L9 - Hex Cap Screw - YZ	ea.
25	0161-504006	10" Flighting Bushing- Bare	ea.
26	0003-510120	10" BOTTOM CORE FLIGHTING ASSEMBLY	ea.
27	0003-510130	C - 10" Hopper Shell Only - STEEL	ea.
N/A	0003-010135	Bottom Door Seal - 1/8"x1/2" Foam Tape	ea.
28	0003-010133	Rubber Sweep	ea.
29	0003-010134	Rubber Sweep Plate	ea.
30	0106-000005	1/4" x 1" - Tek Screw w/ Washer (install lag screw)	ea.
31	0105-000208	3/8"-16 x 2-1/2" GR5 - Hex Cap Screw - ZINC	ea.
32	0161-504008	Bearing Shaft - 10" Auger - Chrome Plated	ea.
33	0115-001005	52MM3 Flangettes Plated (Sold as Each)	ea.
34	0100-001001	5/16"-18 GR2 - Hex Nut - ZINC	ea.
35	0115-000006	SA205-16 Bearing	ea.
1-23	0003-510102	C - 10" Auger Top Tube **Assembly** - STEEL	ea.
27-35	0003-510139	C - 10" Hopper Bottom **Assembly** STEEL	ea.

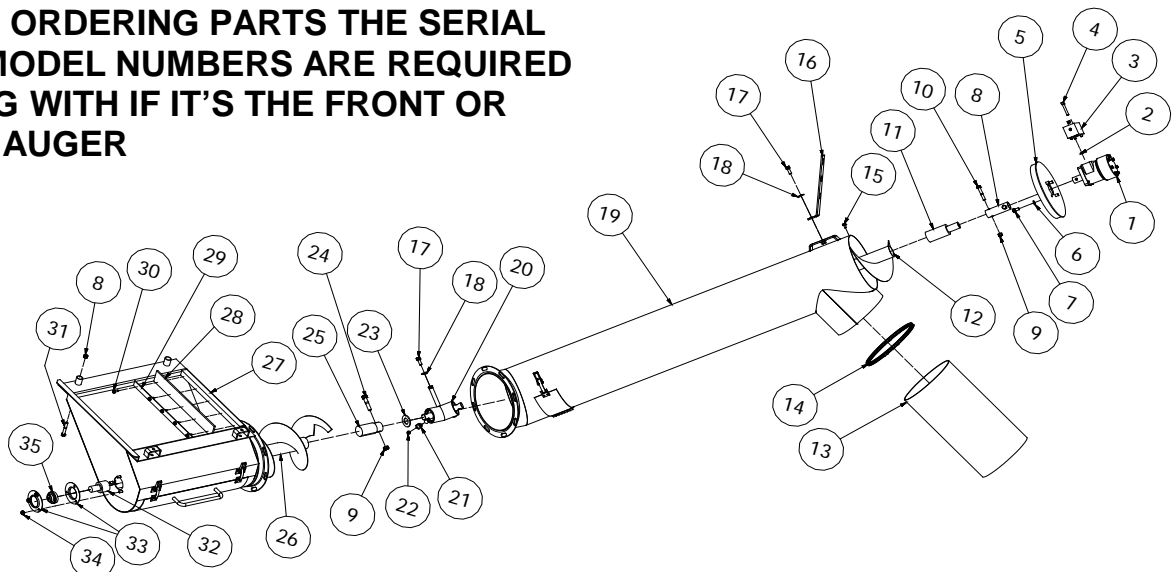
**WHEN ORDERING PARTS THE SERIAL AND MODEL NUMBERS ARE REQUIRED ALONG WITH IF IT'S THE FRONT OR REAR AUGER**



**10" ALUMINUM HOPPER AUGER**

REF #	PART #	DESCRIPTION	QTY
1	0146-000015	NU-STAR 5.9 cu in. Hydraulic Motor (8" & 10" Augers) Model # BMRS-100P97C1Y19	ea.
2	0146-300007	"O" Rings for EATON HYD Motors	ea.
3	0003-010006	C - Manual Flow Control Block Assembled	ea.
4	0106-000015	5/16"-18 x 2" - Socket Cap Screw - BARE	ea.
5	0003-560001	ALUMINUM 10" Motor Mount	ea.
6	0101-001202	3/8" - Lock Washer - Plated	ea.
7	0105-000201	3/8"-16 x 3/4" GR5 - Hex Cap Screw - Full Thread - ZINC	ea.
8	0003-010002	Motor Joiner	ea.
9	0100-001104	1/2"-13 GR2 - Nylock Lock Nut - ZINC	ea.
10	0105-000207	3/8"-16 x 2-1/4" GR5 - Hex Cap Screw	ea.
11	0161-504007	Motor Bushing - 10" Auger- Bare	ea.
12	0003-510110	10" TOP CORE FLIGHTING ASSEMBLY	ea.
13	0003-510141	10" Hopper Auger Down Spout c/w Clamp and Tarp Strap	ea.
14	0112-500000B	10" Hose Clamps	ea.
N/A	0111-000203	20" Snap Hookers c/w "S" Hooks Installed (150/Box)	ea.
15	0105-000001	1/4"-20 x 1/2" GR5 - Hex Cap Screw	ea.
16	0003-010003	Centre Hanging Bracket Painted	ea.
17	0105-000202	3/8"-16 x 1" GR5 - Hex Cap Screw - Full Thread - ZINC	ea.
18	0101-001002	3/8" USS - Flat Washer - ZINC	ea.
19	0003-560140	ALUMINUM 10" Auger Tube Only	ea.
20	0003-560004	C - Degree ? 10" ALUMINUM Gear Box Assembly Front or Rear 3/4" or 1"	ea.
21	0003-010036	3/8" UNC to 1/8" NPT adapter	ea.
22	0146-300001	1/8"NPT Grease Fitting	ea.
23	0101-001107	1" SAE - Flat Washer - ZINC	ea.
24	0109-000407	1/2"-13 x 2-1/2" L9 - Hex Cap Screw - YZ	ea.
25	0161-504006	10" Flighting Bushing- Bare	ea.
26	0003-510120	10" BOTTOM CORE FLIGHTING ASSEMBLY	ea.
27	0003-560130	C - ALUMINUM 10" Hopper Bottom Shell Only	ea.
N/A	0003-010135	Bottom Door Seal - 1/8"x1/2" Foam Tape	ea.
28	0003-010133	Rubber Sweep	ea.
29	0003-010134	Rubber Sweep Plate	ea.
30	0106-000005	1/4" x 1" - Tek Screw w/ Washer (install lag screw)	ea.
31	0105-000208	3/8"-16 x 2-1/2" GR5 - Hex Cap Screw - ZINC	ea.
32	0161-504008	Bearing Shaft - 10" Auger - Chrome Plated	ea.
33	0115-001005	52MM3 Flangettes Plated (Sold as Each)	ea.
34	0100-001001	5/16"-18 GR2 - Hex Nut - ZINC	ea.
35	0115-000006	SA205-16 Bearing	ea.
1-23	0003-560102	C - ALUMINUM 10" Top Auger **Assembly**	ea.
27-35	0003-560139	C - ALUMINUM 10" Hopper Bottom **Assembly**	ea.

**WHEN ORDERING PARTS THE SERIAL AND MODEL NUMBERS ARE REQUIRED ALONG WITH IF IT'S THE FRONT OR REAR AUGER**



**10" HOPPER AUGERS WITH EXTENSIONS**

1	0100-001104	1/2"-13 GR2 - Nylock Lock Nut - ZINC	ea.
2	0101-001107	1" SAE - Flat Washer - ZINC	ea.
3	0100-001002	3/8"-16 GR2 - Hex Nut - ZINC	ea.
4	0101-001002	3/8" USS - Flat Washer - ZINC	ea.
5	0109-000407	1/2"-13 x 2-1/2" L9 - Hex Cap Screw - YZ	ea.
6	0105-000202	3/8"-16 x 1" GR5 - Hex Cap Screw - Full Thread - ZINC	ea.

**10" STEEL EXTENSIONS**

7	0003-510012	10" - 12" Auger Extension Tube - STEEL	ea.
N/A	0003-510018	10" - 18" Auger Extension tube - STEEL	ea.
N/A	0003-510024	10" - 24" Auger Extension Tube - STEEL	ea.

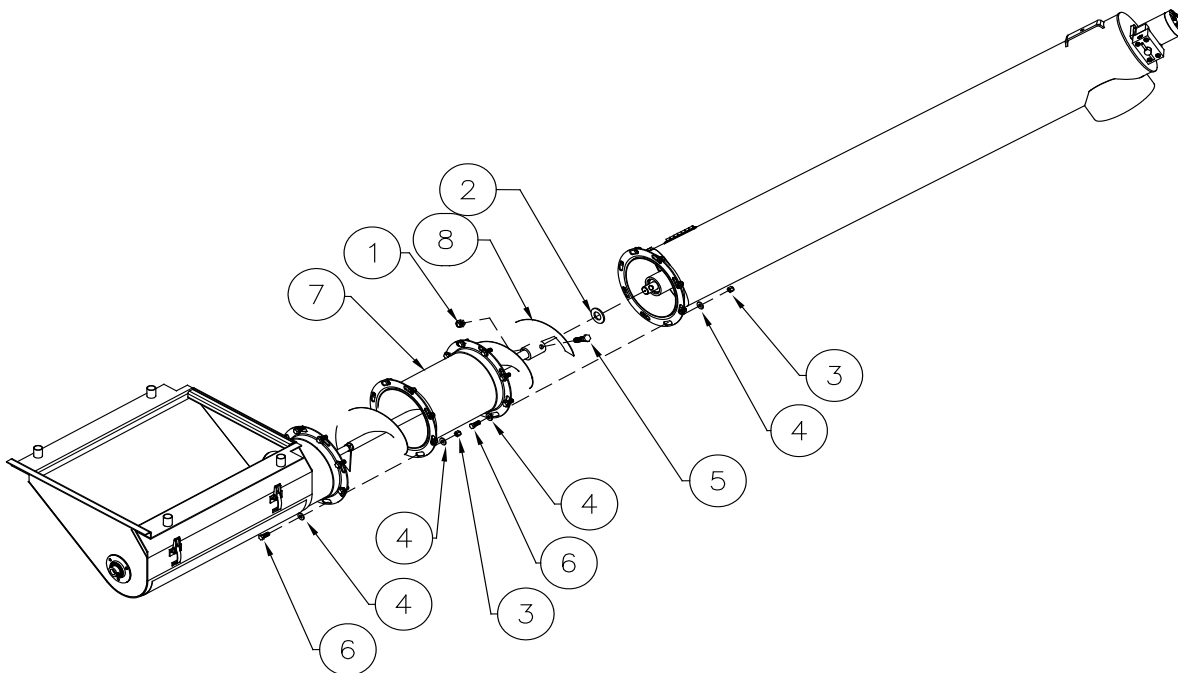
**10" ALUMINUM EXTENSIONS**

7	0003-560012	ALUMINUM 10" - 12" Auger Extension Tube	ea.
N/A	0003-560018	ALUMINUM 10" - 18" Auger Extension Tube	ea.
N/A	0003-560024	ALUMINUM 10" - 24" Auger Extension Tube	ea.

**10" BOTTOM CORE & FLIGHTING**

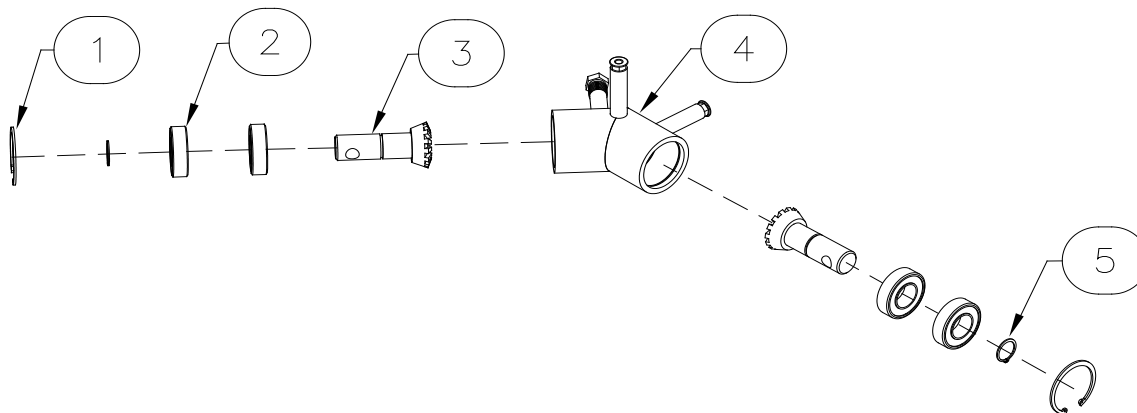
8	0003-510122	10" - 12" EXTENSION BOTTOM CORE/FLIGHTING ASSEMBLY	ea.
N/A	0003-510123	10" - 18" EXTENSION BOTTOM CORE/FLIGHTING ASSEMBLY	ea.
N/A	0003-510124	10" - 24" EXTENSION BOTTOM CORE/FLIGHTING ASSEMBLY	ea.

**WHEN ORDERING PARTS THE SERIAL AND MODEL NUMBERS ARE REQUIRED ALONG WITH IF IT'S THE FRONT OR REAR AUGER**



**GEARBOX**

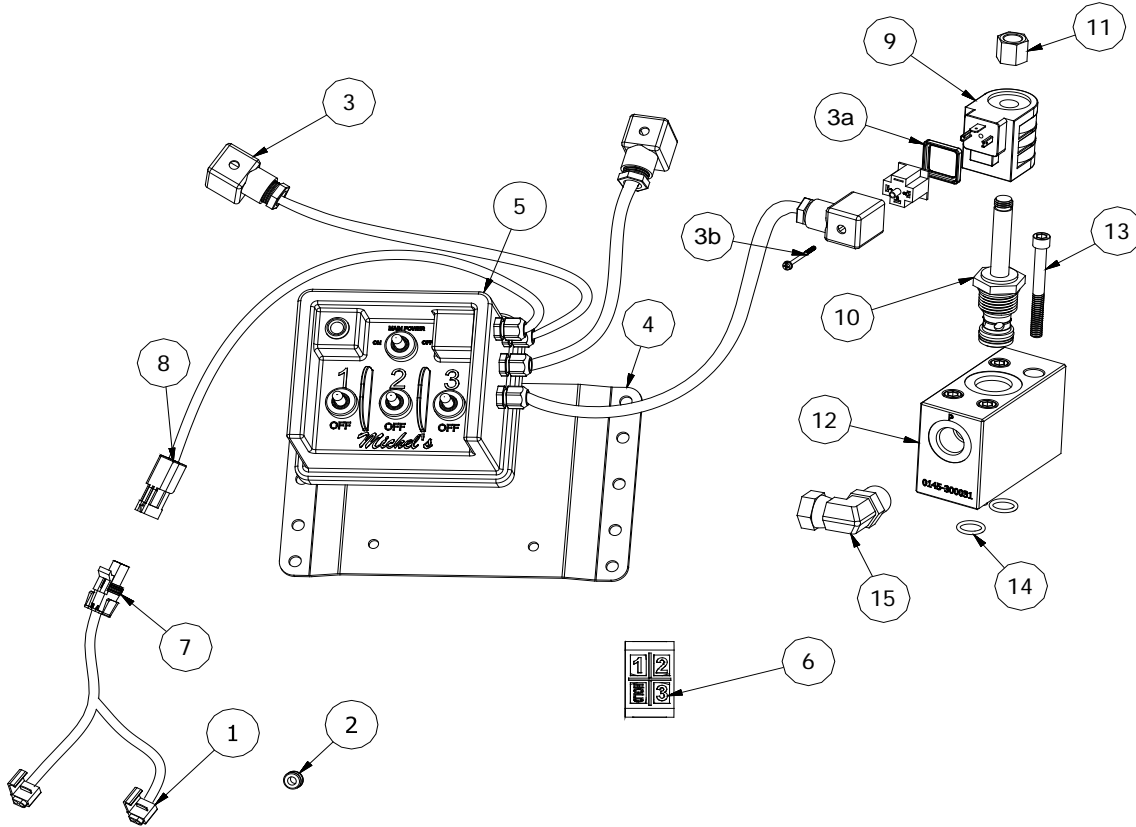
REF #	PART #	DESCRIPTION	QTY
1	0110-000301	2" Internal Snap Ring	ea.
2	0115-000007	6205 Bearing - 1-2RS (Auger Gear Box & Clutch Crank)	ea.
3	0003-010007	Set of Gear Box Shafts - 1"	ea.
4	0003-010004F	C - 8" Steel Gear Box Housing	ea.
4	0003-060004F	C - 8" Alum Gear Box Housing	ea.
4	0003-510004F	C - 10" Steel Gear Box Housing	ea.
4	0003-560004F	C - 10" Aluminum Gear Box Housing	ea.
5	0110-000300	1"Shaft Dia.External Retaining Ring x .078 (thickness) Phosphate Steel	ea.
1-5	0003-010004	C- 35, 50, 70, 80 Degree 8" Gear Box Assembly - Steel FRONT or REAR 3/4" or 1"	ea.
1-5	0003-060004	C - 35, 50, 70, 80 8" Gear Box Assembly - ALUMINUM FRONT or REAR 3/4" or 1"	ea.
1-5	0003-510004	C- Degree ? 10" Gear Box Assembly FRONT or REAR 3/4" or 1" STEEL or ALUMINUM	ea.
1-5	0003-560004	C - Degree ? 10" ALUMINUM Gear Box Assembly Front or Rear 3/4" or 1"	ea.



**WHEN ORDERING PARTS THE SERIAL AND MODEL NUMBERS ARE REQUIRED ALONG WITH IF IT'S THE FRONT OR REAR AUGER**

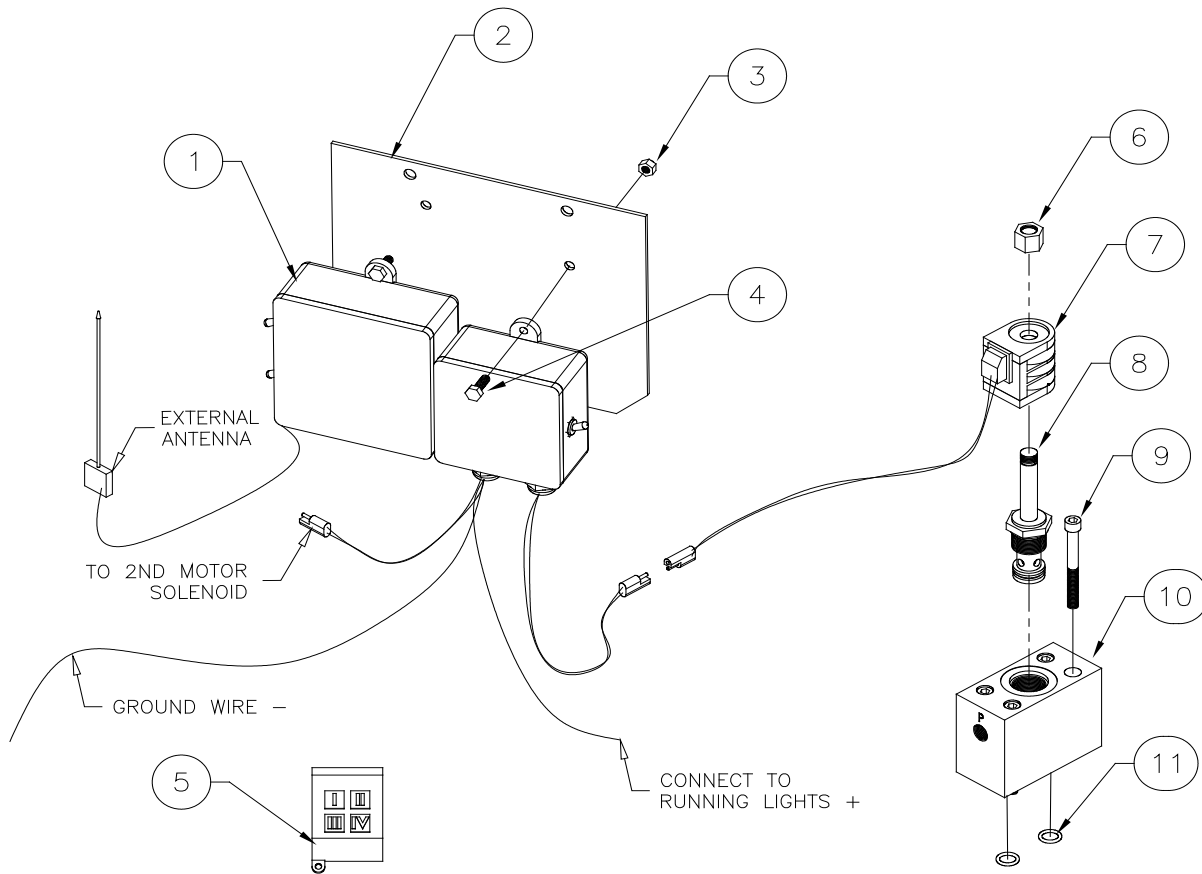
# WIRELESS REMOTE

REF #	PART #	DESCRIPTION	QTY
1	0145-300018	18-14 AWG Gel Filled Wire Tap -Pico	ea.
2	0145-300033	Rubber Grommet 1/4" ID x 1/8" Groove Width x 3/8" Groove	ea.
3	0145-300032	C - DIN Connector with Light Assembly	ea.
3b	0145-300035	Screw for Hirschmann (Grey) DIN Connector M3-35-GDM Centre Screw	ea.
3a	0145-300034	Blk Gasket for Hirschmann DIN Connector	ea.
4	0003-020006	Wireless Remote Mounting Plate	ea.
-	0105-007002	1/4" x 3/4" - Truss Cap Screw - #3 Robinson	ea.
-	0105-000102	5/16"-18 x 1" GR5 - Hex Cap Screw - Full Thread - ZINC	ea.
-	0100-001101	5/16"-18 GR2 - Nylock Lock Nut - ZINC	ea.
3 + 5 - 8	0003-020008	C - 4 Button 2 Hopper Receiver Box & Remote c/w Din Connectors LESS Blocks	ea.
3 + 5 - 8	0003-020009	C - 4 Button 3 Hopper Receiver Box & Remote c/w Din Connectors LESS Blocks	ea.
6	0145-300103	Transmitter/Remote with Clip for Hopper Augers (New Style)	ea.
7-8	0145-300104	WEATHER PACK CONNECTORS - MALE AND FEMALE W/ PINS	ea.
9-14	0003-020007	C - Complete Solenoid Assembly C/W Aluminum Block (Assembled) - DIN Connectors	ea.
9	0145-300029A	Coil - DIN Posts- 12 Volt (for N/S Black Box)	ea.
10	0145-300003	C- Cartridge c/w nut	ea.
11	0145-300003A	Nut for Cartridges	ea.
9-11	0145-300029	C - Cartridge & Coil Assembly - Delta Power - for a Black Box	ea.
12	0145-300031	C - Lrg. Solenoid 1 1/16"-12 Cavity Manifold #10 Sae Ports	ea.
13	0106-000017	5/16"-18 x 3" - Socket Cap Screw - BARE	ea.
14	0146-300007	"O" Rings for EATON HYD Motors	ea.
15	0146-300014	1/2" FEM 90~Pipe Swivel Adapters c/w #10 O-Ring Boss	ea.
1-15	HA-2WRK	Hopper auger W.R. kit -Conversion - 2 Hopper - C/W Remote, Blocks, Coils & Cart.	ea.
1-15	HA-3WRK	3 Hopper Auger Wireless Remote -Conversion Kit C/W Remote, Blocks, Coils & Cart.	ea.



## WIRELESS REMOTE ASSEMBLY

REF#	PART #	DESCRIPTION	QTY
1	0003-020001	C - Wireless Remote Boxes Only -2 Hopper Auger C/W Remote	ea.
N/A	0003-020002	C - Wireless Remote Contrl Box Only -3 Hopper C/W Remote	ea.
2	0003-020006	Wireless Remote Mounting Plate	ea.
3	0100-001100	1/4"-20 GR2 - Nylock Lock Nut - ZINC	ea.
4	0105-000002	1/4"-20 x 3/4" GR5 - Hex Cap Screw - Full Thread - ZINC	ea.
5	0145-300011	4 Button Remotes Only (Old Style)	ea.
6	0145-300003A	Nut for Cartridges	ea.
7	0003-020003	Coil Assembly - Wire Leads	ea.
8	0145-300003	C- Cartridge c/w nut	ea.
6-8	0003-020004	C - Coil / Cartridge Assembly - Wire Leads for an O/S Grey Box	ea.
9	0106-000017	5/16"-18 x 3" - Socket Cap Screw - BARE	ea.
10	0145-300005	C - Electric Solenoid Block ( Large) - NPT Ports	ea.
11	0146-300007	"O" Rings for EATON HYD Motors	ea.
6-11	0003-020005	C - Complete Solenoid Assembly C/W Aluminum Block (Asmb) - Wire Leads - Grey Bo	ea.



**MISCELLANEOUS PARTS**

REF#	PART #	DESCRIPTION	QTY
<b>HINGE</b>			
N/A	0112-003000	Piano Hinge 1_1/2 x 72".060 1/8"Pin (Steel)	FT
N/A	0112-003000B	Hinge- Alum Piano Hinge 3" x .081 x 72" w .250 Pin	FT
N/A	0112-003005	Aluminum Piano Hinge 2" x 72".060 1/8"Pin	FT
<b>BOTTOM DOOR ASSEMBLIES</b>			
N/A	0003-010131	Bottom Door Assembly C/W Hinge, Latches and Keepers	ea.
N/A	0003-060131	DP ALUM Bottom Door Assembly	ea.
<b>8" CORE &amp; FLIGHTING PARTS</b>			
N/A	0150-007002	6.812 x 6.812 x 1.063 x 10G x 120" RHflighting (DO NOT INTERTWINE PIECES)	FT
N/A	0150-007001	6.812 x 6.812 x 1.063 x 10G x 120" LHflighting (DO NOT INTERTWINE PIECES)	FT
N/A	0150-001038	1.050 OD x .100 Wall x 24' Round HSS Tubing	FT
N/A	0161-004000	Machined 3/4" Bearing Shaft - Augers	ea.
N/A	0003-010015	Auger Collar - New Style	ea.
<b>8" HEAVY DUTY BOTTOM CORE &amp; FLIGHTING PARTS</b>			
N/A	0150-007016	7".0 x 7.0 x 2"x 120" - 10G RH Flighting (DO NOT INTERTWINE)	FT
N/A	0150-007015	7".0 x 7.0 x 2"x 120" - 10G LH Flighting (DO NOT INTERTWINE)	FT
N/A	0150-001033	2" x .083 x 20' Black Pipe	FT
N/A	0161-504008	Bearing Shaft - 10" Auger - Chrome Plated	ea.
N/A	0161-504006	10" Flighting Bushing- Bare	ea.
<b>8" AUGER TUBE PARTS</b>			
N/A	0150-001016	8" Rd x .075 Tubing per ft.	FT
N/A	0003-010013	8" Spout Plasmaed Rolled - Bare	ea.
N/A	0003-010009	8"Angle Ring-Punched	ea.
N/A	0003-010008	C - 1 - 8" STEEL Front Inspection Door Assembly (Small door on Top Tube)	ea.
N/A	0151-001010	8" x .125w x 23' Alum 6061-T6 SeamlessTubing (Construction Tube)	FT
N/A	0003-060013	ALUMINUM 8" Spout Formed	ea.
N/A	0161-004006	8" IDx 1 1/4"W x 1 1/4" H x 3/16" GA Alum Angle Ring	ea.
N/A	0003-060008	C - 10" or 8" ALUMINUM Front Inspection Door Assembly (Small door on Top Tube)	ea.
<b>10" CORE &amp; FLIGHTING PARTS</b>			
N/A	0150-007012	9"x9"x2"x7Gx120"RH Flighting (DO NOT INTERTWINE PIECES)	FT
N/A	0150-007011	9"x9"x2"x7Gx120"LH Flighting (DO NOT INTERTWINE PIECES)	FT
N/A	0150-001033	2" x .083 x 20' Black Pipe	FT
N/A	0161-504008	Bearing Shaft - 10" Auger - Chrome Plated	ea.
N/A	0161-504006	10" Flighting Bushing- Bare	ea.
N/A	0161-504007	Motor Bushing - 10" Auger- Bare	ea.
<b>10" AUGER TUBE PARTS</b>			
N/A	0150-001029	10"x.075 x 23' HR 1015 Tubing	FT
N/A	0003-510013	Auger Spout Plasmaed & Rolled - Bare	ea.
N/A	0003-510009	10" Angle Ring- Punched	ea.
N/A	0003-510008	C - 10" STEELFront Inspection Door Assembly (Small door on Top Tube)	ea.
N/A	0151-001011	10" OD x .125 x 23' 6063-T6 Seamless Tube (Construction Tube)	FT
N/A	0003-560013	10" ALUM Auger Spout Plasmaed & Rolled	ea.
N/A	0161-004007	10" ID x 1 1/4"W x 1 1/4"H x 3/16" GA Aluminum Angle Ring	ea.
N/A	0003-560008	10" ALUM Inspection Door **ASSEMBLY** (Small door on Top Tube)	ea.
<b>FOAM TAPE AND RUBBER SWEEP</b>			
N/A	0149-000200	1/4"x1" A/B Celltite Sponge x 25'	FT
N/A	0149-000202	3/4" x 3/4" x 12.5 ft. A/B Celltite Sponge	FT
N/A	0149-000203	1/8 x 1/2 Foam Tape x 50'	FT
N/A	0149-000210	1" x 1"cw A/B Celltite Sponge x 12.5 ft.	FT
N/A	0149-000211	1 1/4" (thick) x3/4" (width) A/Bcelltite sponge x 6ft 55 Lengths Minimum Order	FT
N/A	0149-000212	3/8" x 1" A/B Celltite Sponge 20 ft/RI	FT
N/A	0149-000201	Rubber Utility Skirt	FT^2
<b>HYDRAULIC PARTS</b>			
N/A	0147-700010	1/2" NPT Selector Valve	ea.
N/A	0147-700009	3/4" NPT Selector Valve	ea.
N/A	0147-700015	50/50 Flow Divider	ea.
N/A	0146-000012	Seal Kit for 5.9 cu in. Hydraulic Motor (8" Augers)	ea.
N/A	0146-000013	Seal Kit for 5.9 cu in. Eaton Special Hydraulic Motor (10" Augers)	ea.
N/A	0146-000014	Seal Kit for 5.9 cu in. Nu-star Special Hydraulic Motor (8" & 10" Augers)	ea.