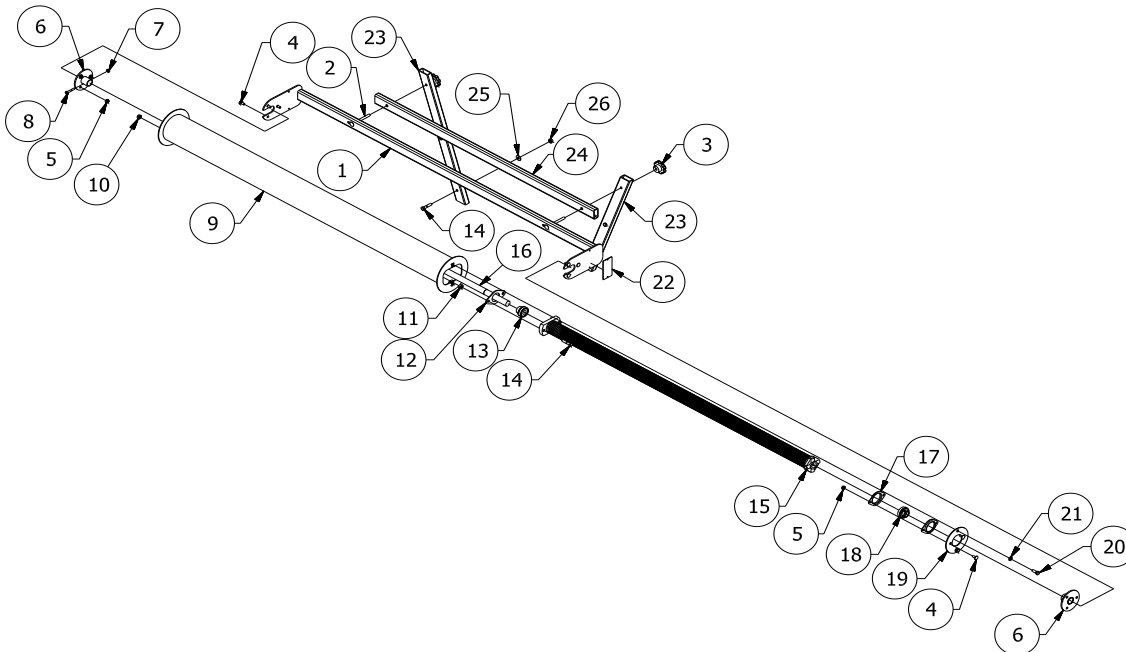


HP-CIH8880MREX - CASE 2388 FRONT ROLLTUBE ASSEMBLY
Case I.H. 2388, 2188, 1688 and 1680 With a MAURER Hopper Extension

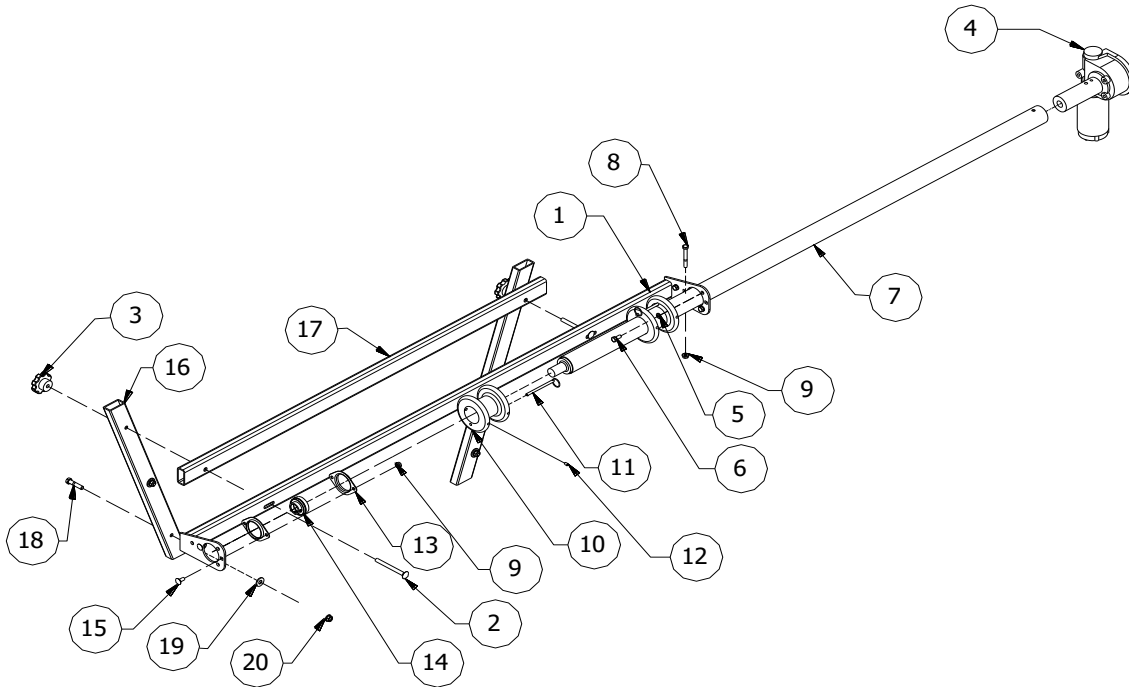
REF	PART #	DESCRIPTION	QTY
1	0007-000201	Front CNH Mounting Bracket	EACH
2	0105-009214	3/8" x 4" - Carriage Bolt	EACH
3	0113-400002	3/8" Black Female Knob w/o Cable	EACH
4	0105-009101	5/16"-18 x 3/4" GR2 - Carriage Bolt - Full Thread - ZINC	EACH
5	0100-001101	5/16"-18 GR2 - Nylock Lock Nut - ZINC	EACH
6	0007-000001	Front Rolltube Mount	EACH
7	0100-001100	1/4"-20 GR2 - Nylock Lock Nut - ZINC	EACH
8	0105-000006	1/4"-20 x 1-3/4" GR5 - Hex Cap Screw - ZINC	EACH
9	0007-000202	FRONT JD ROLLTUBE	EACH
10	0100-001302	3/8"-16 GR2 - Serrated Flange Lock Nut - ZINC	EACH
11	0100-001002	3/8"-16 GR2 - Hex Nut - ZINC	EACH
12	0002-040607	Bearing Flange - AF	EACH
13	0115-000006	SA205-16 Bearing	EACH
14	0105-000205	3/8"-16 x 1-3/4" GR5 - Hex Cap Screw - ZINC	EACH
15	0007-000205	CNH Torsion Spring Assembly - 58-3/8" C/W Instructions	EA
16	0007-000204	1" Aluminum Shaft - CNH 69-1/2"	EACH
17	0115-001000	T - 52MM2 Flangettes Pltd (SOLD AS EACH) Tariff# 7326.9085	EACH
18	0115-000008	T - UC205-16ECC Self Aligning Bearing Black Oxide	EACH
19	0007-000018	Rolltube - Shaft End Cap	EACH
20	0105-000202	3/8"-16 x 1" GR5 - Hex Cap Screw - Full Thread - ZINC	EACH
21	0101-001202	3/8" - Lock Washer - Plated	EACH
22	0114-000008	Serial Number Plates 2" x 4"	EACH
23	0007-000301	Front Extension Reinforcement	EACH
24	0007-000302	Front Rolltube Spacer	EACH
25	0101-001002	3/8" USS - Flat Washer - ZINC	EACH
26	0100-001102	3/8"-16 GR2 - Nylock Lock Nut - ZINC	EACH



**WITH SERIAL # 2007051 AND UP THE ROLLTUBE ENDS SWITCHED WHAT WA
 SIDE IS NOW DRIVER SIDE**

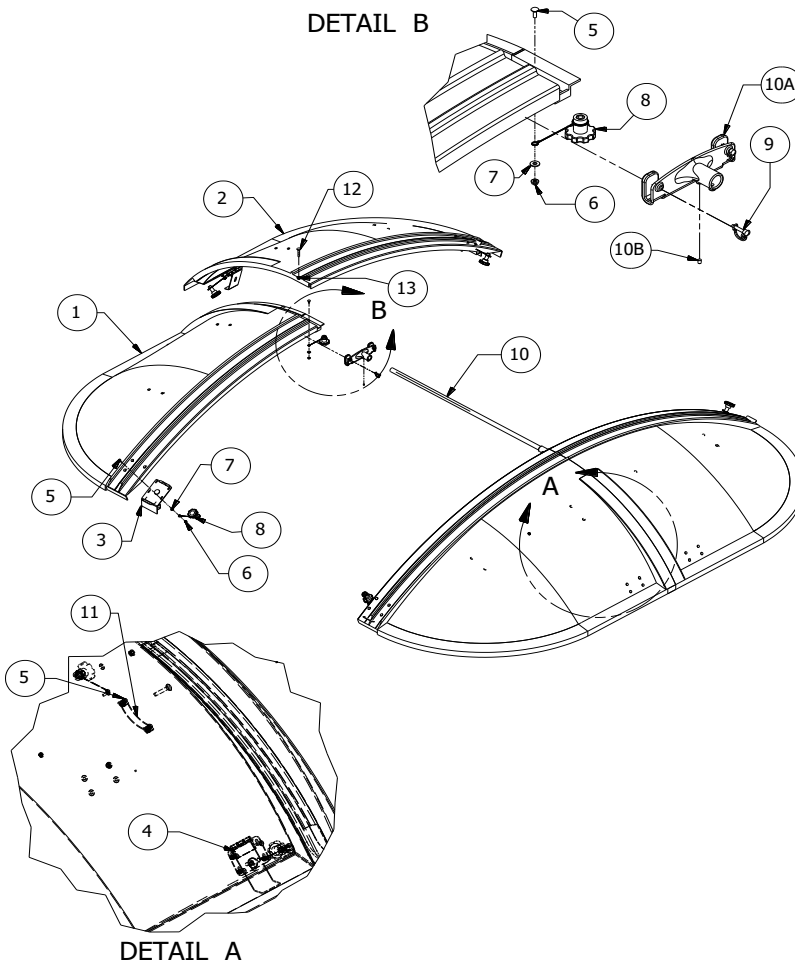
HP-CIH8880MREX - CASE 2388 REAR ROLLTUBE ASSEMBLY
Case I.H. 2388, 2188, 1688 and 1680 With a MAURER Hopper Extension

REF	PART #	DESCRIPTION	QTY
1	0007-000251	Rear CNH Rolltube Mounting Bracket	EACH
2	0105-009214	3/8" x 4" - Carriage Bolt	EACH
3	0113-400002	3/8" Black Female Knob w/o Cable	EACH
4	0001-092101	12v Super Tork Motor with 2" Motor Shaft & Cover	EACH
5	0101-001201	5/16" - Split Lock Washer - ZINC	EACH
6	0105-000101	5/16"-18 x 3/4" GR5 - Hex Cap Screw - Full Thread - ZINC	EACH
7	0007-000252	Rear CNH Rolltube	ea.
8	0105-000108	5/16"-18 x 2-1/2" GR5 - Hex Cap Screw - ZINC	EACH
9	0100-001101	5/16"-18 GR2 - Nylock Lock Nut - ZINC	EACH
10	0007-000002	Combine Pulley C/W 4 0104-000002 Set Screws	EACH
11	0110-000019	1/4" x 3-1/2" CTRLS HITCHPIN (Pins for Combine Cover Strap Pulleys)	EA
12	0104-000002	1/4"-20 x 3/8" - Socket Set Screw - Knurled Cup Point - BARE	EACH
13	0115-001000	T - 52MM2 Flangettes Pltd (SOLD AS EACH) Tariff# 7326.9085	EACH
14	0115-000008	T - UC205-16ECC Self Aligning Bearing Black Oxide	EACH
15	0105-009101	5/16"-18 x 3/4" GR2 - Carriage Bolt - Full Thread - ZINC	EACH
16	0007-000351	Rear Extension Reinforcement	EACH
17	0007-000352	Rear Rolltube Spacer	EACH
18	0105-000205	3/8"-16 x 1-3/4" GR5 - Hex Cap Screw - ZINC	EACH
19	0101-001002	3/8" USS - Flat Washer - ZINC	EACH
20	0100-001102	3/8"-16 GR2 - Nylock Lock Nut - ZINC	EACH



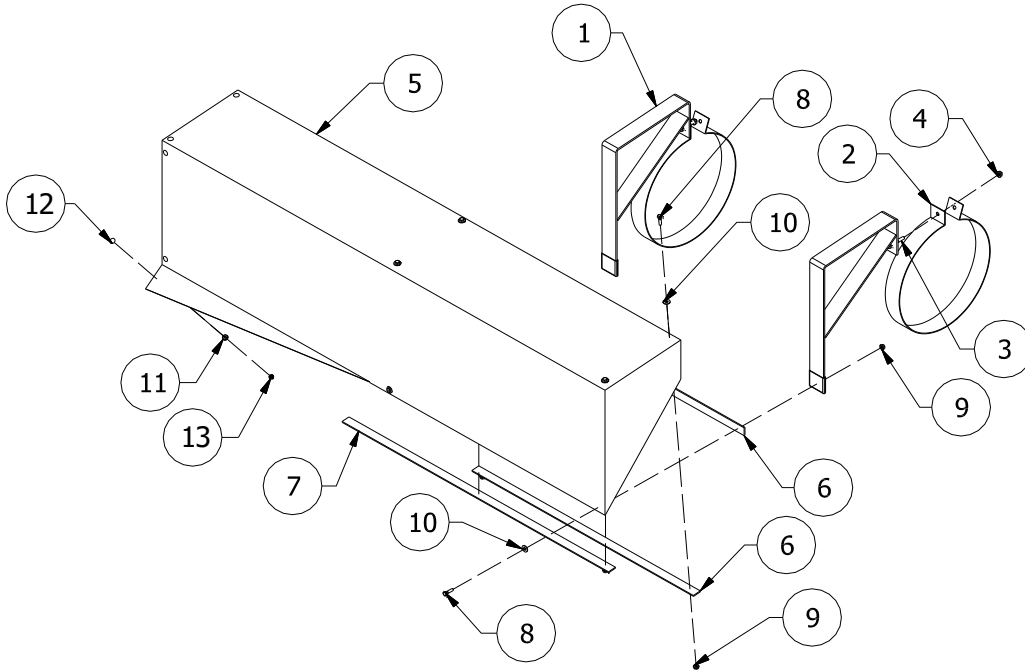
HP-CIH8880MREX - CASE 2388 HOOD ASSEMBLY
Case I.H. 2388, 2188, 1688 and 1680 With a MAURER Hopper Extension

REF	PART #	DESCRIPTION	QTY
1	0113-400011	CR960-940 Hood - Trough- BLACK (No Decal)	EACH
2	0113-400010	CR960-940 Hood - Lip c/w Decal -BLACK	EACH
3	0007-000015	Hood Clamp - 2-1/2"	EACH
4	0007-000012	Hood Clamp - 1-3/4" ZP & Black Powder Coated	EACH
5	0105-007003	1/4"-20 x 1" - Truss Head Machine Screw - ZINC	EACH
6	0101-001000	1/4" USS - Flat Washer - ZINC	EACH
7	0100-001100	1/4"-20 GR2 - Nylock Lock Nut - ZINC	EACH
8	0007-000013	3/8" Plastic Knob - Long c/w Cable	EACH
9	0110-000018	Quick Pin 1/4"x1-3/4-Rnd Loop PLTD	EACH
10	0007-000273	C - Middle Support Bracket CR960-940 C/W Plastic Ends	EACH
10A	0113-400019	Middle Support Bracket End - Combine- Black c/w Inserts	EA
10B	0104-000002	1/4"-20 x 3/8" - Socket Set Screw - Knurled Cup Point - BARE	EACH
11	0007-000014	Strap Handle - HP Hood	EACH
12	0105-009208	3/8" x 2-1/4" GR2 - Carriage Bolt - Full Thread	EACH
13	0100-001302	3/8"-16 GR2 - Serrated Flange Lock Nut - ZINC	EACH



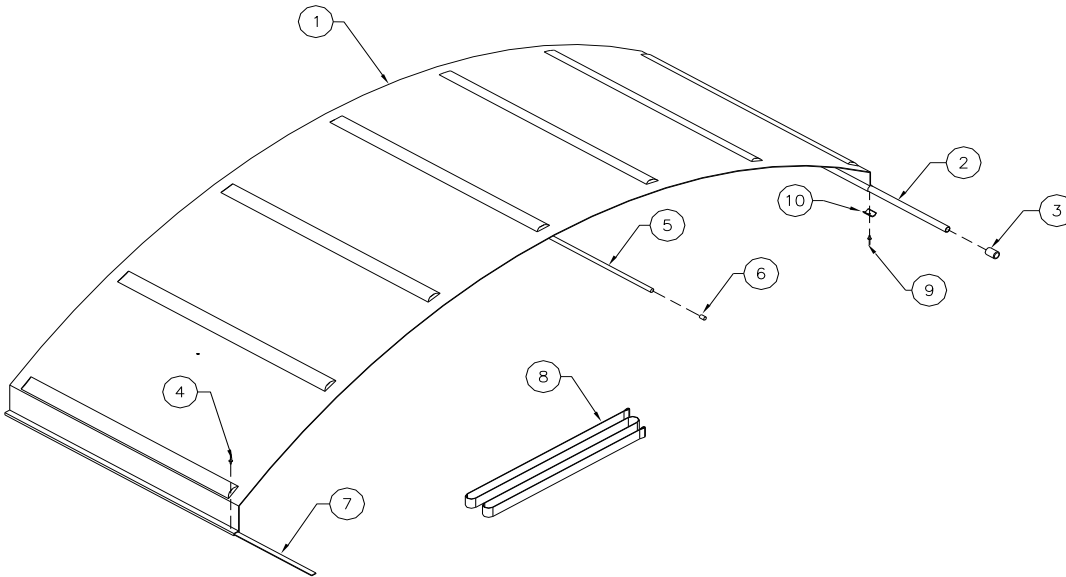
HP-CIH8880MREX - CASE 2388 UNLOADING AUGER TARP ASSEMBLY
Case I.H. 2388, 2188, 1688 and 1680 With a MAURER Hopper Extension

REF	PART #	DESCRIPTION	QTY
1	0007-000392	Unloading Tarp Brace - Case 88	EACH
2	0007-000391	Auger Clamp - 13"	EACH
3	0105-000106	5/16"-18 x 2" GR5 - Hex Cap Screw	EACH
4	0100-001101	5/16"-18 GR2 - Nylock Lock Nut - ZINC	EACH
5	0007-000393	Case 2388 Unloading Auger Tarp	EACH
6	0007-000393A	1" Fiberglass Flat x 32-1/2"	EA
7	0007-000393B	1" Fiberglass Flat x 38-1/2"	EA
8	0105-000003	1/4"-20 x 1" GR5 - Hex Cap Screw - Full Thread - ZINC	EACH
9	0100-001100	1/4"-20 GR2 - Nylock Lock Nut - ZINC	EACH
10	0101-001000	1/4" USS - Flat Washer - ZINC	EACH
11	0121-000207	Dura Snap Socket Nickel Brass	EACH
12	0121-000205	Dura Snap Standard Barrel Cap Nickel Plated	EACH
13	0121-000200	Dura Snap 3/8" Screw Stud	EACH



HP-CIH8880MREX - CASE 2388 TARP ASSEMBLY
Case I.H. 2388, 2188, 1688 and 1680 With a MAURER Hopper Extension

REF	PART #	DESCRIPTION	QTY
1	0007-000284	CR960-940 Replacement Tarp Black - C/W- Pop Rivits, Rod Caps (NO SUPPORT PIPES)	EACH
2	0007-000286	Rear Rienforcement Pipe -CR960 C/W 2 0113-000020 Pipe Caps	EACH
3	0113-000020	1" - Crank Handle Plug - Ribbed - 10-14 GA	EACH
4	0103-000009	3/16"x 3/16" - 1/4" Grip - Pop Rivet - Steel/Steel Button Head (Sewing	EACH
5	0007-000287	Tarp Center Rod Support - CR960-940 C/W 2 0113-4000006 11/16" Center Cap	EACH
6	0113-400006	.S Caps-0.687-1.5-0.060-701- RED	EACH
7	0113-001000	Fiberglass Flat / FT.	FT.
8	0007-000285	Pull Straps - CR960-940	EACH
9	0106-000011	#10-24 x 3/4" - Wafer Head - Square - Self Drilling Screw - ZINC	EACH
10	0113-000036B	T - Retainer Clip - Small- Screws sold separte	EACH



HP-CIH8880MREX - CASE 2388 ELECTRIC ASSEMBLY Case I.H. 2388, 2188, 1688 and 1680 With a MAURER Hopper Extension

REF	PART #	DESCRIPTION	QTY
1	0145-400002	T - Rocker Switch only - (25 , 40 or 50 Amp)	ea.
2	0105-000003	1/4"-20 x 1" GR5 - Hex Cap Screw - Full Thread - ZINC	ea.
3	0100-001100	1/4"-20 GR2 - Nylock Lock Nut - ZINC	ea.
4	0145-100049	16-14 GA Female Quick Disconnect Insulated Tab Size .25"	ea.
5	0145-900023	Ring Terminal Nylon- 16-14 GA Stud Size 1/4"	ea.
6	0145-100007	T - 14-3/C Switch Wire	FT
7	0145-400021	CT - Heavy Duty 12 Volt DC ContactorC/Wwire End, Nuts & Wiring Diag & 4 Insulato	ea.
#REF!	#REF!	#REF!	#REF!
9	0145-900044	#4 Tin Plated Lugs - 3/8" Stud - solderable	ea.
10	0145-910112	T, C - Hi Amp Auto Reset 50 amp Circuit Breaker- Surface Mount - c/w Wire Ends	ea.
11	0145-900046	#4 Tin Plated Lugs - #10 Stud Solderable	ea.
1-11	0145-400015	Rocker Switch & HDRelay Kit 50 Amp12 V c/w 1/4" Ring Term & Insulators	ea.
12	0145-120015	T - Wire #6 Duplex	FT
14	0145-200005	7/8 " - Diameter x 1/2" Wire Clamp - Vinyl Dipped	ea.
15	0125-001002	7" x 50# - Nylon Cable Tie - Cold Weather - Black UV (ACT Only)	ea.
16	0145-900045	#4 Tin Plated Lugs - 1/4" Stud -Solderable	ea.
17	0145-400007	3/8" Wire Clip	ea.

