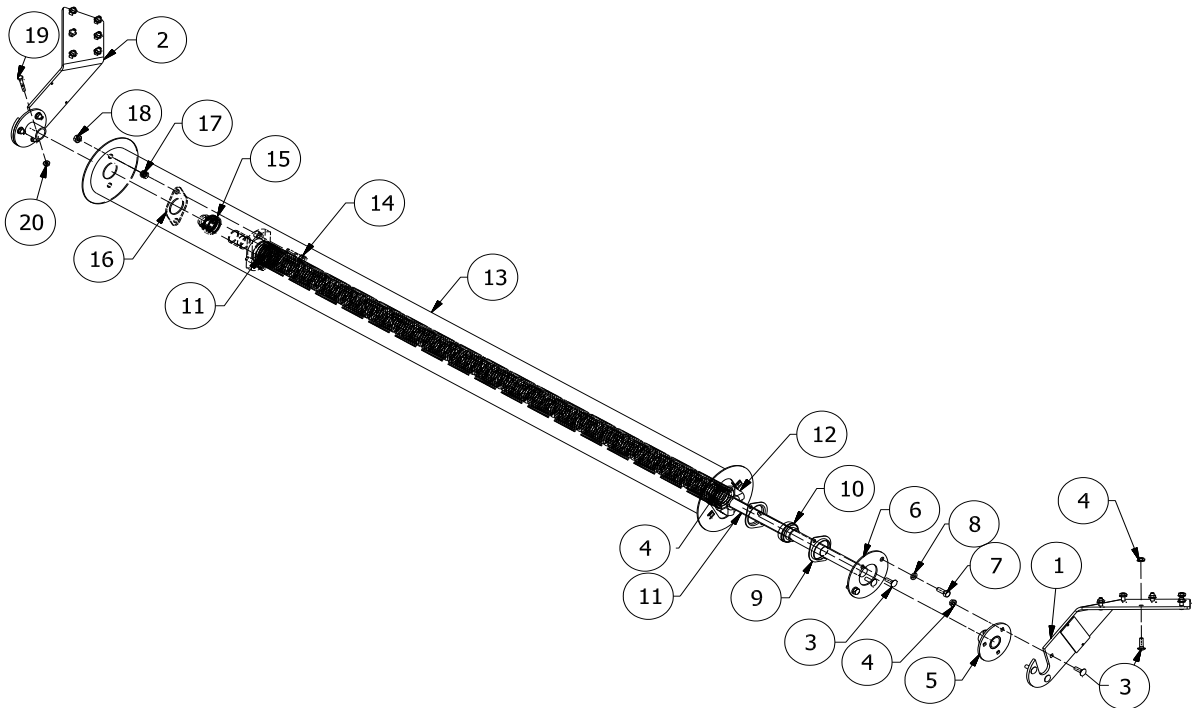




HP-JD5060MAURE JOHN DEERE 50-60 MAURER FRONT ROLLTUBE ASSEMBLY

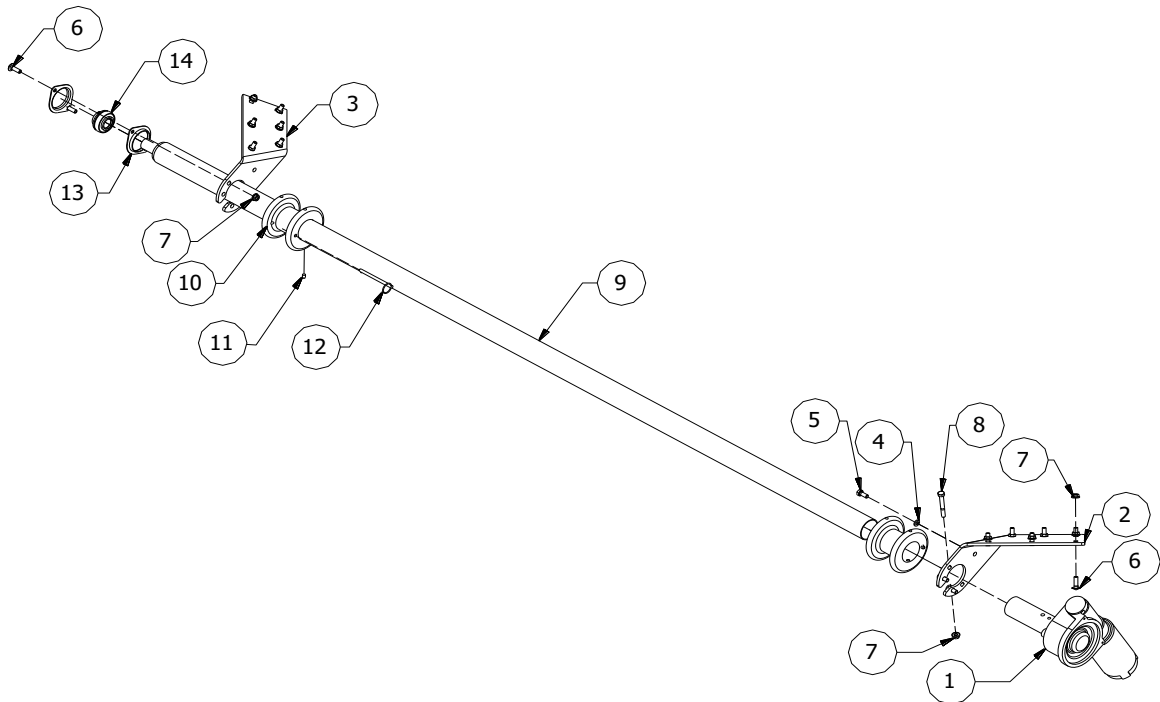
For Model's: 9650, 9750, 9850, 9660, 9760, 9860, 9670, 9770, 9870 C/W MAURER EXTENSIONS

REF	PART #	DESCRIPTION	QTY
1	0007-000601	Maurer Front Driver Rolltube Bracket	EA
2	0007-000602	Maurer Front Passenger Rolltube Bracket	EA
3	0105-009210	3/8"-16 x 3" GR2 - Carriage Bolt - Full Thread - ZINC	EACH
4	0100-001101	5/16"-18 GR2 - Nylock Lock Nut - ZINC	EACH
5	0007-000001	Front Rolltube Mount	EACH
6	0007-000018	Rolltube - Shaft End Cap	EACH
7	0105-000202	3/8"-16 x 1" GR5 - Hex Cap Screw - Full Thread - ZINC	EACH
8	0101-001202	3/8" - Lock Washer - Plated	EACH
9	0115-001000	T - 52MM2 Flangettes Pltd (SOLD AS EACH) Tariff# 7326.9085	EACH
10	0115-000008	T - UC205-16ECC Self Aligning Bearing Black Oxide	EACH
11	0007-000603	Maurer Front Aluminum Shaft	EA
12	0002-040612	Air Flip Roll Tube Spring c/w Bearing End, Tightner End & **Instructions**	EACH
13	0007-000604	Maurer Front Aluminum Rolltube ONLY 78"	EA
14	0105-000205	3/8"-16 x 1-3/4" GR5 - Hex Cap Screw - ZINC	EACH
15	0115-000006	SA205-16 Bearing	EACH
16	0002-040607	Bearing Flange - AF	EACH
17	0100-001002	3/8"-16 GR2 - Hex Nut - ZINC	EACH
18	0100-001302	3/8"-16 GR2 - Serrated Flange Lock Nut - ZINC	EACH
19	0105-000006	1/4"-20 x 1-3/4" GR5 - Hex Cap Screw - ZINC	EACH
20	0100-001100	1/4"-20 GR2 - Nylock Lock Nut - ZINC	EACH



HP-JD5060MAURE JOHN DEERE 50-60 MAURER REAR ROLLTUBE ASSEMBLY
For Model's: 9650, 9750, 9850, 9660, 9760, 9860, 9670, 9770, 9870 C/W MAURER EXTENSIONS

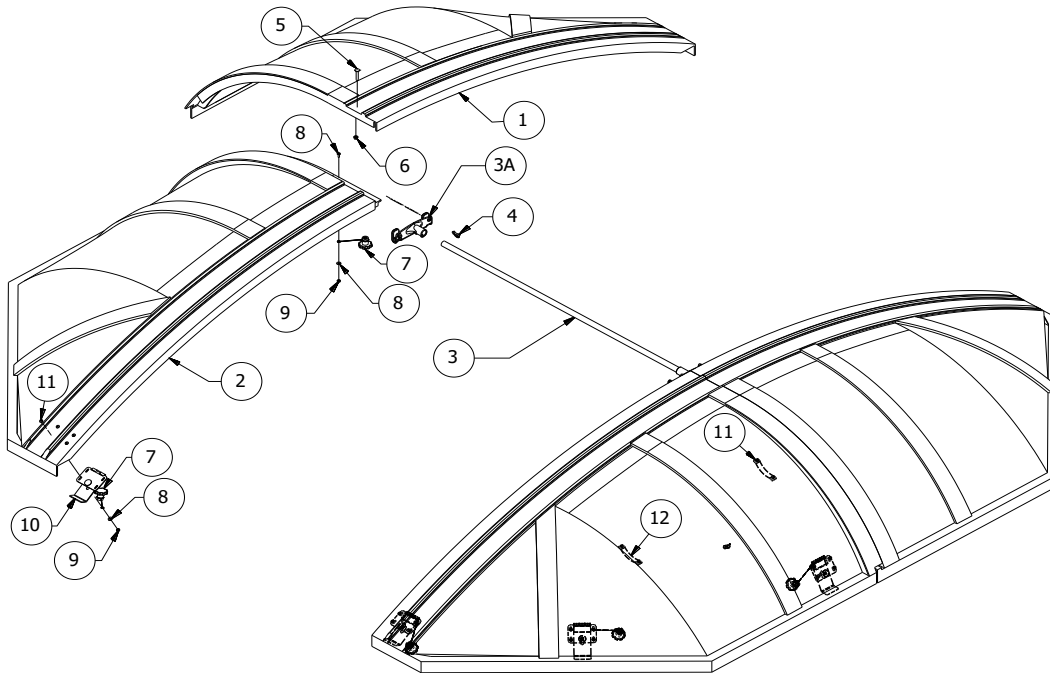
REF	PART #	DESCRIPTION	QTY
1	0001-092101	12v Super Tork Motor with 2" Motor Shaft & Cover	EACH
2	0007-000653	Maurer Rear Passenger Rolltube Bracket	EA
3	0007-000652	Maurer Rear Driver Rolltube Bracket	EA
4	0101-001201	5/16" - Split Lock Washer - ZINC	EACH
5	0105-000101	5/16"-18 x 3/4" GR5 - Hex Cap Screw - Full Thread - ZINC	EACH
6	0105-009210	3/8"-16 x 3" GR2 - Carriage Bolt - Full Thread - ZINC	EACH
7	0100-001101	5/16"-18 GR2 - Nylock Lock Nut - ZINC	EACH
8	0105-000108	5/16"-18 x 2-1/2" GR5 - Hex Cap Screw - ZINC	EACH
9	0007-000651	Maurer Rear Rolltube	EA
10	0007-000002	Combine Pulley C/W 4 0104-000002 Set Screws	EACH
11	0104-000002	1/4"-20 x 3/8" - Socket Set Screw - Knurled Cup Point - BARE	EACH
12	0110-000019	1/4" x 3-1/2" CTRLS HITCHPIN (Pins for Combine Cover Strap Pulleys)	EA
13	0115-001000	T - 52MM2 Flangettes Pltd (SOLD AS EACH) Tariff# 7326.9085	EACH
14	0115-000008	T - UC205-16ECC Self Aligning Bearing Black Oxide	EACH



HP-JD5060MAURE JOHN DEERE 50-60 MAURER HOOD ASSEMBLY

For Model's: 9650, 9750, 9850, 9660, 9760, 9860, 9670, 9770, 9870 C/W MAURER EXTENSIONS

REF	PART #	DESCRIPTION	QTY
1	0113-400014	JD Maurer Combine Hood -LIP- Decal/Writing YELLOW	EA
2	0113-400013	JD Maurer Combine Hood -Trough - No Decal/writing- YELLOW	EA
3	0007-000671	C - Maurer Middle Support Bracket - 61-3/4" C/W Plastic Ends	EA
3A	0113-400019	Middle Support Bracket End - Combine- Black c/w Inserts	EA
4	0110-000018	Quick Pin 1/4"x1-3/4-Rnd Loop PLTD	EACH
5	0105-009208	3/8" x 2-1/4" GR2 - Carriage Bolt - Full Thread	EACH
6	0100-001302	3/8"-16 GR2 - Serrated Flange Lock Nut - ZINC	EACH
7	0007-000013	3/8" Plastic Knob - Long c/w Cable	EACH
8	0101-001000	1/4" USS - Flat Washer - ZINC	EACH
9	0100-001100	1/4"-20 GR2 - Nylock Lock Nut - ZINC	EACH
10	0007-000012	Hood Clamp - 1-3/4" ZP & Black Powder Coated	EACH
11	0105-007003	1/4"-20 x 1" - Truss Head Machine Screw - ZINC	EACH
12	0007-000014	Strap Handle - HP Hood	EACH

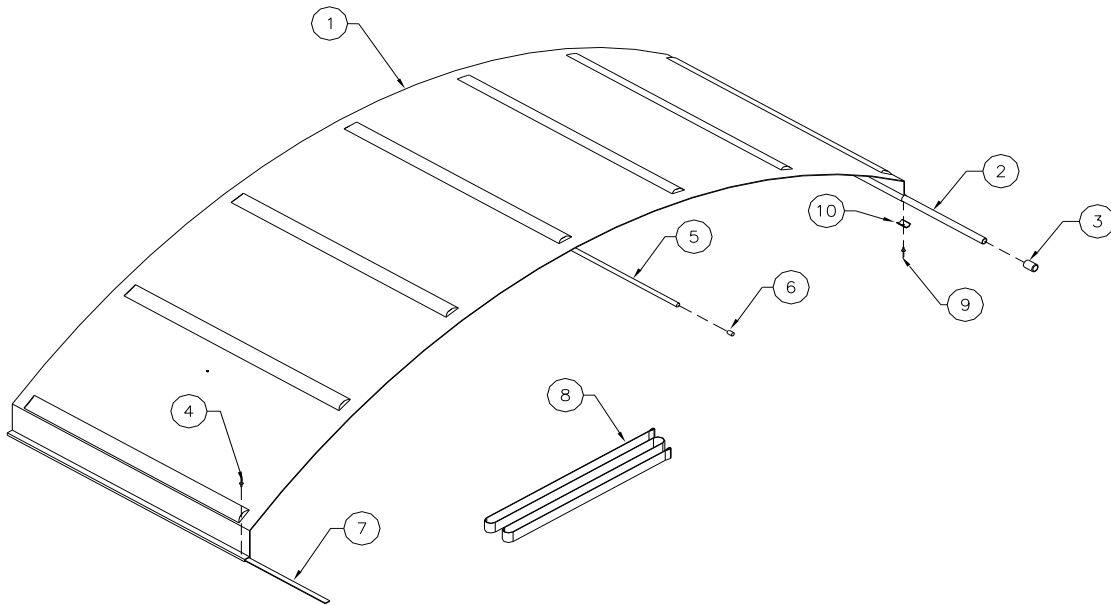


EACH HOOD GETS (3) HOOD LATCHES REF#6 AND (2) STRAP HANDLES REF#5 MOUNTED ON THE INSIDE OF THEM

HP-JD5060MAURE JOHN DEERE 50-60 MAURER TARP ASSEMBLY

For Model's: 9650, 9750, 9850, 9660, 9760, 9860, 9670, 9770, 9870 C/W MAURER EXTENSIONS

REF	PART #	DESCRIPTION	QTY
1	0007-000680	JD 50-60 Maurer Tarp - 19oz Yellow C/W- Pop Rivits, Rod Caps (NO SUPPORT PIPES)	EA
2	0007-000681	Maurer Rear Pull Pipe - 80" C/W 2 0113-4000006 11/16" Center Cap	EA
3	0113-000020	1" - Crank Handle Plug - Ribbed - 10-14 GA	EACH
4	0103-000009	3/16"x 3/16" - 1/4" Grip - Pop Rivet - Steel/Steel Button Head (Sewing	EACH
5	0007-000682	Maurer Tarp Support Pipe - 66-3/4" C/W 2 0113-4000006 11/16" Center Cap	EA
6	0113-400007	S-Cap .812-1.50 - .060-701-89 Black	EACH
7	0113-001000	Fiberglass Flat / FT.	FT.
8	0007-000683	Maurer Pull Straps - 183" FM	EA
9	0106-000011	#10-24 x 3/4" - Wafer Head - Square - Self Drilling Screw - ZINC	EACH
10	0113-000036B	T - Retainer Clip - Small- Screws sold seperate	EACH



HP-JD5060MAURE JOHN DEERE 50-60 MAURER ELECTRIC ASSEMBLY

For Model's: 9650, 9750, 9850, 9660, 9760, 9860, 9670, 9770, 9870 C/W MAURER EXTENSIONS

REF	PART #	DESCRIPTION	QTY
1	0145-400002	T - Rocker Switch only - (25 , 40 or 50 Amp)	EACH
2	0105-000003	1/4"-20 x 1" GR5 - Hex Cap Screw - Full Thread - ZINC	EACH
3	0100-001100	1/4"-20 GR2 - Nylock Lock Nut - ZINC	EACH
4	0145-100049	16-14 GA Female Quick Disconnect Insulated Tab Size .25"	Ea.
5	0145-900023	Ring Terminal Nylon- 16-14 GA Stud Size 1/4"	EA
6	0145-100007	T - 14-3/C Switch Wire	FT
7	0145-400021	CT - Heavy Duty 12 Volt DC Contactor/Wwire End, Nuts & Wiring Diag & 4 Insulato	EACH
9	0145-900044	#4 Tin Plated Lugs - 3/8" Stud - solderable	EA
10	0145-910112	T, C - Hi Amp Auto Reset 50 amp Circuit Breaker- Surface Mount - c/w Wire Ends	EA
11	0145-900046	#4 Tin Plated Lugs - #10 Stud Solderable	EA
1-11	0145-400015	Rocker Switch & HDRelay Kit 50 Amp12 V c/w 1/4" Ring Term & Insulators	EACH
12	0145-120015	T - Wire #6 Duplex	FT
14	0145-200005	7/8 " - Diameter x 1/2" Wire Clamp - Vinyl Dipped	EACH
15	0125-001002	7" x 50# - Nylon Cable Tie - Cold Weather - Black UV (ACT Only)	EACH
16	0145-900045	#4 Tin Plated Lugs - 1/4" Stud -Solderable	EA
17	0145-400007	3/8" Wire Clip	EACH

