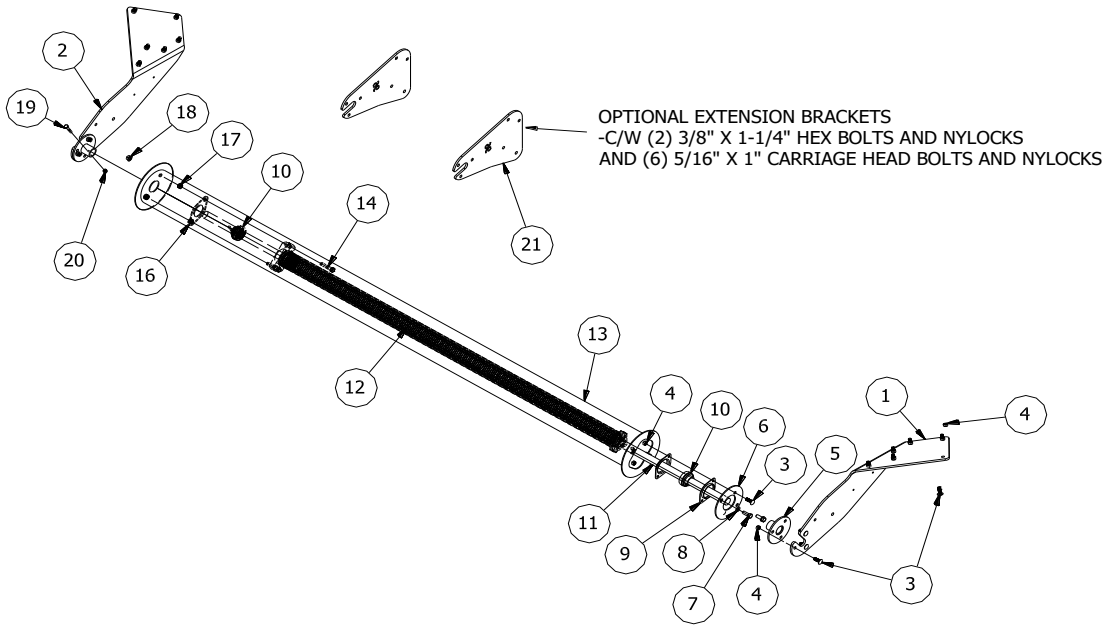


For Model's 9600, 9610, 9500, 9510, CTS, CTS II C/W MAURE EXTENSION

JOHN DEERE 9600 MAURER FRONT ROLLTUBE ASSEMBLY

REF	PART #	DESCRIPTION	QTY
1	0007-000803	FRONT DRIVER ROLLTUBE MOUNTING BRACKET	ea.
2	0007-000804	FRONT PASSENGER ROLLTUBE MOUNTING BRACKET	ea.
3	0105-009102	5/16" X 1 CARRIAGE HEAD BOLT	ea.
4	0100-001101	5/16"-18 GR2 - Nylock Lock Nut - ZINC	EACH
5	0007-000001	Front Rolltube Mount	EACH
6	0007-000018	Rolltube - Shaft End Cap	EACH
7	0105-000202	3/8"-16 x 1" GR5 - Hex Cap Screw - Full Thread - ZINC	EACH
8	0101-001202	3/8" - Lock Washer - Plated	EACH
9	0115-001000	FRONT JD ROLLTUBE	EACH
10	0115-000008	T - UC205-16ECC Self Aligning Bearing Black Oxide	EACH
11	0007-000802	ALUMINUM FRONT SHAFT - 86"	ea.
-	0110-000006	1/4" x 1-1/4" ROLL PIN	ea.
12	0002-040612	TORSION SPRING c/w ENDS	ea.
13	0007-000801	FRONT ALUMINUM ROLLTUBE - 80"	ea.
14	0105-000205	3/8"-16 x 1-3/4" GR5 - Hex Cap Screw - ZINC	EACH
15	0115-000006	SA205-16 SELF ALIGNING BEARING	ea.
16	0002-040607	Bearing Flange - AF	EACH
17	0100-001002	3/8"-16 GR2 - Hex Nut - ZINC	EACH
18	0100-001302	3/8"-16 GR2 - Serrated Flange Lock Nut - ZINC	EACH
19	0105-000006	1/4"-20 x 1-3/4" GR5 - Hex Cap Screw - ZINC	EACH
20	0100-001100	1/4"-20 GR2 - Nylock Lock Nut - ZINC	EACH

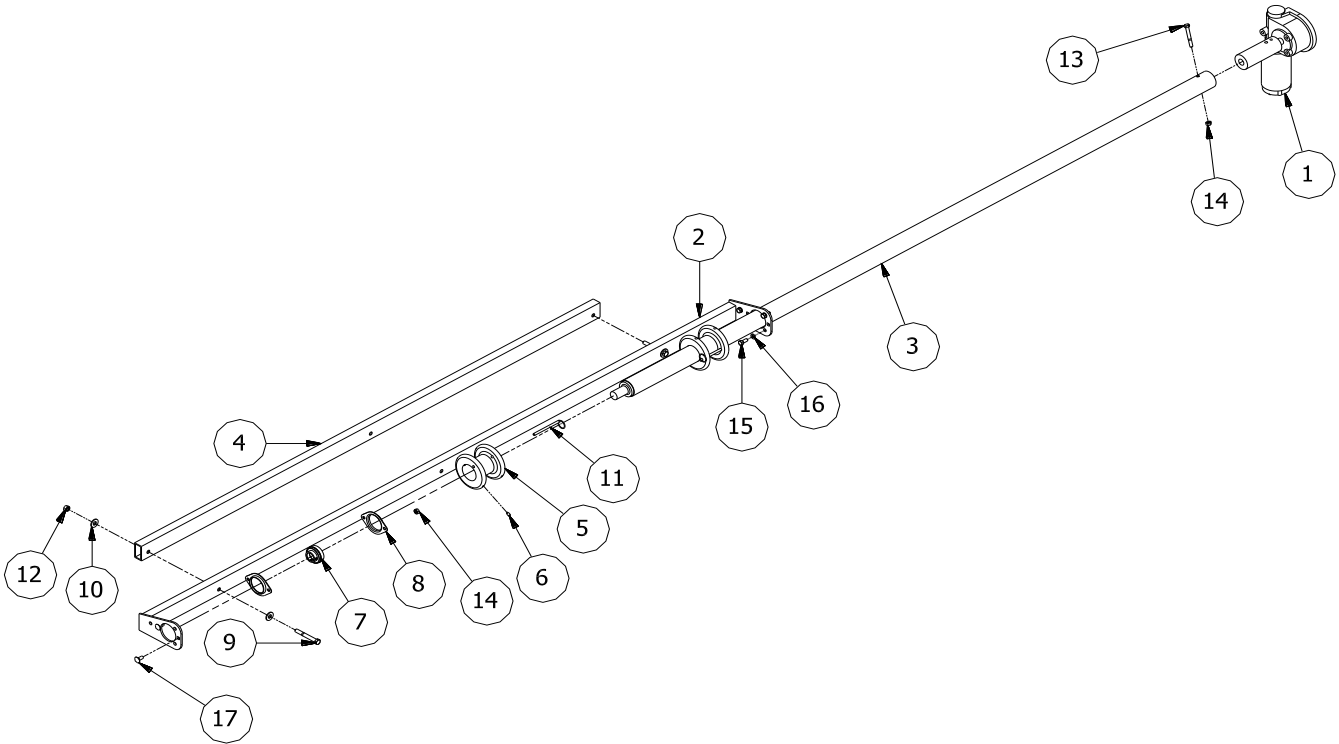
-	HP-JD96MR8TP	JD 9600 MAUER 8" TIP UP KIT C/W FOLLOWING PARTS	ea.
21	0160-007027R0	9600 MAUER 8" EXT. PLATE	ea.
-	0105-009102	5/16" X 1 CARRIAGE HEAD BOLT	ea.
-	0100-001101	5/16"-18 GR2 - Nylock Lock Nut - ZINC	ea.
-	0105-000203	3/8" X 1-1/4" HEX BOLT	ea.
-	0100-001102	3/8" NYLOCK NUT	ea.



For Model's 9600, 9610, 9500, 9510, CTS, CTS II C/W MAURE EXTENSION

JOHN DEERE 9600 MAURER REAR ROLLTUBE ASSEMBLY

REF	PART #	DESCRIPTION	QTY
1	0001-092101	12v Super Tork Motor with 2" Motor Shaft & Cover	EACH
2	0007-000851	REAR ROLLTUBE BRACKET - JD96MREXT	ea.
3	0007-000853	REAR ROLLTUBE - 85"	ea.
4	0007-000852	REAR SPACER TUBING - 67"	ea.
5	0007-000002	Combine Pulley C/W 4 0104-000002 Set Screws	EACH
6	0104-000002	1/4"-20 x 3/8" - Socket Set Screw - Knurled Cup Point - BARE	EACH
7	0115-000008	T - UC205-16ECC Self Aligning Bearing Black Oxide	EACH
8	0115-001000	FRONT JD ROLLTUBE	EACH
9	0105-000210	3/8" X 3" HEX BOLT	ea.
10	0101-001002	3/8" USS - Flat Washer - ZINC	EACH
11	0110-000019	1/4" x 3-1/2" CTRLS HITCHPIN (Pins for Combine Cover Strap Pulleys)	EA
12	0100-001102	3/8"-16 GR2 - Nylock Lock Nut - ZINC	EACH
13	0105-000108	5/16"-18 x 2-1/2" GR5 - Hex Cap Screw - ZINC	EACH
14	0100-001101	5/16"-18 GR2 - Nylock Lock Nut - ZINC	EACH
15	0105-000101	5/16"-18 x 3/4" GR5 - Hex Cap Screw - Full Thread - ZINC	EACH
16	0101-001201	5/16" - Split Lock Washer - ZINC	EACH
17	0105-009101	5/16"-18 x 3/4" GR2 - Carriage Bolt - Full Thread - ZINC	EACH

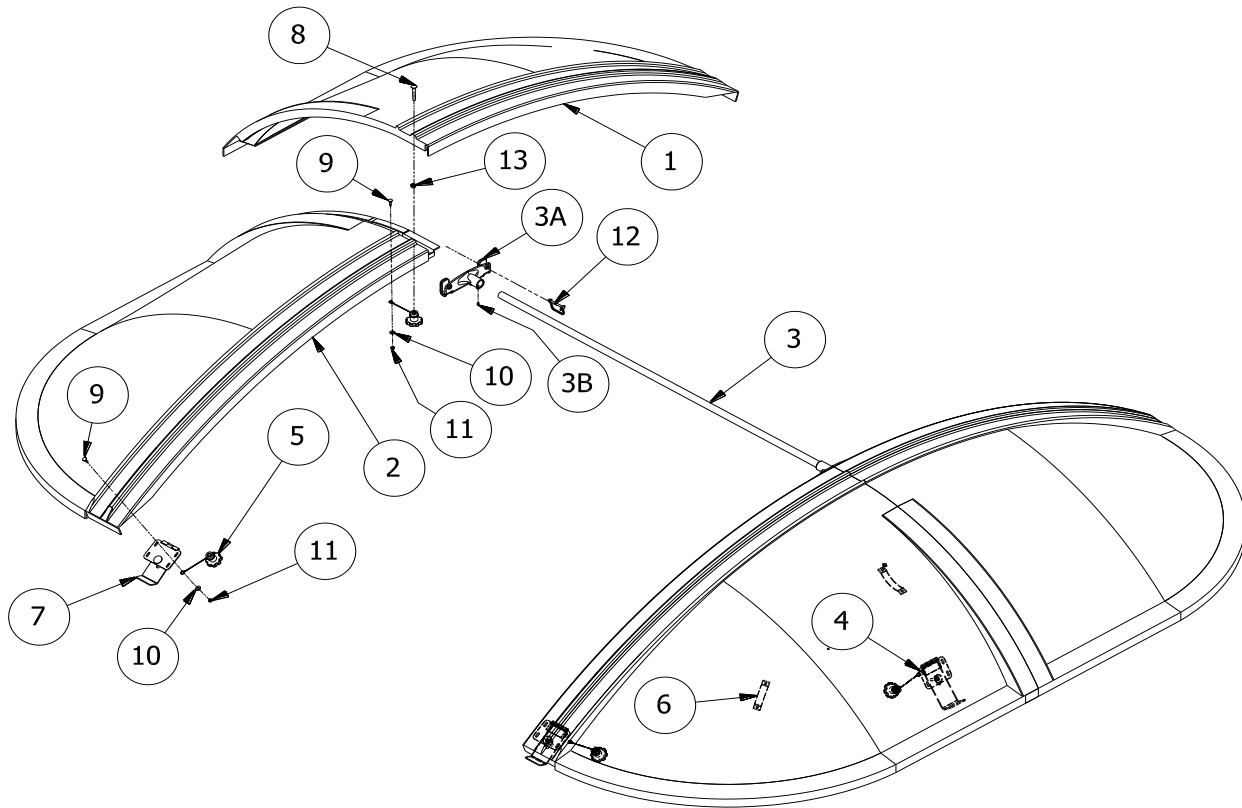


HP-JD96MREXT - JD 9600 with Maurer Ext.
For Model's 9600, 9610, 9500, 9510, CTS, CTS II C/W MAURE EXTENSION

June 11, 2021

JOHN DEERE 9600 MAURER HOOD ASSEMBLY

REF	PART #	DESCRIPTION	QTY
1	0113-400020	CR 960-940 HOOD - LIP/ DECAL-YELLOW	EACH
2	0113-400021	CR 960-940 HOOD - TROUGH/ NO DECAL-YELLOW	EACH
3	0007-000861	MIDDLE SUPPORT BRACKET - 66-1/2"	ea.
3A	0113-400019	Middle Support Bracket End - Combine- Black c/w Inserts	ea.
3B	0104-000002	1/4"-20 x 3/8" - Socket Set Screw - Knurled Cup Point - BARE	EACH
4	0007-000862	HOOD LATCH- JD96MREXT	ea.
5	0007-000013	3/8" Plastic Knob - Long c/w Cable	EACH
6	0007-000014	Strap Handle - HP Hood	EACH
7	0007-000012	Hood Clamp - 1-3/4" ZP & Black Powder Coated	EACH
8	0105-009208	3/8" x 2-1/4" GR2 - Carriage Bolt - Full Thread	EACH
9	0105-007003	1/4"-20 x 1" - Truss Head Machine Screw - ZINC	EACH
10	0101-001000	1/4" USS - Flat Washer - ZINC	EACH
11	0100-001100	1/4"-20 GR2 - Nylock Lock Nut - ZINC	EACH
12	0110-000018	Quick Pin 1/4"x1-3/4-Rnd Loop PLTD	EACH
13	0100-001302	3/8"-16 GR2 - Serrated Flange Lock Nut - ZINC	EACH

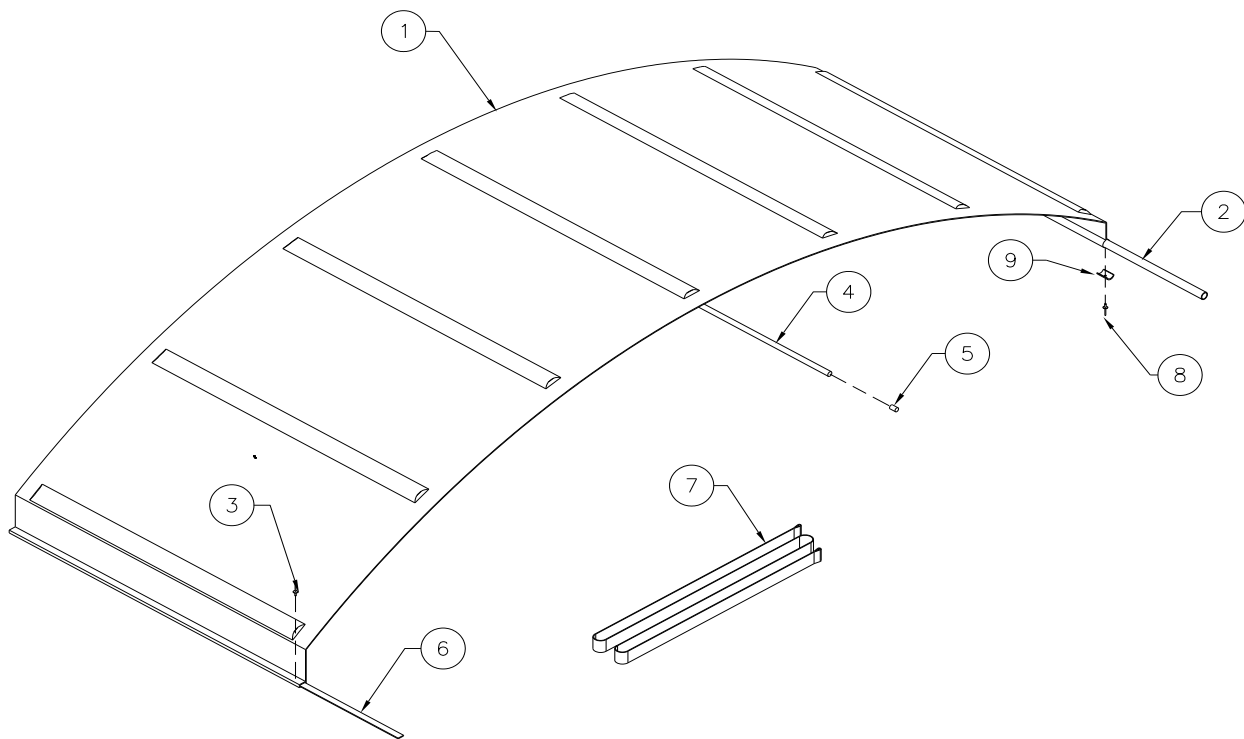


HP-JD96MREXT - JD 9600 with Maurer Ext.
For Model's 9600, 9610, 9500, 9510, CTS, CTS II C/W MAURE EXTENSION

June 11, 2021

JOHN DEERE 9600 MAURER TARP ASSEMBLY

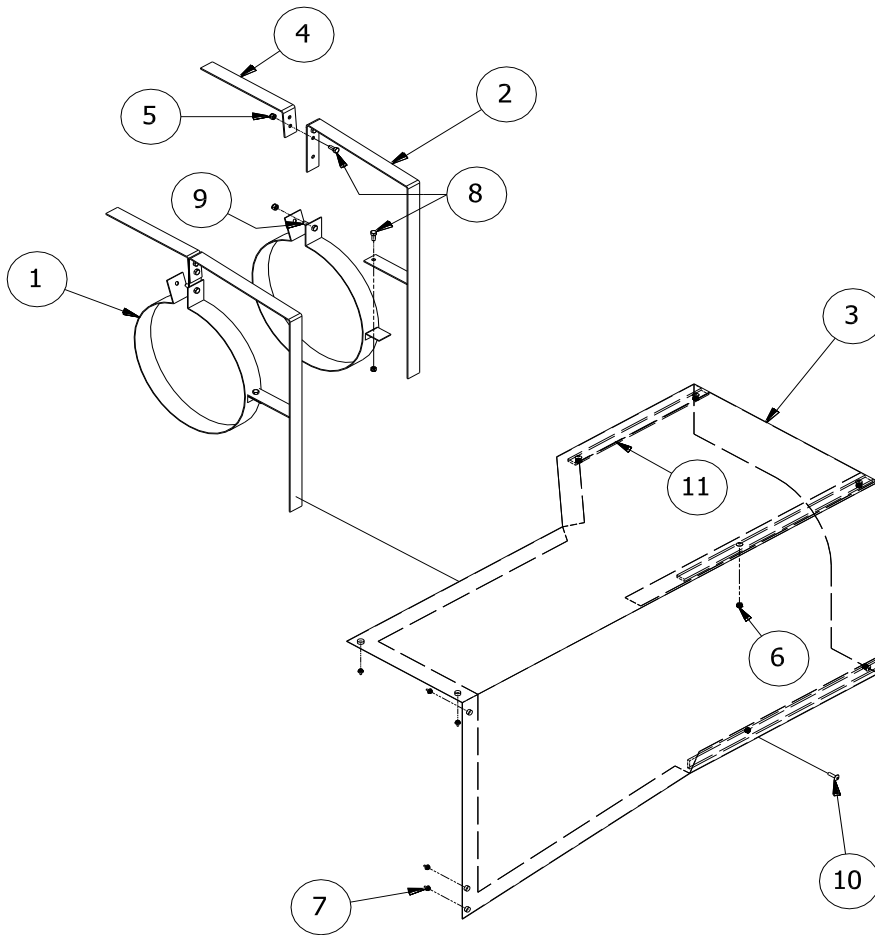
REF	PART #	DESCRIPTION	QTY
1	0007-000880	JOHN DEERE 9600 MAURER REPLACEMENT TARP - 19oz YELLOW	ea.
2	0007-000882	REAR PULL PIPE - 80" c/w REF#3	ea.
3	0103-000009	3/16"x 3/16" - 1/4" Grip - Pop Rivet - Steel/Steel Button Head (Sewing)	EACH
4	0007-000881	TARP SUPPORT PIPE - MAURER	ea.
5	0113-400007	S-Cap .812-1.50 - .060-701-89 Black	EACH
6	0113-001000	Fiberglass Flat / FT.	FT.
7	0007-000183	Pull Straps - 168 f.m. for John Deere 60/70 Factory	EACH



For Model's 9600, 9610, 9500, 9510, CTS, CTS II C/W MAURE EXTENSION

JOHN DEERE 9600 MAUER UNDLQAIING AUGER TARP ASSEMBLY

REF	PART #	DESCRIPTION	QTY
1	0007-000874	AUGER CLAMP - 14"	ea.
2	0007-000871	MAIN TARP BRACE	ea.
3	0007-000873	UNDLOADING AUGER TARP	ea.
4	0007-000872	END BRACE	ea.
5	0100-001101	5/16"-18 GR2 - Nylock Lock Nut - ZINC	ea.
6	0100-001100	1/4"-20 GR2 - Nylock Lock Nut - ZINC	ea.
7	0121-000200	DURA SNAP 38" SCREW STUD	ea.
8	0105-000101	5/16"-18 x 3/4" GR5 - Hex Cap Screw - Full Thread - ZINC	ea.
9	0105-000103	5/16" X 1-1/4" HEX BOLT	ea.
10	0105-007003	1/4"-20 x 1" - Truss Head Machine Screw - ZINC	EACH
11	0113-001000	Fiberglass Flat / FT.	FT



HP-JD96MREXT - JD 9600 with Maurer Ext.
For Model's 9600, 9610, 9500, 9510, CTS, CTS II C/W MAURE EXTENSION

June 11, 2021

JOHN DEERE 9600 MAURER ELECTRIC ASSEMBLY

REF	PART #	DESCRIPTION	QTY
1	0145-400002	T - Rocker Switch only - (25 , 40 or 50 Amp)	EACH
2	0105-000003	1/4"-20 x 1" GR5 - Hex Cap Screw - Full Thread - ZINC	EACH
3	0100-001100	1/4"-20 GR2 - Nylock Lock Nut - ZINC	EACH
4	0145-100049	16-14 GA Female Quick Disconnect Insulated Tab Size .25"	Ea.
5	0145-900023	Ring Terminal Nylon- 16-14 GA Stud Size 1/4"	EA
6	0145-100007	T - 14-3/C Switch Wire	FT
7	0145-400021	CT - Heavy Duty 12 Volt DC ContactorC/Wwire End, Nuts & Wiring Diag & 4 Insulato	EACH
#REF!	#REF!	#REF!	#REF!
9	0145-900044	#4 Tin Plated Lugs - 3/8" Stud - solderable	EA
10	0145-910112	T, C - Hi Amp Auto Reset 50 amp Circuit Breaker- Surface Mount - c/w Wire Ends	EA
11	0145-900046	#4 Tin Plated Lugs - #10 Stud Solderable	EA
1-11	0145-400015	Rocker Switch & HDRelay Kit 50 Amp12 V c/w 1/4" Ring Term & Insulators	EACH
12	0145-120015	T - Wire #6 Duplex	FT
14	0145-200005	7/8 " - Diameter x 1/2" Wire Clamp - Vinyl Dipped	EACH
15	0125-001002	7" x 50# - Nylon Cable Tie - Cold Weather - Black UV (ACT Only)	EACH
16	0145-900045	#4 Tin Plated Lugs - 1/4" Stud -Solderable	EA
17	0145-400007	3/8" Wire Clip	EACH

