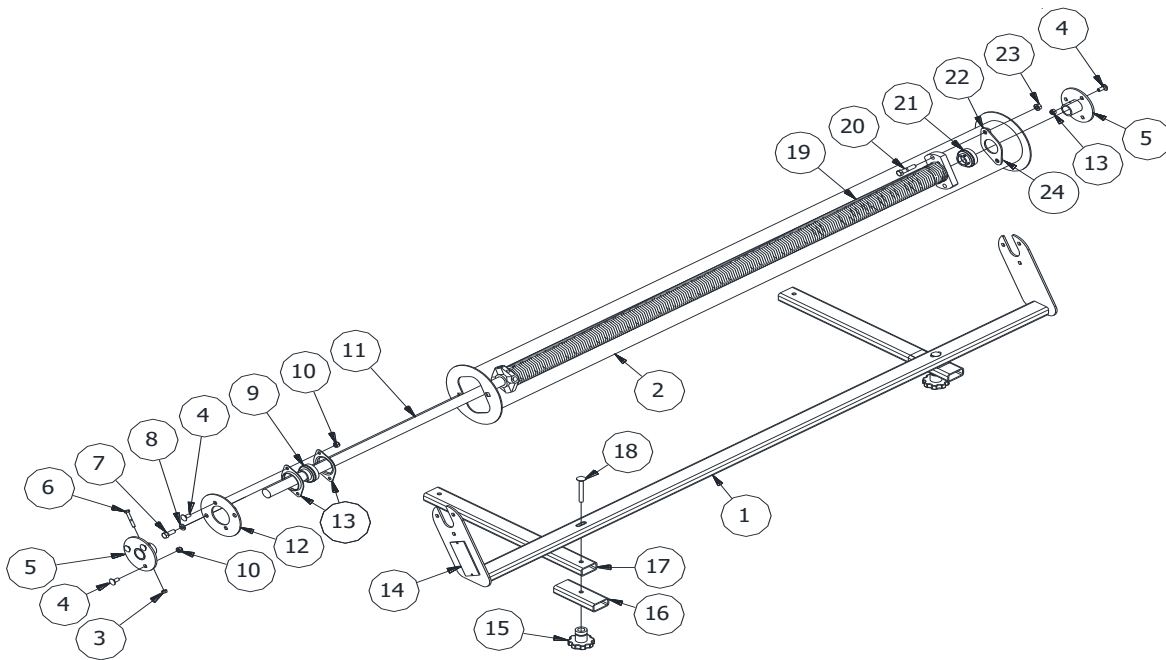


HP-JDS567STSBT - JOHN DEERE BIG TOP FRONT ROLLTUBE ASSEMBLY

**For Model's: 9560, 9570, 9650, 9660, 9670, 9750, 9760, 9770, 9860, 9870 STS Big Top Extension
W/Wo Tip Up (Factory Extension Removed)**

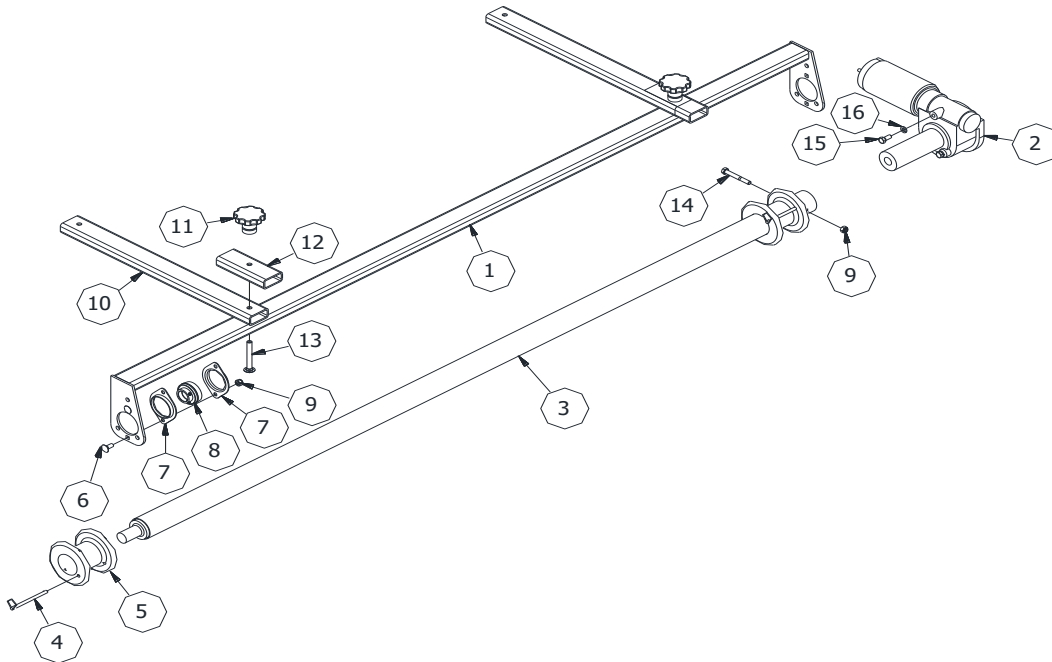
REF	PART #	DESCRIPTION	QTY
1	0007-001001	Front Roll Tube Mounting Bracket - 72"	EA
2	0007-000102	Front Aluminum JD Rolltube ONLY	EACH
3	0100-001100	1/4"-20 GR2 - Nylock Lock Nut - ZINC	EACH
4	0105-009101	5/16"-18 x 3/4" GR2 - Carriage Bolt - Full Thread - ZINC	EACH
5	0007-000001	Front Rolltube Mount	EACH
6	0105-000006	1/4"-20 x 1-3/4" GR5 - Hex Cap Screw - ZINC	EACH
7	0105-000202	3/8"-16 x 1" GR5 - Hex Cap Screw - Full Thread - ZINC	EACH
8	0101-001202	3/8" - Lock Washer - Plated	EACH
9	0115-000008	T - UC205-16ECC Self Aligning Bearing Black Oxide	EACH
10	0100-001101	5/16"-18 GR2 - Nylock Lock Nut - ZINC	EACH
11	0007-001002R0	Front Rolltube Shaft - 72"	EA
12	0007-000018	Rolltube - Shaft End Cap	EACH
13	0115-001000	T - 52MM2 Flangettes Pltd (SOLD AS EACH) Tariff# 7326.9085	EACH
14	0114-000008	Serial Number Plates 2" x 4"	EACH
15	0113-400002	3/8" Black Female Knob w/o Cable	EACH
16	0007-001053	1" X 2" Aluminum Spacer - 5"	EA
17	0007-001054	1" X 2" Aluminum Spacer - 20"	EA
18	0105-009210	3/8"-16 x 3" GR2 - Carriage Bolt - Full Thread - ZINC	EACH
19	0007-001010	Torsion Spring Assembly - JD STS Big Top	EACH
20	0105-000205	3/8"-16 x 1-3/4" GR5 - Hex Cap Screw - ZINC	EACH
21	0115-000006	SA205-16 Bearing	EACH
22	0002-040607	Bearing Flange - AF	EACH
23	0100-001302	3/8"-16 GR2 - Serrated Flange Lock Nut - ZINC	EACH
24	0100-001002	3/8"-16 GR2 - Hex Nut - ZINC	EACH



HP-JDS567STSBT - JOHN DEERE REAR ROLLTUBE ASSEMBLY

**For Model's: 9560, 9570, 9650, 9660, 9670, 9750, 9760, 9770, 9860, 9870 STS Big Top Extension
W/Wo Tip Up (Factory Extension Removed)**

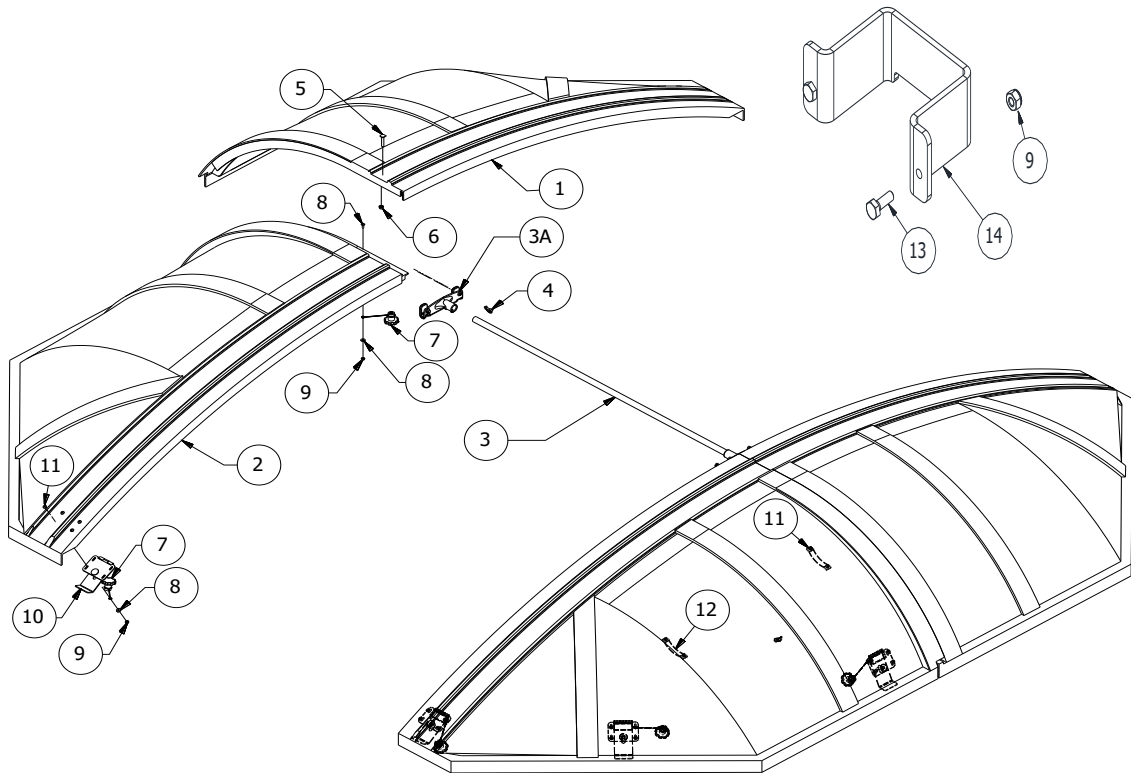
REF	PART #	DESCRIPTION	QTY
1	0007-001052	Rear Roll Tube Bracket	EA
2	0001-092101	12v Super Tork Motor with 2" Motor Shaft & Cover	EACH
3	0007-001051	Rear Roll Tube - 72-1/2"	EA
4	0110-000019	1/4" x 3-1/2" CTRLS HITCHPIN (Pins for Combine Cover Strap Pulleys)	EA
5	0007-000002	Combine Pulley C/W 4 0104-000002 Set Screws	EACH
-	0104-000002	1/4"-20 x 3/8" - Socket Set Screw - Knurled Cup Point - BARE	EACH
6	0105-009101	5/16"-18 x 3/4" GR2 - Carriage Bolt - Full Thread - ZINC	EACH
7	0115-001000	T - 52MM2 Flangettes Pltd (SOLD AS EACH) Tariff# 7326.9085	EACH
8	0115-000008	T - UC205-16ECC Self Aligning Bearing Black Oxide	EACH
9	0100-001101	5/16"-18 GR2 - Nylock Lock Nut - ZINC	EACH
10	0007-001054	1" X 2" Aluminum Spacer - 20"	EA
11	0113-400002	3/8" Black Female Knob w/o Cable	EACH
12	0007-001053	1" X 2" Aluminum Spacer - 5"	EA
13	0105-009210	3/8"-16 x 3" GR2 - Carriage Bolt - Full Thread - ZINC	EACH
14	0105-000108	5/16"-18 x 2-1/2" GR5 - Hex Cap Screw - ZINC	EACH
15	0105-000101	5/16"-18 x 3/4" GR5 - Hex Cap Screw - Full Thread - ZINC	EACH
16	0101-001201	5/16" - Split Lock Washer - ZINC	EACH
17	0007-001050	C - JD 567 ***BIG TOP*** Rear Roll Tube Complete Assembly	EA



HP-JDS567STSBT - JOHN DEERE STS BIG TOP HOOD ASSEMBLY

**For Model's: 9560, 9570, 9650, 9660, 9670, 9750, 9760, 9770, 9860, 9870 STS Big Top Extension
W/Wo Tip Up (Factory Extension Removed)**

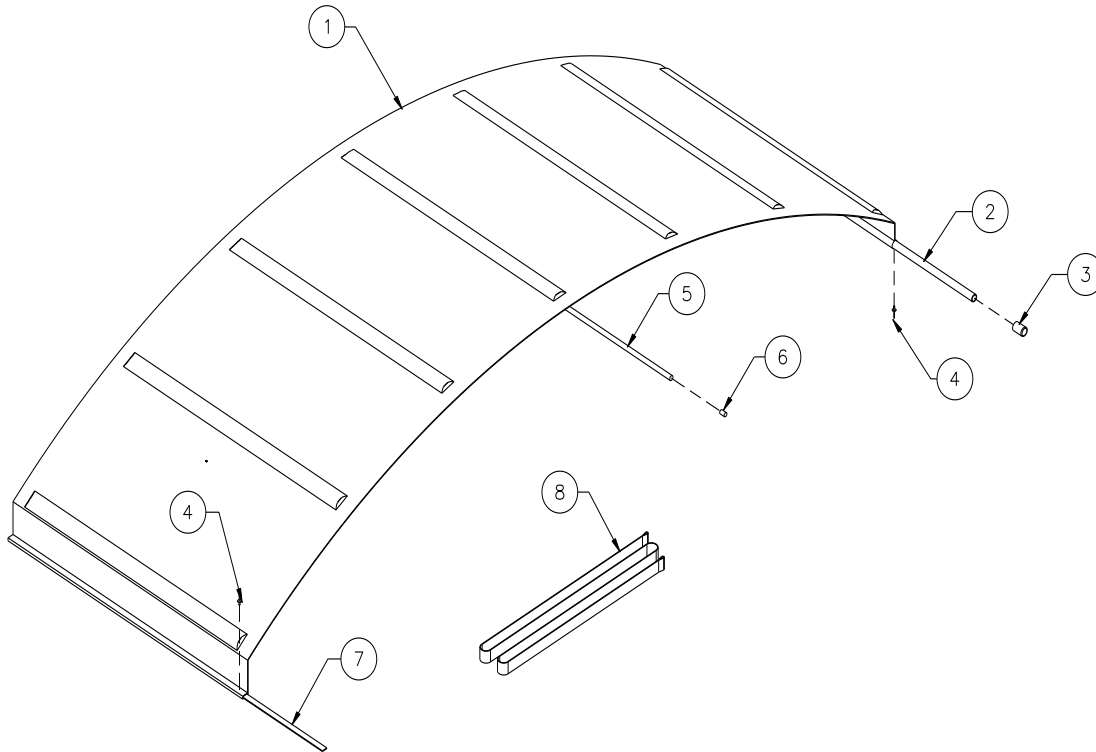
REF	PART #	DESCRIPTION	QTY
1	0113-400014	JD Maurer Combine Hood -LIP- Decal/Writing YELLOW	EA
2	0113-400013	JD Maurer Combine Hood -Trough - No Decal/writing- YELLOW	EA
3	0007-000171	C - Middle Support Bracket - JD C/W Plastic Ends	EACH
3A	0113-400019	Middle Support Bracket End - Combine- Black c/w Inserts	EA
4	0110-000018	Quick Pin 1/4"x1-3/4-Rnd Loop PLTD	EACH
5	0105-009208	3/8" x 2-1/4" GR2 - Carriage Bolt - Full Thread	EACH
6	0100-001302	3/8"-16 GR2 - Serrated Flange Lock Nut - ZINC	EACH
7	0007-000013	3/8" Plastic Knob - Long c/w Cable	EACH
8	0101-001000	1/4" USS - Flat Washer - ZINC	EACH
9	0100-001100	1/4"-20 GR2 - Nylock Lock Nut - ZINC	EACH
10	0007-000772	Hood Latch 1-3/4" - Massey 95 - 350 bu	EA
11	0105-007003	1/4"-20 x 1" - Truss Head Machine Screw - ZINC	EACH
12	0007-000014	Strap Handle - HP Hood	EACH
13	0105-000002	1/4"-20 x 3/4" GR5 - Hex Cap Screw - Full Thread - ZINC	EACH
14	0007-001055	JD STS Big Top Latch Bracket	EA



HP-JDS567STSBT - JOHN DEERE STS BIG TOP TARP ASSEMBLY

**For Model's: 9560, 9570, 9650, 9660, 9670, 9750, 9760, 9770, 9860, 9870 STS Big Top Extension
W/Wo Tip Up (Factory Extension Removed)**

REF	PART #	DESCRIPTION	QTY
1	0007-001080	JD STS Big Top Tarp - 19oz Yellow	EA
2	0007-001081	JD STS Big Top Rear Pull Pipe - 67-1/2" C/W 2 0113-000020 Pipe Caps	EA
3	0113-000020	1" - Crank Handle Plug - Ribbed - 10-14 GA	EACH
4	0103-000009	3/16"x 3/16" - 1/4" Grip - Pop Rivet - Steel/Steel Button Head (Sewing	EACH
5	0007-001082	JD STS Big Top Tarp Support Pipe - 57" C/W 2 0113-4000006 11/16" Center Cap	EA
6	0113-400006	.S Caps-0.687-1.5-0.060-701- RED	EACH
7	0113-001000	Fiberglass Flat / FT.	FT.
8	0007-000683	Maurer Pull Straps - 183" FM	EA
9	0106-000011	#10-24 x 3/4" - Wafer Head - Square - Self Drilling Screw - ZINC	EACH
10	0113-000036B	T - Retainer Clip - Small- Screws sold seperate	EACH



HP-JDS567STSBT - JOHN DEERE STS BIG TOP ELECTRIC ASSEMBLY

**For Model's: 9560, 9570, 9650, 9660, 9670, 9750, 9760, 9770, 9860, 9870 STS Big Top Extension
W/Wo Tip Up (Factory Extension Removed)**

REF	PART #	DESCRIPTION	QTY
1	0145-400002	T - Rocker Switch only - (25 , 40 or 50 Amp)	EACH
2	0105-000003	1/4"-20 x 1" GR5 - Hex Cap Screw - Full Thread - ZINC	EACH
3	0100-001100	1/4"-20 GR2 - Nylock Lock Nut - ZINC	EACH
4	0145-100049	16-14 GA Female Quick Disconnect Insulated Tab Size .25"	Ea.
5	0145-900023	Ring Terminal Nylon- 16-14 GA Stud Size 1/4"	EA
6	0145-100007	T - 14-3/C Switch Wire	FT
7	0145-400021	CT - Heavy Duty 12 Volt DC ContactorC/Wwire End, Nuts & Wiring Diag & 4 Insulato	EACH
9	0145-900044	#4 Tin Plated Lugs - 3/8" Stud - solderable	EA
10	0145-910112	T, C - Hi Amp Auto Reset 50 amp Circuit Breaker- Surface Mount - c/w Wire Ends	EA
11	0145-900046	#4 Tin Plated Lugs - #10 Stud Solderable	EA
1-11	0145-400015	Rocker Switch & HDRelay Kit 50 Amp12 V c/w 1/4" Ring Term & Insulators	EACH
12	0145-120015	T - Wire #6 Duplex	FT
14	0145-200005	7/8" - Diameter x 1/2" Wire Clamp - Vinyl Dipped	EACH
15	0125-001002	7" x 50# - Nylon Cable Tie - Cold Weather - Black UV (ACT Only)	EACH
16	0145-900045	#4 Tin Plated Lugs - 1/4" Stud -Solderable	EA
17	0145-400007	3/8" Wire Clip	EACH

