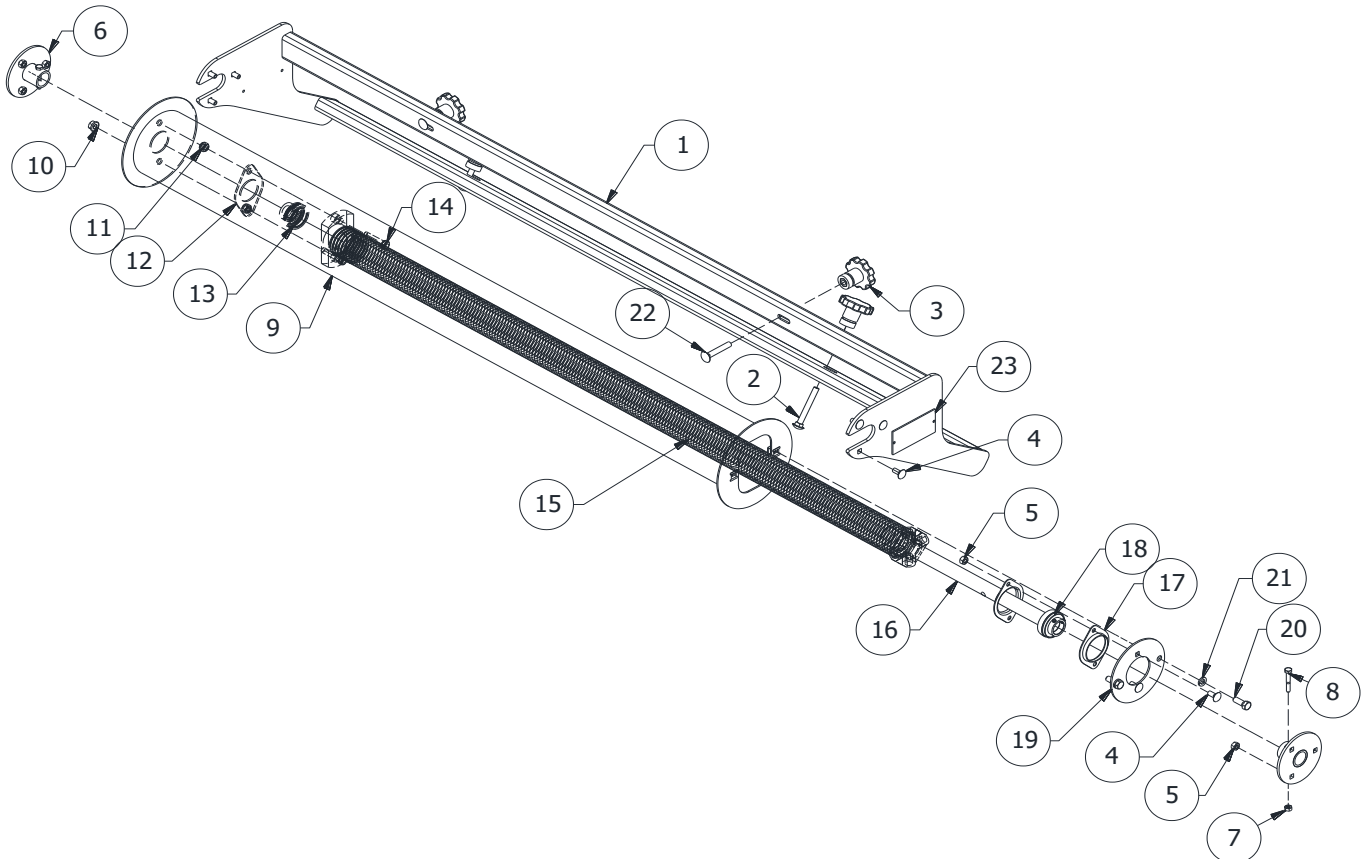


HP-JDS60-70M-BT - JOHN DEERE BIG TOP FRONT ROLLTUBE ASSEMBLY

For Model's: S660, S670, S760, & S770 With Big Top Manual Extension on Manual

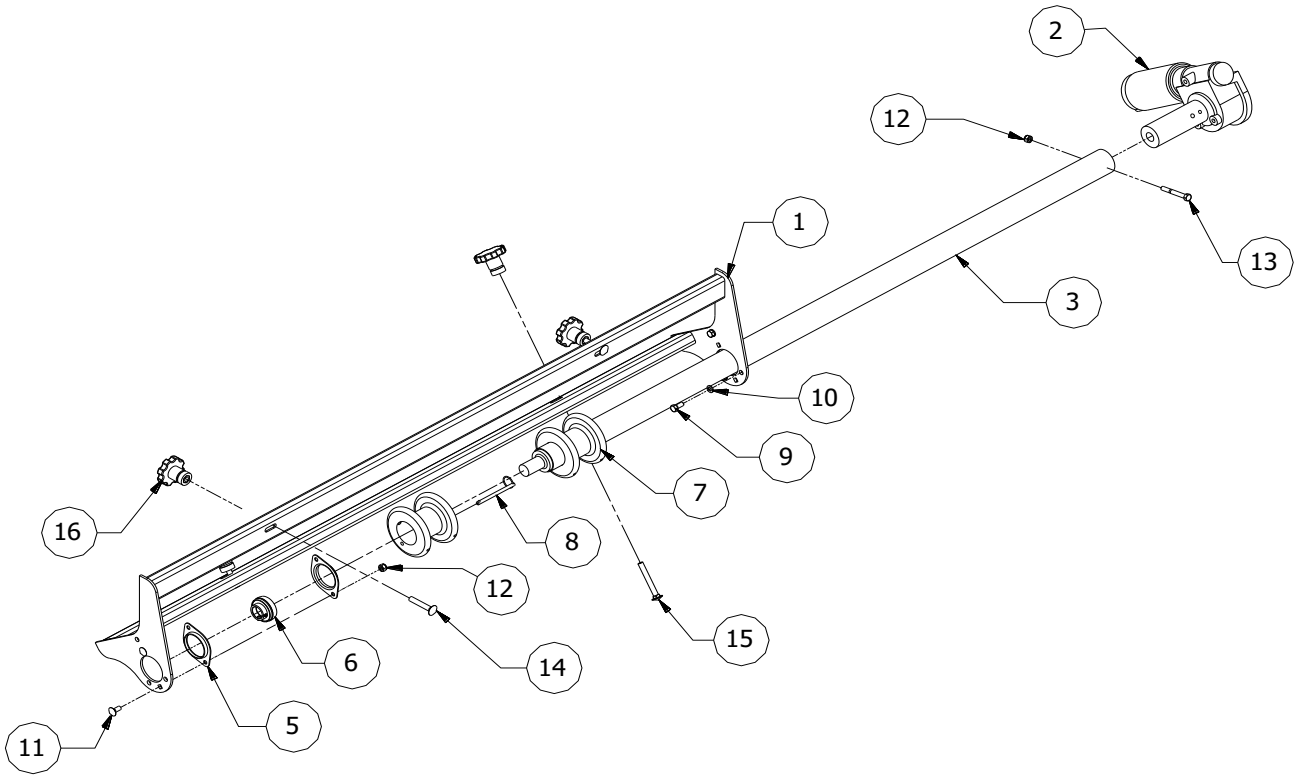
REF	PART #	DESCRIPTION	QTY
1	0007-000501	JD Big Top Front Rolltube Bracket	EACH
2	0105-009210	3/8"-16 x 3" GR2 - Carriage Bolt - Full Thread - ZINC	EACH
3	0113-400002	3/8" Black Female Knob w/o Cable	EACH
4	0105-009101	5/16"-18 x 3/4" GR2 - Carriage Bolt - Full Thread - ZINC	EACH
5	0100-001101	5/16"-18 GR2 - Nylock Lock Nut - ZINC	EACH
6	0007-000001	Front Rolltube Mount	EACH
7	0100-001100	1/4"-20 GR2 - Nylock Lock Nut - ZINC	EACH
8	0105-000006	1/4"-20 x 1-3/4" GR5 - Hex Cap Screw - ZINC	EACH
9	0007-000102	Front Aluminum JD Rolltube ONLY	EACH
10	0100-001302	3/8"-16 GR2 - Serrated Flange Lock Nut - ZINC	EACH
11	0100-001002	3/8"-16 GR2 - Hex Nut - ZINC	EACH
12	0002-040607	Bearing Flange - AF	EACH
13	0115-000006	SA205-16 Bearing	EACH
14	0105-000205	3/8"-16 x 1-3/4" GR5 - Hex Cap Screw - ZINC	EACH
15	0007-000103	Torsion Spring Assembly - JD C/W Instructions	EACH
16	0007-000104	1" Aluminum Shaft - 62	EACH
17	0115-001000	T - 52MM2 Flangettes Pltd (SOLD AS EACH) Tariff# 7326.9085	EACH
18	0115-000008	T - UC205-16ECC Self Aligning Bearing Black Oxide	EACH
19	0007-000018	Rolltube - Shaft End Cap	EACH
20	0105-000202	3/8"-16 x 1" GR5 - Hex Cap Screw - Full Thread - ZINC	EACH
21	0101-001202	3/8" - Lock Washer - Plated	EACH
22	0105-009208	3/8" x 2-1/4" GR2 - Carriage Bolt - Full Thread	EACH
23	0114-000008	Serial Number Plates 2" x 4"	EACH



HP-JDS60-70M-BT - JOHN DEERE REAR ROLLTUBE ASSEMBLY

For Model's: S660, S670, S760, & S770 With Big Top Manual Extension on Manual

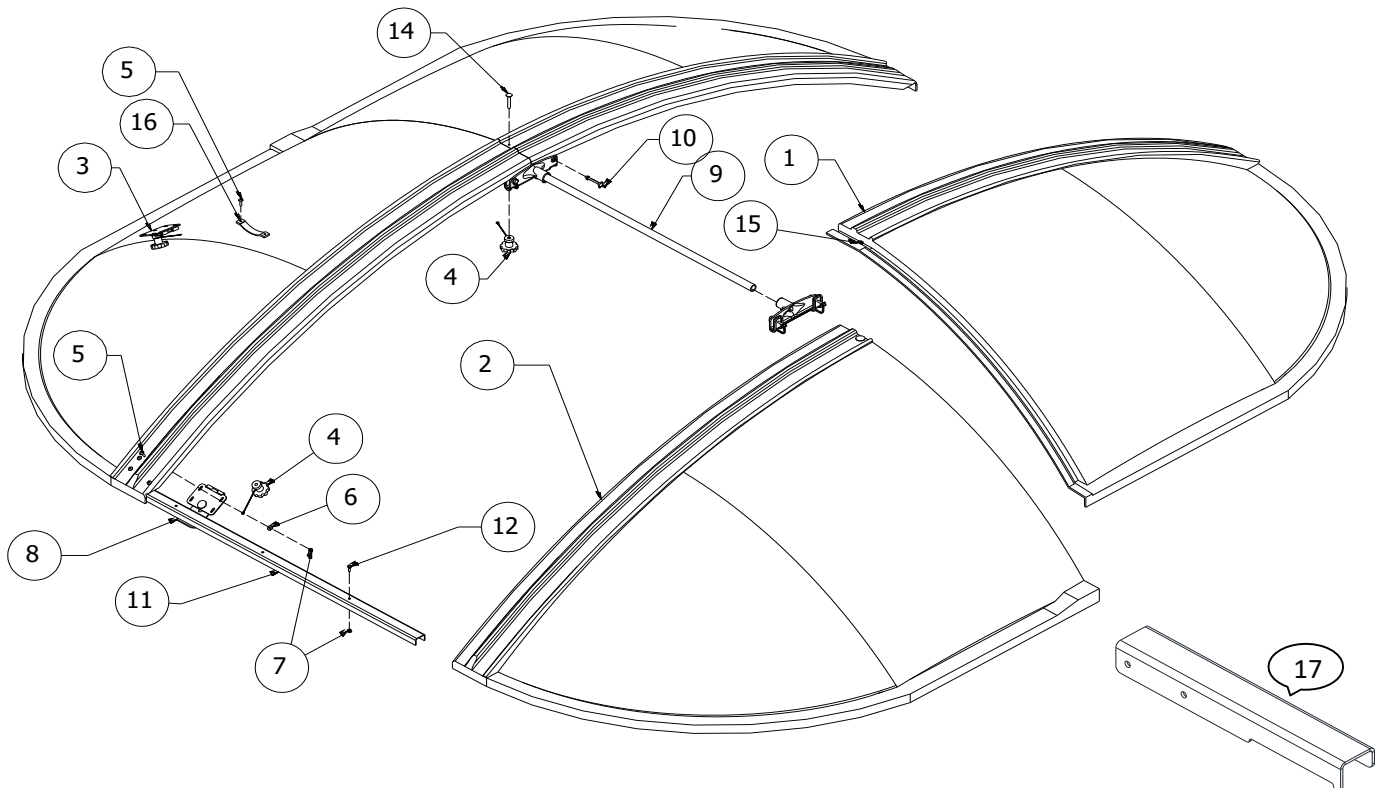
REF	PART #	DESCRIPTION	QTY
1	0007-000551	JD Big Top Rear Rolltube Bracket	EACH
2	0001-092101	12v Super Tork Motor with 2" Motor Shaft & Cover	EACH
3	0007-000252	Rear CNH Rolltube	EACH
5	0115-001000	T - 52MM2 Flangettes Pltd (SOLD AS EACH) Tariff# 7326.9085	EACH
6	0115-000008	T - UC205-16ECC Self Aligning Bearing Black Oxide	EACH
7	0007-000002	Combine Pulley C/W 4 0104-000002 Set Screws	EACH
8	0110-000019	1/4" x 3-1/2" CTRLS HITCHPIN (Pins for Combine Cover Strap Pulleys)	EA
9	0105-000101	5/16"-18 x 3/4" GR5 - Hex Cap Screw - Full Thread - ZINC	EACH
10	0101-001201	5/16" - Split Lock Washer - ZINC	EACH
11	0105-009101	5/16"-18 x 3/4" GR2 - Carriage Bolt - Full Thread - ZINC	EACH
12	0100-001101	5/16"-18 GR2 - Nylock Lock Nut - ZINC	EACH
13	0105-000108	5/16"-18 x 2-1/2" GR5 - Hex Cap Screw - ZINC	EACH
14	0105-009208	3/8" x 2-1/4" GR2 - Carriage Bolt - Full Thread	EACH
15	0105-009211	3/8" x 3-1/4" - Carriage Bolt	EACH
16	0113-400002	3/8" Black Female Knob w/o Cable	EACH
1 to 16	0007-000550	C - JD ***Big Top*** Rear Rolltube Assembly	EA



HP-JDS60-70M-BT - JOHN DEERE BIG TOP HOOD ASSEMBLY

For Model's: S660, S670, S760, & S770 With Big Top Manual Extension on Manual

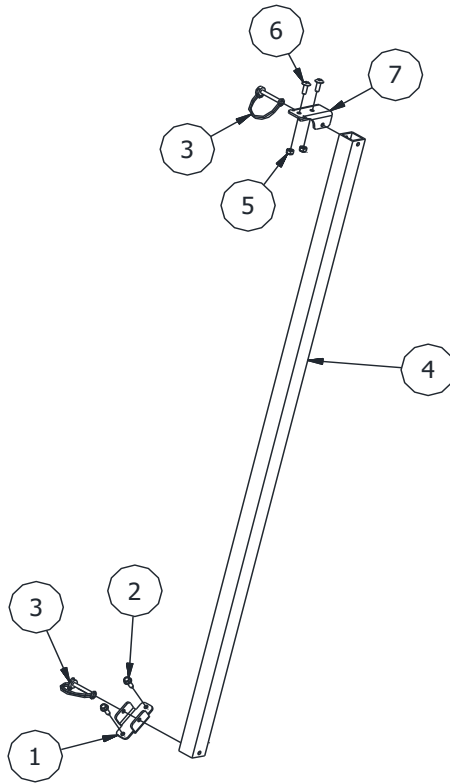
REF	PART #	DESCRIPTION	QTY
1	0113-400003G	JD Hood- 60/70 STS-Series & S670/S660 - Trough - No Decal -GREEN	EACH
	0113-400003Y	JD Hood - 60/70 STS-Series & S670/S660 Trough - No Decal YELLOW	EACH
2	0113-400004G	JD Combine Hood - 60/70 STS-Series & S670/S660 - Lip - c/w Decal GREEN	EACH
	0113-400004Y	JD Combine Hood - 60/70 STS-Series & S670/S660 - Lip - c/w Decal YELLOW	EACH
3	0007-000571	Hood Latch - JD Big Top	EACH
4	0007-000013	3/8" Plastic Knob - Long c/w Cable	EACH
5	0105-007003	1/4"-20 x 1" - Truss Head Machine Screw - ZINC	EACH
6	0101-001000	1/4" USS - Flat Washer - ZINC	EACH
7	0100-001100	1/4"-20 GR2 - Nylock Lock Nut - ZINC	EACH
8	0007-000012	Hood Clamp - 1-3/4" ZP & Black Powder Coated	EACH
9	0007-000171	C - Middle Support Bracket - JD C/W Plastic Ends	EACH
10	0110-000018	Quick Pin 1/4"x1-3/4-Rnd Loop PLTD	EACH
11	0007-000572	Hood Support Channel - BT	EACH
12	0105-000002	1/4"-20 x 3/4" GR5 - Hex Cap Screw - Full Thread - ZINC	EACH
14	0105-009208	3/8" x 2-1/4" GR2 - Carriage Bolt - Full Thread	EACH
15	0100-001302	3/8"-16 GR2 - Serrated Flange Lock Nut - ZINC	EACH
16	0007-000014	Strap Handle - HP Hood	EACH
17	0007-001262	JD S60-70 Big Top Rear Right Extension U	EA
N/A	0007-000582	Big Top Vinyl Corner - Big - 07 and older	EA
N/A	0007-000583	Big Top Vinyl Corner - Small	EA
N/A	0149-000217	3/4" height x 1" width Foam Tape (12.5 ft/RL)	FT



HOOD SUPPORT BRACKET KIT

REF	PART #	DESCRIPTION	QTY
1	0007-001131	Hood Support Bracket - Bottom	EACH
2	0106-000005	1/4" x 1" - Tek Screw w/ Washer (install lag screw)	EACH
3	0110-000018	Quick Pin 1/4"x1-3/4-Rnd Loop PLTD	EACH
4	0007-001032	JD 60-70STS & S670-60 Hood Support - 1-1/4" Aluminum Tubing x 45" Freeform	EACH
	0007-001037	#N/A	#N/A
5	0100-001100	1/4" x 3/4" - Truss Cap Screw - #3 Robinson	EACH
6	0105-007002	1/4" x 3/4" - Truss Cap Screw - #3 Robinson	EACH
7	0007-001130	Hood Support Bracket - Top	EACH

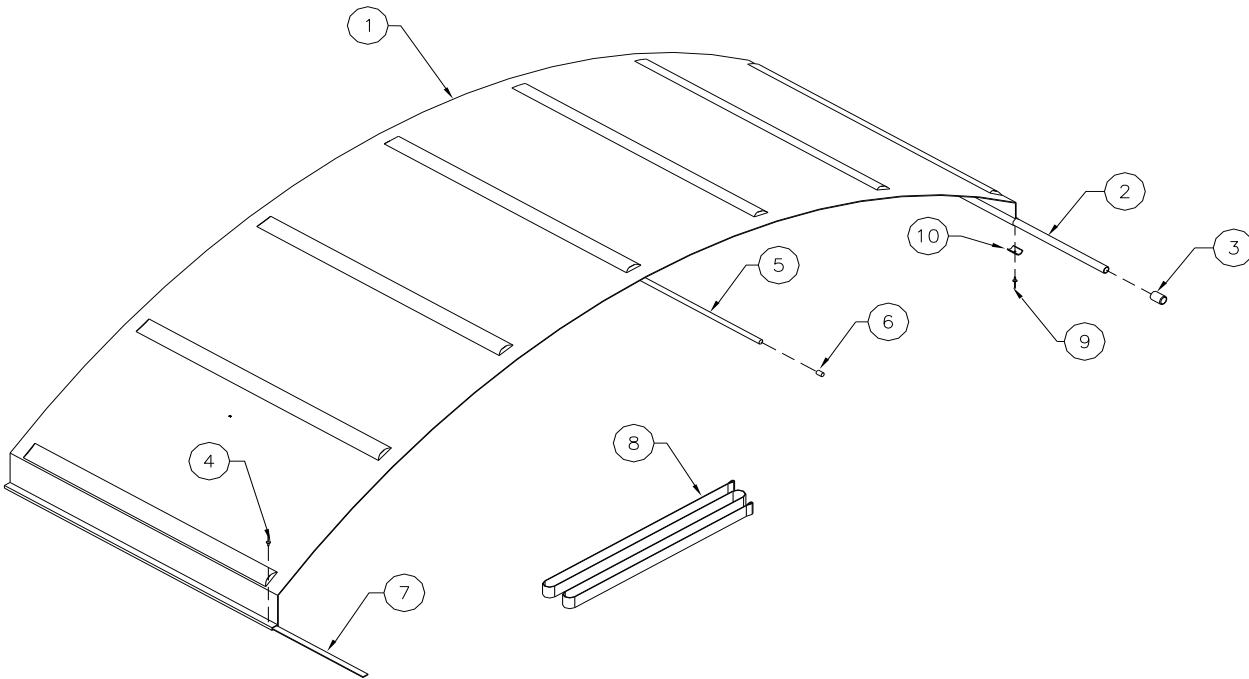
NOTE: 2020 OLDER MODEL COMBINES REQUIRE 2 0007-001032 HOOD SUPPORTS
 2020+ MODEL COMBINES REQUIRE 1 OF 0007-001032 AND 1PC OF 0007-001036 HOOD SUPPORT



HP-JDS60-70M-BT - JOHN DEERE BIG TOP TARP ASSEMBLY

For Model's: S660, S670, S760, & S770 With Big Top Manual Extension on Manual

REF	PART #	DESCRIPTION	QTY
1	0007-000180	C - JD 60 STS HUR Replacement Tarp - C/W- Pop Rivits, Rod Caps	EACH
2	0007-000181	Rear Rienforcement Pipe - JD C/W 2 0113-000020 Pipe Caps	EACH
3	0113-000020	1" - Crank Handle Plug - Ribbed - 10-14 GA	EACH
4	0103-000009	3/16"x 3/16" - 1/4" Grip - Pop Rivet - Steel/Steel Button Head (Sewing	EACH
5	0007-000182	Center Rod Support - JD C/W 2 0113-4000006 11/16" Center Cap	EACH
6	0113-400006	.S Caps-0.687-1.5-0.060-701- RED	EACH
7	0113-001000	Fiberglass Flat / FT.	FT.
8	0007-000581	Pull Straps - JD Big Top - 178"	EA
9	0106-000011	#10-24 x 3/4" - Wafer Head - Square - Self Drilling Screw - ZINC	EACH
10	0113-000036B	T - Retainer Clip - Small- Screws sold separte	EACH
N/A	0007-000582	Big Top Vinyl Corner - Big - 07 and older	EA
N/A	0007-000583	Big Top Vinyl Corner - Small	EA
N/A	0149-000217	3/4" height x 1" width Foam Tape (12.5 ft/RL)	FT



HP-JDS60-70M-BT - JOHN DEERE BIG TOP ELECTRIC ASSEMBLY

For Model's: S660, S670, S760, & S770 With Big Top Manual Extension on Manual

REF	PART #	DESCRIPTION	QTY
1	0145-400002	T - Rocker Switch only - (25 , 40 or 50 Amp)	EACH
2	0105-000003	1/4"-20 x 1" GR5 - Hex Cap Screw - Full Thread - ZINC	EACH
3	0100-001100	1/4"-20 GR2 - Nylock Lock Nut - ZINC	EACH
4	0145-100049	16-14 GA Female Quick Disconnect Insulated Tab Size .25"	Ea.
5	0145-900023	Ring Terminal Nylon- 16-14 GA Stud Size 1/4"	EA
6	0145-100007	T - 14-3/C Switch Wire	FT
7	0145-400021	CT - Heavy Duty 12 Volt DC ContactorC/Wwire End, Nuts & Wiring Diag & 4 Insulato	EACH
9	0145-900044	#4 Tin Plated Lugs - 3/8" Stud - solderable	EA
10	0145-910112	T, C - Hi Amp Auto Reset 50 amp Circuit Breaker- Surface Mount - c/w Wire Ends	EA
11	0145-900046	#4 Tin Plated Lugs - #10 Stud Solderable	EA
1-11	0145-400015	Rocker Switch & HDRelay Kit 50 Amp12 V c/w 1/4" Ring Term & Insulators	EACH
12	0145-120015	T - Wire #6 Duplex	FT
14	0145-200005	7/8 " - Diameter x 1/2" Wire Clamp - Vinyl Dipped	EACH
15	0125-001002	7" x 50# - Nylon Cable Tie - Cold Weather - Black UV (ACT Only)	EACH
16	0145-900045	#4 Tin Plated Lugs - 1/4" Stud -Solderable	EA
17	0145-400007	3/8" Wire Clip	EACH

