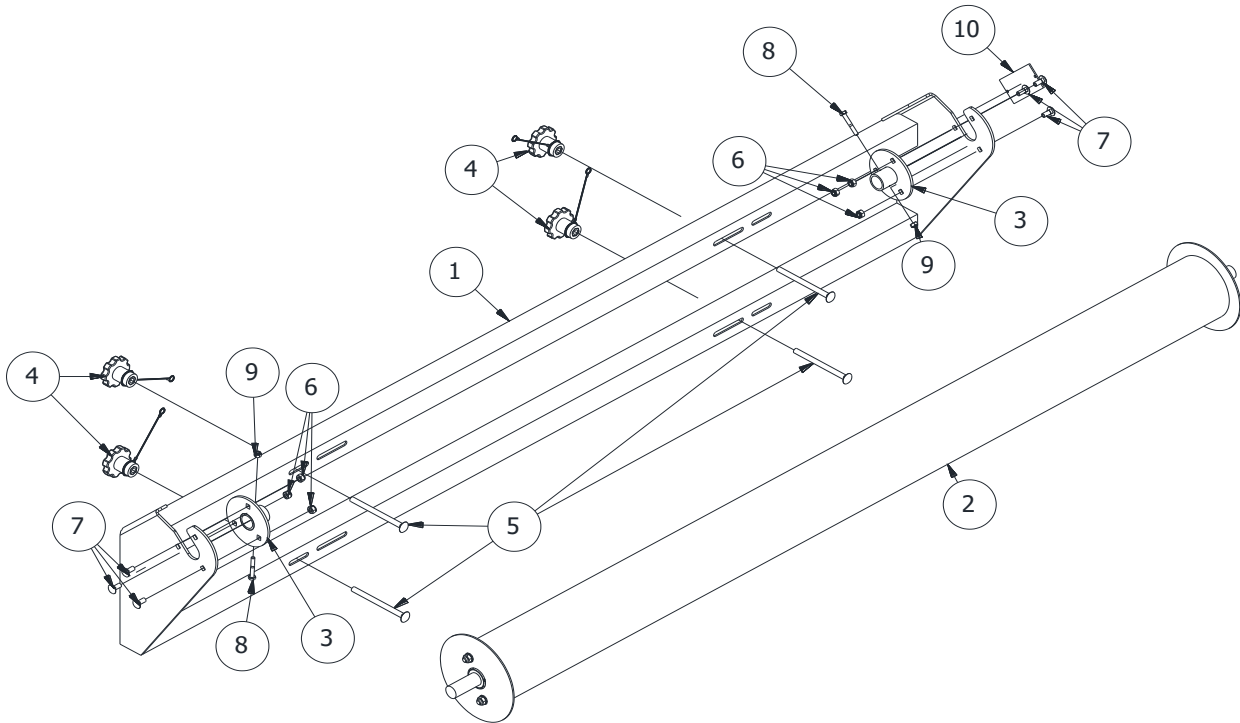


**HP-NHCR2014-8090-9090 - NEW HOLLAND CR8090 & CR9090 FRONT ASSEMBLY**

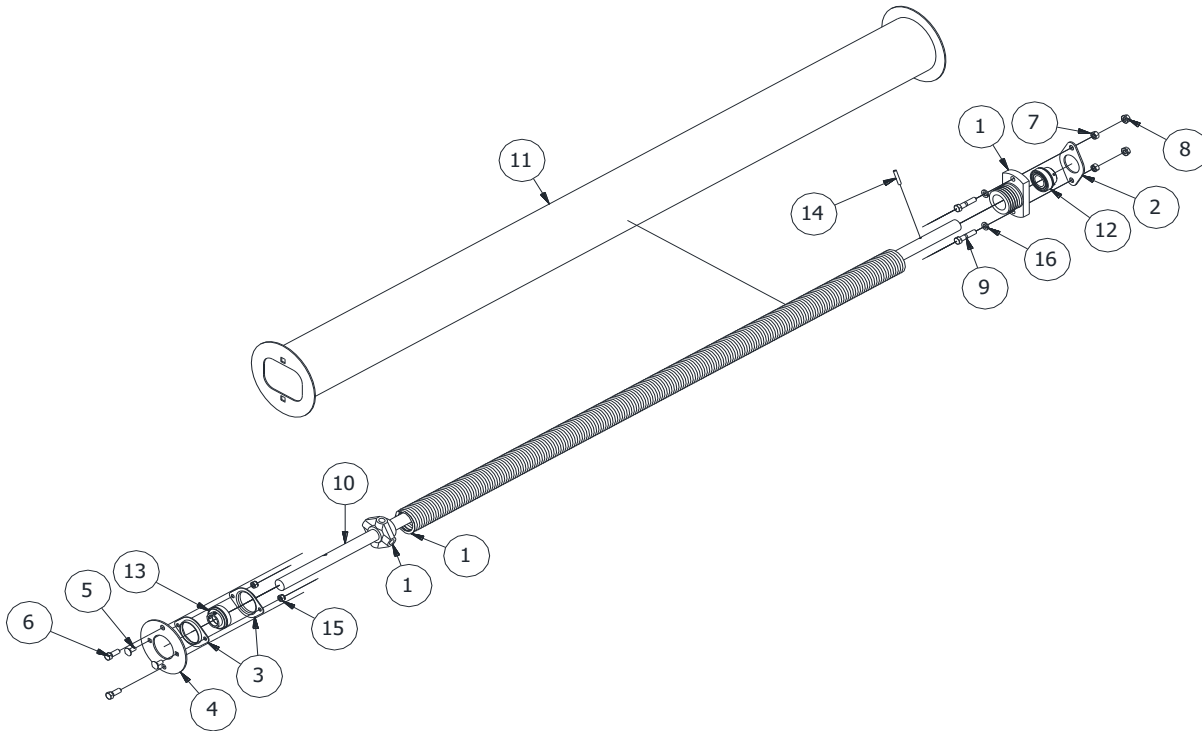
**For Model's: CR8090, CR9090, CR8.90, CR9.90, & CR10.90 with 410 Bushel Grain Tank**

REF	PART #	DESCRIPTION	QTY
1	0007-001301	NH9090 & Cas 8240 Front Rolltube Mounting Bracket Assembly	EACH
2	0007-001308	NH9090 & Case 8240 Front Rolltube Assembly c/w shaft & Spring	EACH
3	0007-000001	Front Rolltube Mount	EACH
4	0113-400002	3/8" Black Female Knob w/o Cable	EACH
5	0105-009221	3/8-16x5 J429 GR 8 Carriage Bolt Full Thread Zinc Clear Trivalent	EACH
6	0100-001101	5/16"-18 GR2 - Nylock Lock Nut - ZINC	EACH
7	0105-009101	5/16"-18 x 3/4" GR2 - Carriage Bolt - Full Thread - ZINC	EACH
8	0105-000006	1/4"-20 x 1-3/4" GR5 - Hex Cap Screw - ZINC	EACH
9	0100-001100	1/4"-20 GR2 - Nylock Lock Nut - ZINC	EACH
10	0114-000008	Serial Number Plates 2" x 4"	EACH
1-10	0007-001300	C - NH9090 & Case 8240 Front Roll Tube Assembly Less Tarp	EACH



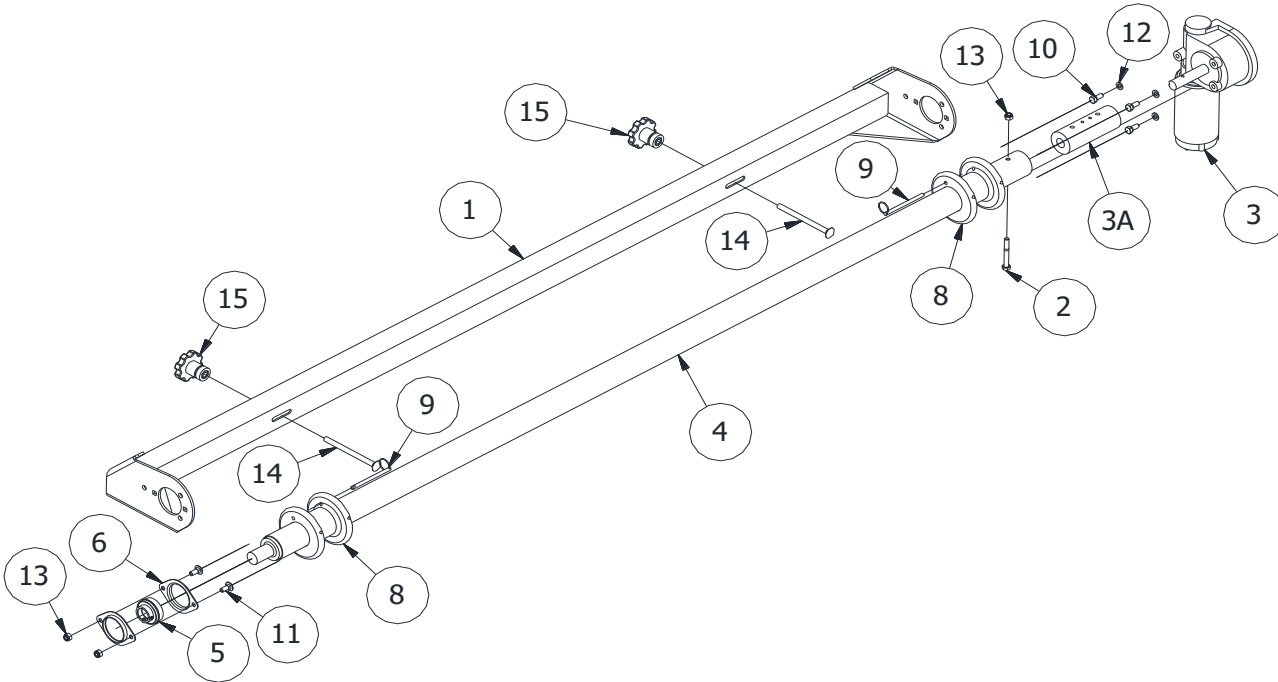
**HP-NHCR2014-8090-9090 - NEW HOLLAND CR8090 & CR9090 FRONT ROLLTUBE ASSEMBLY**  
**For Model's: CR8090, CR9090, CR8.90, CR9.90, & CR10.90 with 410 Bushel Grain Tank**

REF	PART #	DESCRIPTION	QTY
1	0007-001010	Torsion Spring Assembly - JD STS Big Top	EACH
2	0002-040607	Bearing Flange - AF	EACH
3	0115-001000	T - 52MM2 Flangettes Pltd (SOLD AS EACH) Tariff# 7326.9085	EACH
4	0007-000018	Rolltube - Shaft End Cap	EACH
5	0105-009101	5/16"-18 x 3/4" GR2 - Carriage Bolt - Full Thread - ZINC	EACH
6	0105-000202	3/8"-16 x 1" GR5 - Hex Cap Screw - Full Thread - ZINC	EACH
7	0100-001002	3/8"-16 GR2 - Hex Nut - ZINC	EACH
8	0100-001302	3/8"-16 GR2 - Serrated Flange Lock Nut - ZINC	EACH
9	0105-000205	3/8"-16 x 1-3/4" GR5 - Hex Cap Screw - ZINC	EACH
10	0007-001302	NH9090 Front Rolltube Shaft - 75"	EA
11	0007-001308A	NH9090 Front Rolltube Only	EACH
12	0115-000006	SA205-16 Bearing	EACH
13	0115-000008	T - UC205-16ECC Self Aligning Bearing Black Oxide	EACH
14	0110-000006	1/4" x 1-1/4" - Slotted Roll Pin - BARE	EACH



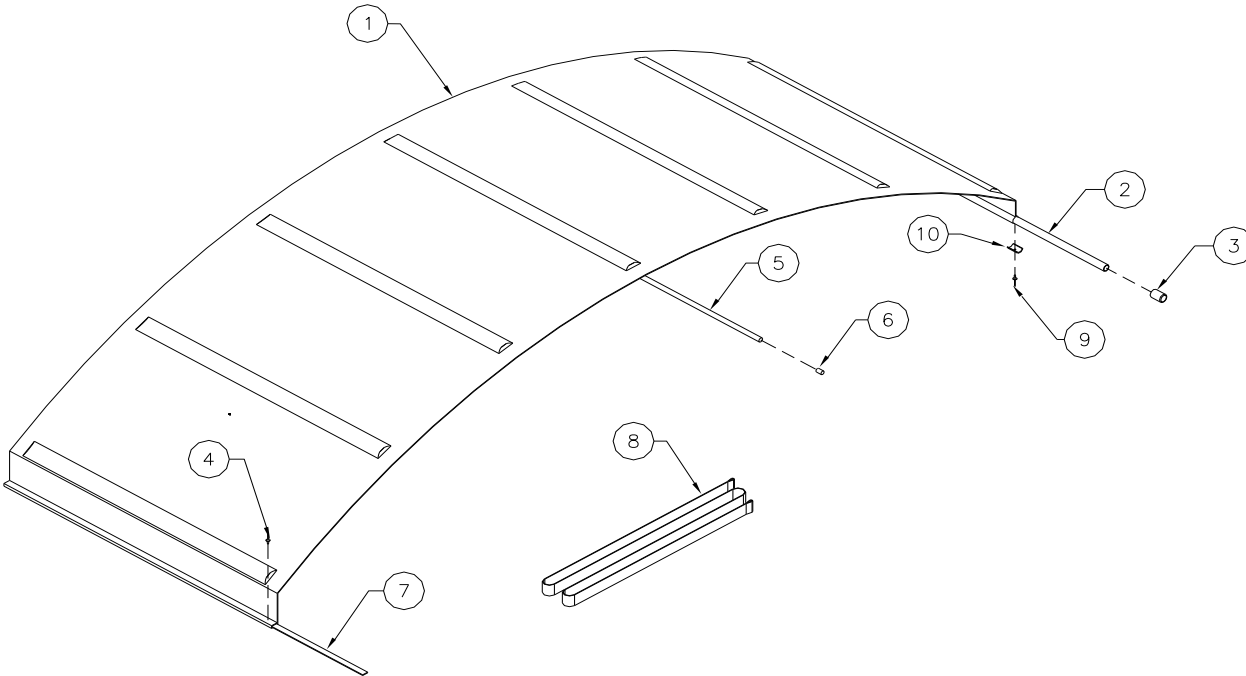
**HP-NHCR2014-8090-9090 - NEW HOLLAND CR8090 & CR9090 REAR ROLLTUBE ASSEMBLY**  
**For Model's: CR8090, CR9090, CR8.90, CR9.90, & CR10.90 with 410 Bushel Grain Tank**

REF	PART #	DESCRIPTION	QTY
1	0007-001352	NH9090 Rear Rolltube Mounting Bracket Weldment	EACH
2	0105-000108	5/16"-18 x 2-1/2" GR5 - Hex Cap Screw - ZINC	EACH
3	0001-092101	12v Super Tork Motor with 2" Motor Shaft & Cover	EACH
3A	0001-092003	CO - Select 2" Motor Shaft c/w Key and Set Screw	EACH
4	0007-001351	NH9090 Rear Rolltube Pipe Weldment	EACH
5	0115-000008	T - UC205-16ECC Self Aligning Bearing Black Oxide	EACH
6	0115-001000	T - 52MM2 Flangettes Pltd (SOLD AS EACH) Tariff# 7326.9085	EACH
8	0007-000002	Combine Pulley C/W 4 0104-000002 Set Screws	EACH
9	0110-000019	1/4" x 3-1/2" CTRLS HITCHPIN (Pins for Combine Cover Strap Pulleys)	EA
10	0105-000101	5/16"-18 x 3/4" GR5 - Hex Cap Screw - Full Thread - ZINC	EACH
11	0105-009101	5/16"-18 x 3/4" GR2 - Carriage Bolt - Full Thread - ZINC	EACH
12	0101-001201	5/16" - Split Lock Washer - ZINC	EACH
13	0100-001101	5/16"-18 GR2 - Nylock Lock Nut - ZINC	EACH
14	0105-009221	3/8-16x5 J429 GR 8 Carriage Bolt Full Thread Zinc Clear Trivalent	EACH
15	0113-400002	3/8" Black Female Knob w/o Cable	EACH
1-15	0007-001350	C - NH9090 Complete Rear Bracket Assembly c/w motor	EACH



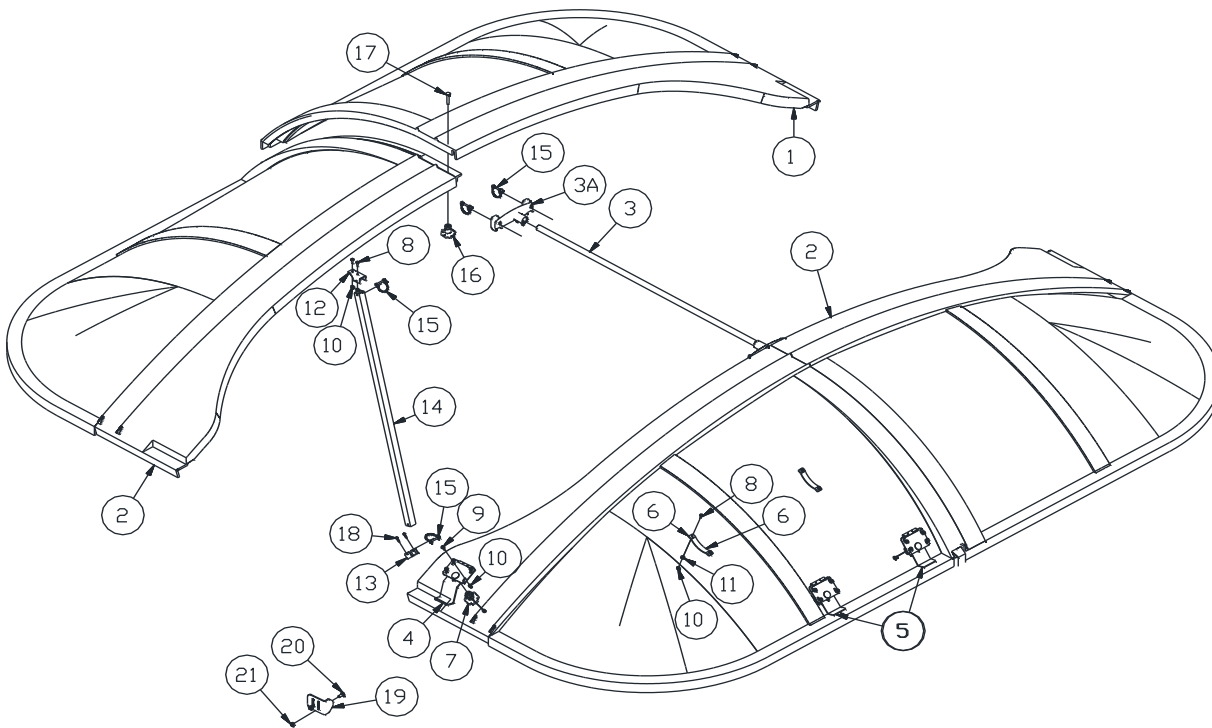
**HP-NHCR2014-8090-9090 - NEW HOLLAND CR8090 & CR9090 TARP ASSEMBLY**  
**For Model's: CR8090, CR9090, CR8.90, CR9.90, & CR10.90 with 410 Bushel Grain Tank**

REF	PART #	DESCRIPTION	QTY
1	0007-001380	NH9090 ReplacementTarp - 19 oz	EACH
2	0007-001381	NH9090 Rear Pull Pipe - 70" C/W 2 0113-000020 Pipe Cap	EACH
3	0113-000020	1" - Crank Handle Plug - Ribbed - 10-14 GA	EACH
4	0103-000009	3/16"x 3/16" - 1/4" Grip - Pop Rivet - Steel/Steel Button Head (Sewing	EACH
5	0007-001382	NH9090 Tarp Support Pipe C/W 2 0113-400006 11/16" Center Rod Cap	EACH
6	0113-400006	.S Caps-0.687-1.5-0.060-701- RED	EACH
7	0113-001000	Fiberglass Flat / FT.	FT.
8	0007-001383	NH9090 Pull Straps - 165" FM	EA
9	0106-000011	#10-24 x 3/4" - Wafer Head - Square - Self Drilling Screw - ZINC	EACH
10	0113-000036B	T - Retainer Clip - Small- Screws sold seperate	EACH



**HP-NHCR2014-8090-9090 - NEW HOLLAND CR8090 & CR9090 HOOD ASSEMBLY**  
**For Model's: CR8090, CR9090, CR8.90, CR9.90, & CR10.90 with 410 Bushel Grain Tank**

REF	PART #	DESCRIPTION	QTY
1	0113-400026	NH 9090 Hood - Lip / No Decal - BLACK	EACH
2	0113-400027	NH 9090 Hood -Trough - Decal - BLACK	EACH
3	0007-001370	C - NH9090 Middle Support Bracket - 52	EACH
3A	0113-400019	Middle Support Bracket End - Combine- Black c/w Inserts	EA
4	0007-001360	Hood Latch - NH9090 (Ends)	EACH
5	0007-000012	Hood Clamp - 1-3/4" ZP & Black Powder Coated	EACH
6	0007-000014	Strap Handle - HP Hood	EACH
7	0007-000013	3/8" Plastic Knob - Long c/w Cable	EACH
8	0105-007002	1/4" x 3/4" - Truss Cap Screw - #3 Robinson	EACH
9	0105-007003	1/4"-20 x 1" - Truss Head Machine Screw - ZINC	EACH
10	0100-001100	1/4"-20 GR2 - Nylock Lock Nut - ZINC	EACH
11	0101-001000	1/4" USS - Flat Washer - ZINC	EACH
12	0007-001130	Hood Support Bracket - Top	EACH
13	0007-001131	Hood Support Bracket - Bottom	EACH
14	0007-001332	NH9090 Hood Support - 1-1/4" Aluminum Tubing x 47"	EACH
15	0110-000018	Quick Pin 1/4"x1-3/4-Rnd Loop PLTD	EACH
16	0007-000013	3/8" Plastic Knob - Long c/w Cable	EACH
17	0105-009208	3/8" x 2-1/4" GR2 - Carriage Bolt - Full Thread	EACH
18	0106-000005	1/4" x 1" - Tek Screw w/ Washer (install lag screw)	EACH
19	0007-000172	Hood Placement Bracket - JD	EACH
20	0105-009215	3/8"-16 x 1" GR5 - Carriage Bolt - Full Thread - ZINC	EACH
21	0100-001102	3/8"-16 GR2 - Nylock Lock Nut - ZINC	EACH



**HP-NHCR2014-8090-9090 - NEW HOLLAND ELECTRIC ASSEMBLY**  
**For Model's: CR8090, CR9090, CR8.90, CR9.90, & CR10.90 with 410 Bushel Grain Tank**

REF	PART #	DESCRIPTION	QTY
1	0145-400002	T - Rocker Switch only - (25 , 40 or 50 Amp)	EACH
2	0105-000003	1/4"-20 x 1" GR5 - Hex Cap Screw - Full Thread - ZINC	EACH
3	0100-001100	1/4"-20 GR2 - Nylock Lock Nut - ZINC	EACH
4	0145-100049	16-14 GA Female Quick Disconnect Insulated Tab Size .25"	Ea.
5	0145-900023	Ring Terminal Nylon- 16-14 GA Stud Size 1/4"	EA
6	0145-100007	T - 14-3/C Switch Wire	FT
7	0145-400021	CT - Heavy Duty 12 Volt DC ContactorC/Wwire End, Nuts & Wiring Diag & 4 Insulato	EACH
9	0145-900044	#4 Tin Plated Lugs - 3/8" Stud - solderable	EA
10	0145-900046	T, C - Hi Amp Auto Reset 50 amp Circuit Breaker- Surface Mount - c/w Wire Ends	EA
11	0145-400015	#4 Tin Plated Lugs - #10 Stud Solderable	EA
1-11	0145-120015	Rocker Switch & HDRelay Kit 50 Amp12 V c/w 1/4" Ring Term & Insulators	EACH
12	0145-200005	T - Wire #6 Duplex	FT
14	0125-001002	7/8 " - Diameter x 1/2" Wire Clamp - Vinyl Dipped	EACH
15	0145-900045	7" x 50# - Nylon Cable Tie - Cold Weather - Black UV (ACT Only)	EACH
16	0145-400007	#4 Tin Plated Lugs - 1/4" Stud -Solderable	EA
17	0	3/8" Wire Clip	EACH

