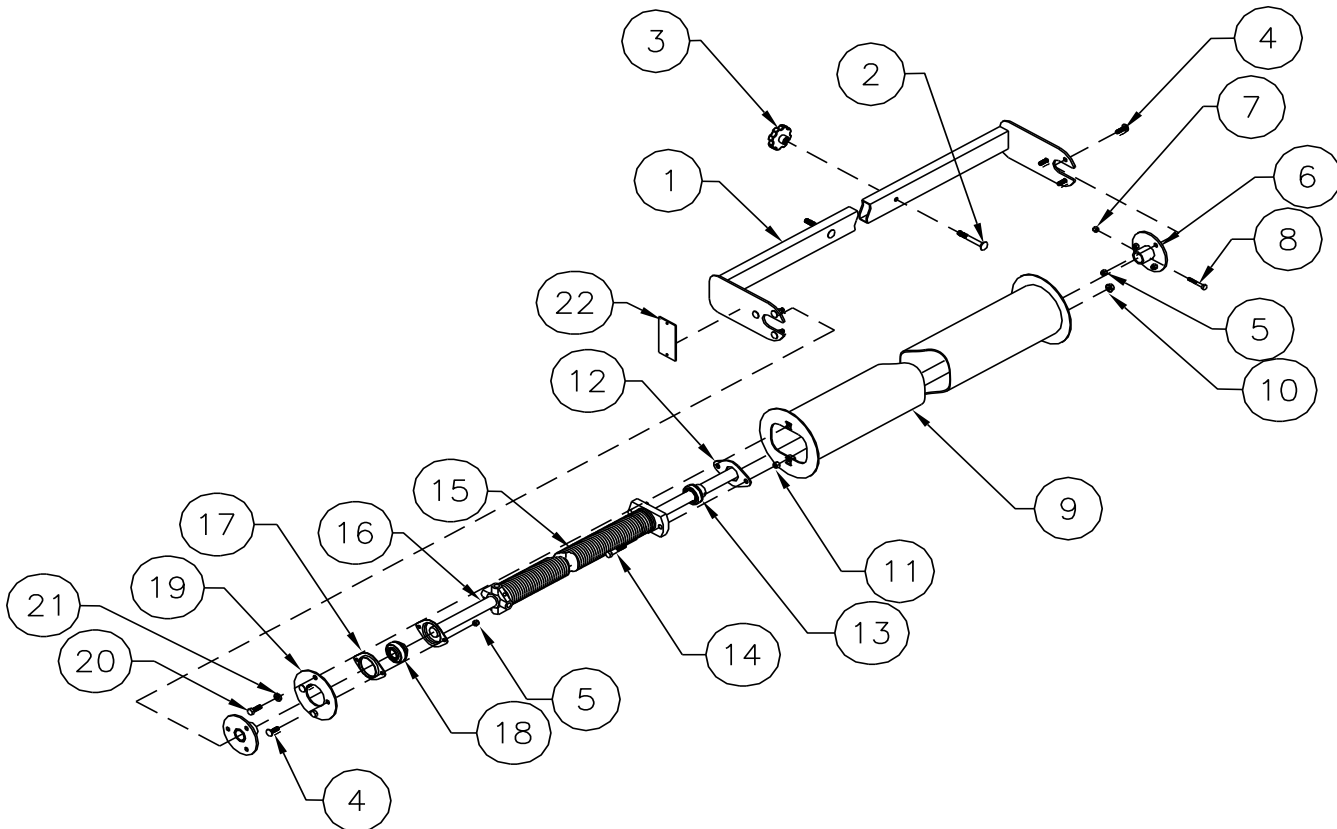


HP-NHCR960-940 - NEW HOLLAND CR970 & CASE 8010 FRONT ROLLTUBE ASSEMBLY

New Holland Model's CR940, CR960, CR970, CR9040, CR9060, CR9070, CR9080, CR8080, CR7090, CR6090, CR9065, CR6.80, CR6.90, CR7.90, CR8.80, & CX8070, ***310 Bushel Grain Tanks***

Case I.H. AFX 7010, 7120, 7230, 7240 ***310 Bushel Grain Tanks***

REF	PART #	DESCRIPTION	QTY
1	0007-000201	Front CNH Mounting Bracket	EACH
2	0105-009211	3/8" x 3-1/4" - Carriage Bolt	EACH
3	0113-400002	3/8" Black Female Knob w/o Cable	EACH
4	0105-009101	5/16"-18 x 3/4" GR2 - Carriage Bolt - Full Thread - ZINC	EACH
5	0100-001101	5/16"-18 GR2 - Nylock Lock Nut - ZINC	EACH
6	0007-000001	Front Rolltube Mount	EACH
7	0100-001100	1/4"-20 GR2 - Nylock Lock Nut - ZINC	EACH
8	0105-000006	1/4"-20 x 1-3/4" GR5 - Hex Cap Screw - ZINC	EACH
9	0007-000202	Front CNH Rolltube ONLY - 63-1/2"	EACH
10	0100-001302	3/8"-16 GR2 - Serrated Flange Lock Nut - ZINC	EACH
11	0100-001002	3/8"-16 GR2 - Hex Nut - ZINC	EACH
12	0002-040607	Bearing Flange - AF	EACH
13	0115-000006	SA205-16 Bearing	EACH
14	0105-000205	3/8"-16 x 1-3/4" GR5 - Hex Cap Screw - ZINC	EACH
15	0007-000205	CNH Torsion Spring Assembly - 58-3/8" C/W Instructions	EA
16	0007-000204	1" Aluminum Shaft - CNH 69-1/2"	EACH
17	0115-001000	T - 52MM2 Flangettes Pltd (SOLD AS EACH) Tariff# 7326.9085	EACH
18	0115-000008	T - UC205-16ECC Self Aligning Bearing Black Oxide	EACH
19	0007-000018	Rolltube - Shaft End Cap	EACH
20	0105-000202	3/8"-16 x 1" GR5 - Hex Cap Screw - Full Thread - ZINC	EACH
21	0101-001202	3/8" - Lock Washer - Plated	EACH
22	0114-000008	Serial Number Plates 2" x 4"	EACH
1-22	0007-000200	C - CNH Front Rolltube Assembly less Tarp	EACH

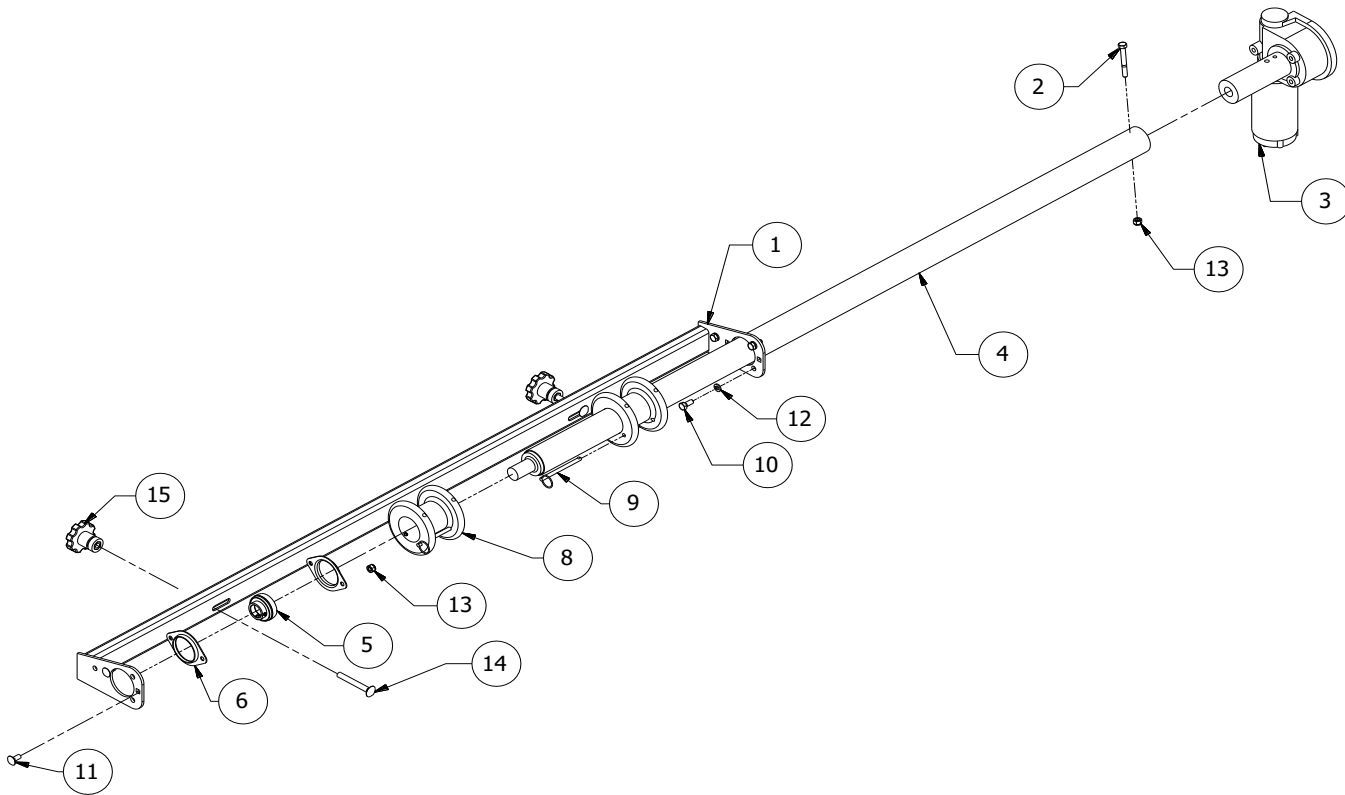


**WITH SERIAL # 2007051 AND UP THE ROLLTUBE ENDS SWITCHED
WHAT WAS PASSNEGER SIDE IS NOW DRIVER SIDE**

HP-NHCR960-940 - NEW HOLLAND CR970 & CASE 8010 REAR ROLLTUBE ASSEMBLY

New Holland Model's CR940, CR960, CR970, CR9040, CR9060, CR9070, CR9080, CR8080, CR7090, CR6090, CR9065, CR6.80, CR6.90, CR7.90, CR8.80, & CX8070, ***310 Bushel Grain Tanks***
 Case I.H. AFX 7010, 7120, 7230, 7240 ***310 Bushel Grain Tanks***

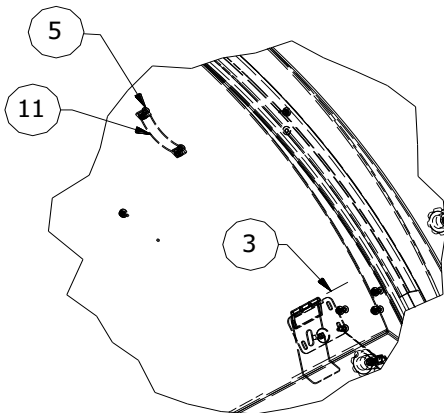
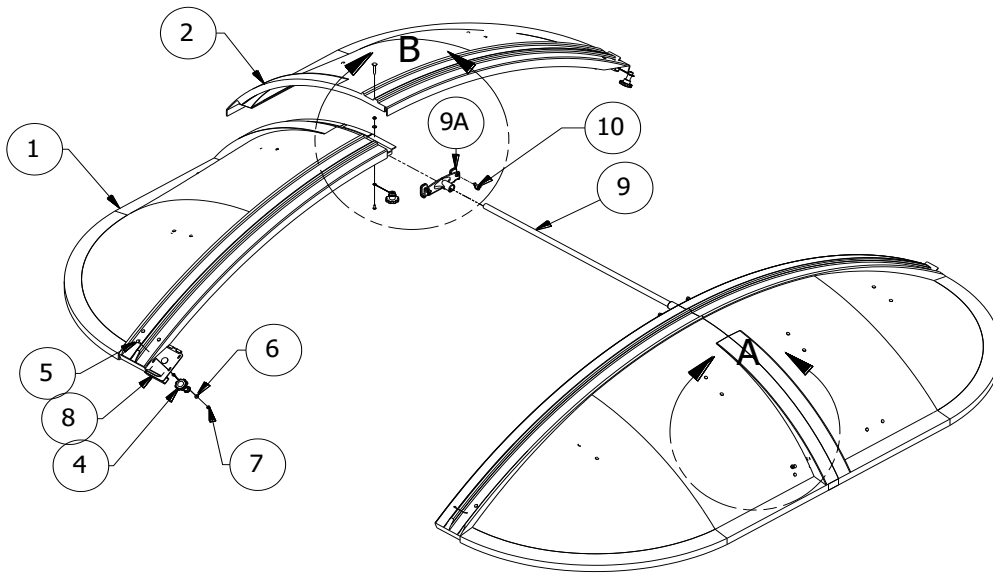
REF	PART #	DESCRIPTION	QTY
1	0007-000251	Rear CNH Rolltube Mounting Bracket	EACH
2	0105-000108	5/16"-18 x 2-1/2" GR5 - Hex Cap Screw - ZINC	EACH
3	0001-092101	12v Super Tork Motor with 2" Motor Shaft & Cover	EACH
4	0007-000252	Rear CNH Rolltube	EACH
5	0115-000008	T - UC205-16ECC Self Aligning Bearing Black Oxide	EACH
6	0115-001000	T - 52MM2 Flangettes Pltd (SOLD AS EACH) Tariff# 7326.9085	EACH
7	0104-000002	1/4"-20 x 3/8" - Socket Set Screw - Knurled Cup Point - BARE	EACH
8	0007-000002	Combine Pulley C/W 4 0104-000002 Set Screws	EACH
9	0110-000019	1/4" x 3-1/2" CTRLS HITCHPIN (Pins for Combine Cover Strap Pulleys)	EA
10	0105-000101	5/16"-18 x 3/4" GR5 - Hex Cap Screw - Full Thread - ZINC	EACH
11	0105-009101	5/16"-18 x 3/4" GR2 - Carriage Bolt - Full Thread - ZINC	EACH
12	0101-001201	5/16" - Split Lock Washer - ZINC	EACH
13	0100-001101	5/16"-18 GR2 - Nylock Lock Nut - ZINC	EACH
14	0105-009211	3/8" x 3-1/4" - Carriage Bolt	EACH
15	0113-400002	3/8" Black Female Knob w/o Cable	EACH
1-15	0007-000250	C - Rear CNH Rolltube Assembly	EACH



HP-NHCR960-940 - NEW HOLLAND CR970 & CASE 8010 HOOD ASSEMBLY

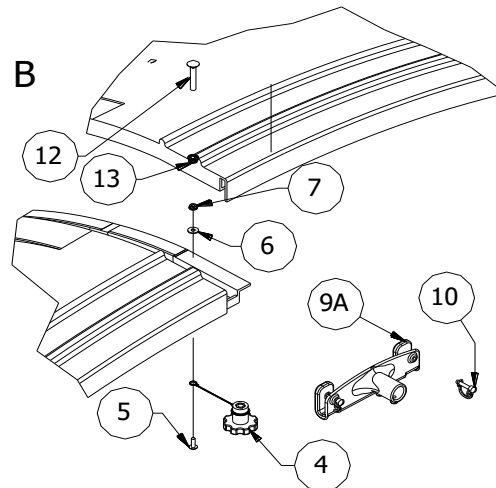
New Holland Model's CR940, CR960, CR970, CR9040, CR9060, CR9070, CR9080, CR8080, CR7090, CR6090, CR9065, CR6.80, CR6.90, CR7.90, CR8.80, & CX8070, ***310 Bushel Grain Tanks***
 Case I.H. AFX 7010, 7120, 7230, 7240 ***310 Bushel Grain Tanks***

REF	PART #	DESCRIPTION	QTY
1	0113-400011	CR960-940 Hood - Trough- BLACK (No Decal)	EACH
2	0113-400010	CR960-940 Hood - Lip c/w Decal -BLACK	EACH
3	0007-000012	Hood Clamp - 1-3/4" ZP & Black Powder Coated	EACH
4	0007-000013	3/8" Plastic Knob - Long c/w Cable	EACH
5	0105-007003	1/4"-20 x 1" - Truss Head Machine Screw - ZINC	EACH
6	0101-001000	1/4" USS - Flat Washer - ZINC	EACH
7	0100-001100	1/4"-20 GR2 - Nylock Lock Nut - ZINC	EACH
8	0007-000015	Hood Clamp - 2-1/2"	EACH
9	0007-000273	C - Middle Support Bracket CR960-940 C/W Plastic Ends	EACH
9A	0113-400019	Middle Support Bracket End - Combine- Black c/w Inserts	EA
10	0110-000018	Quick Pin 1/4"x1-3/4-Rnd Loop PLTD	EACH
11	0007-000014	Strap Handle - HP Hood	EACH
12	0105-009208	3/8" x 2-1/4" GR2 - Carriage Bolt - Full Thread	EACH
13	0100-001302	3/8"-16 GR2 - Serrated Flange Lock Nut - ZINC	EACH



DETAIL A

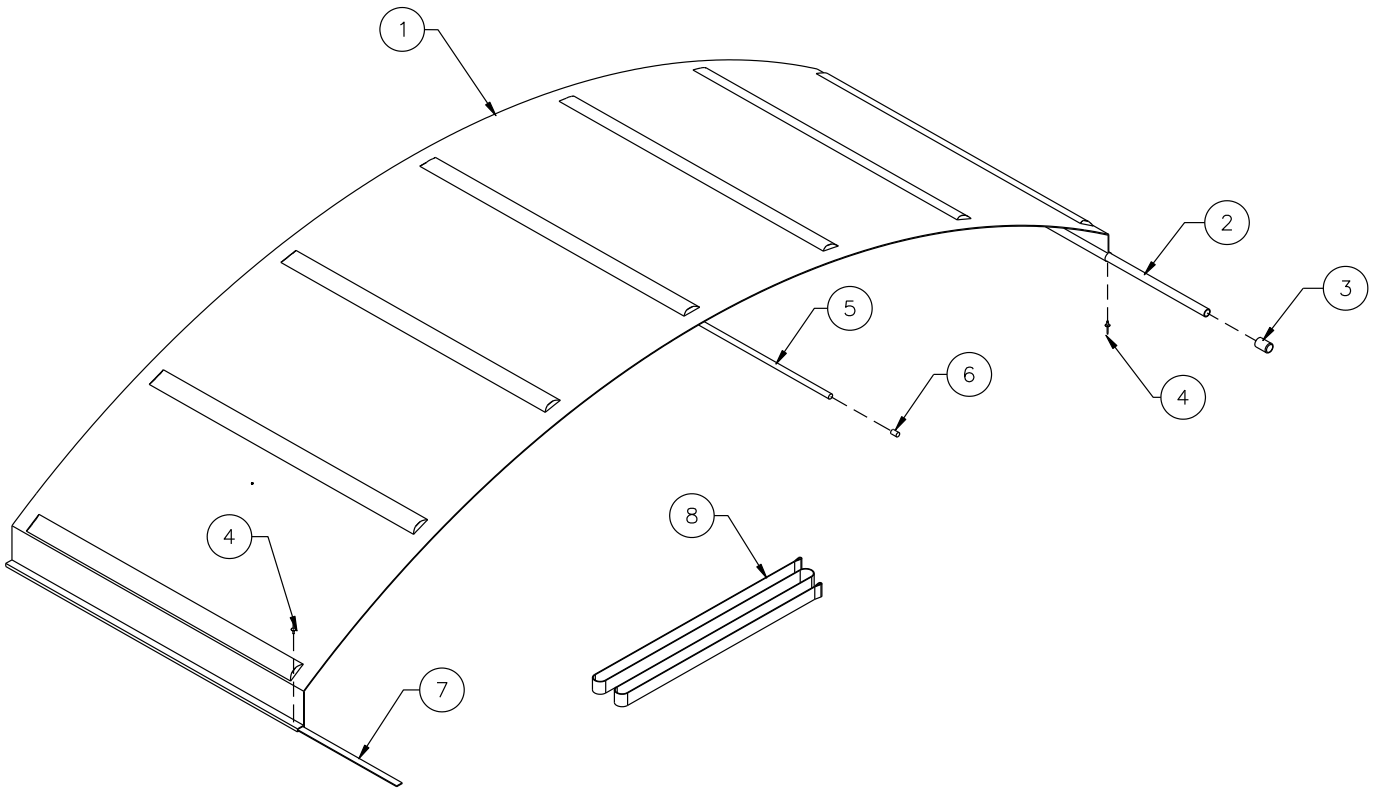
DETAIL B



HP-NHCR960-940 - NEW HOLLAND CR970 & CASE 8010 TARP ASSEMBLY

New Holland Model's CR940, CR960, CR970, CR9040, CR9060, CR9070, CR9080, CR8080, CR7090, CR6090, CR9065, CR6.80, CR6.90, CR7.90, CR8.80, & CX8070, ***310 Bushel Grain Tanks***
 Case I.H. AFX 7010, 7120, 7230, 7240 ***310 Bushel Grain Tanks***

REF	PART #	DESCRIPTION	QTY
1	0007-000284	CR960-940 Replacement Tarp Black - C/W- Pop Rivits, Rod Caps (NO SUPPORT PIPES)	EACH
2	0007-000286	Rear Rienforcement Pipe -CR960 C/W 2 0113-000020 Pipe Caps	EACH
3	0113-000020	1" - Crank Handle Plug - Ribbed - 10-14 GA	EACH
4	0103-000009	3/16"x 3/16" - 1/4" Grip - Pop Rivet - Steel/Steel Button Head (Sewing	EACH
5	0007-000287	Tarp Center Rod Support - CR960-940 C/W 2 0113-4000006 11/16" Center Cap	EACH
6	0113-400006	.S Caps-0.687-1.5-0.060-701- RED	EACH
7	0113-001000	Fiberglass Flat / FT.	FT.
8	0007-000285	Pull Straps - CR960-940	EACH
9	0106-000011	#10-24 x 3/4" - Wafer Head - Square - Self Drilling Screw - ZINC	EACH
10	0113-000036B	T - Retainer Clip - Small- Screws sold seperate	EACH



HP-NHCR960-940 - NEW HOLLAND CR970 & CASE 8010 ELECTRIC ASSEMBLY

New Holland Model's CR940, CR960, CR970, CR9040, CR9060, CR9070, CR9080, CR8080, CR7090, CR6090, CR9065, CR6.80, CR6.90, CR7.90, CR8.80, & CX8070, ***310 Bushel Grain Tanks***
 Case I.H. AFX 7010, 7120, 7230, 7240 ***310 Bushel Grain Tanks***

REF	PART #	DESCRIPTION	QTY
1	0145-400002	T - Rocker Switch only - (25 , 40 or 50 Amp)	EACH
2	0105-000003	1/4"-20 x 1" GR5 - Hex Cap Screw - Full Thread - ZINC	EACH
3	0100-001100	1/4"-20 GR2 - Nylock Lock Nut - ZINC	EACH
4	0145-100049	16-14 GA Female Quick Disconnect Insulated Tab Size .25"	Ea.
5	0145-900023	Ring Terminal Nylon- 16-14 GA Stud Size 1/4"	EA
6	0145-100007	T - 14-3/C Switch Wire	FT
7	0145-400021	CT - Heavy Duty 12 Volt DC ContactorC/Wwire End, Nuts & Wiring Diag & 4 Insulato	EACH
9	0145-900044	#4 Tin Plated Lugs - 3/8" Stud - solderable	EA
10	0145-910112	T, C - Hi Amp Auto Reset 50 amp Circuit Breaker- Surface Mount - c/w Wire Ends	EA
11	0145-900046	#4 Tin Plated Lugs - #10 Stud Solderable	EA
1-11	0145-400015	Rocker Switch & HDRelay Kit 50 Amp12 V c/w 1/4" Ring Term & Insulators	EACH
12	0145-120015	T - Wire #6 Duplex	FT
14	0145-200005	7/8 " - Diameter x 1/2" Wire Clamp - Vinyl Dipped	EACH
15	0125-001002	7" x 50# - Nylon Cable Tie - Cold Weather - Black UV (ACT Only)	EACH
16	0145-900045	#4 Tin Plated Lugs - 1/4" Stud -Solderable	EA
17	0145-400007	3/8" Wire Clip	EACH

