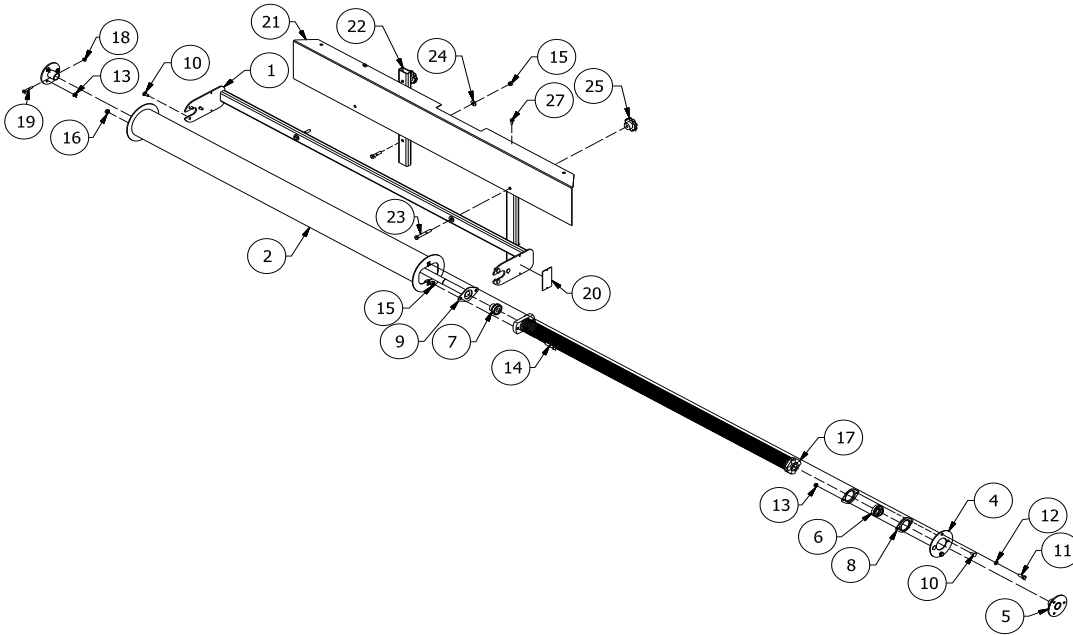


NH-CX880-860 - NEW HOLLAND CX880-860 FRONT ROLLTUBE ASSEMBLY
New Holland CX880, 860, 8090, 8080 With Factory Hopper Extension

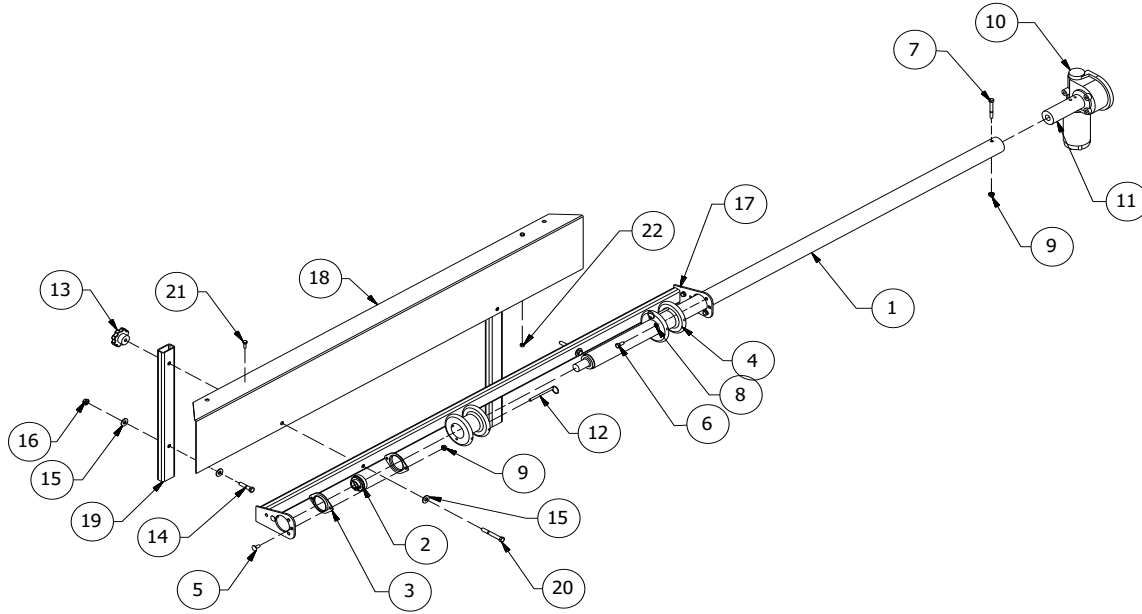
REF	PART #	DESCRIPTION	QTY
1	0007-000403	Front CX880-860 Mounting Bracket	EACH
2	0007-000202	Front CNH Rolltube ONLY - 63-1/2"	EACH
3	0007-000204	1" Aluminum Shaft - CNH 69-1/2"	EACH
4	0007-000018	Rolltube - Shaft End Cap	EACH
5	0007-000001	Front Rolltube Mount	EACH
6	0115-000008	T - UC205-16ECC Self Aligning Bearing Black Oxide	EACH
7	0115-000006	SA205-16 Bearing	EACH
8	0115-001000	T - 52MM2 Flangettes Pltd (SOLD AS EACH) Tariff# 7326.9085	EACH
9	0002-040607	Bearing Flange - AF	EACH
10	0105-009101	5/16"-18 x 3/4" GR2 - Carriage Bolt - Full Thread - ZINC	EACH
11	0105-000202	3/8"-16 x 1" GR5 - Hex Cap Screw - Full Thread - ZINC	EACH
12	0101-001202	3/8" - Lock Washer - Plated	EACH
13	0100-001101	5/16"-18 GR2 - Nylock Lock Nut - ZINC	EACH
14	0105-000205	3/8"-16 x 1-3/4" GR5 - Hex Cap Screw - ZINC	EACH
15	0100-001002	3/8"-16 GR2 - Hex Nut - ZINC	EACH
16	0100-001302	3/8"-16 GR2 - Serrated Flange Lock Nut - ZINC	EACH
17	0007-000205	CNH Torsion Spring Assembly - 58-3/8" C/W Instructions	EA
18	0105-000006	1/4"-20 x 1-3/4" GR5 - Hex Cap Screw - ZINC	EACH
19	0100-001100	1/4"-20 GR2 - Nylock Lock Nut - ZINC	EACH
20	0114-000008	Serial Number Plates 2" x 4"	EACH
21	0007-000401	Front Extension Plate - CX	EACH
22	0007-000402	Extension Reinforcement Tubing - 27	EACH
23	0105-000210	3/8"-16 x 3" GR5 - Hex Cap Screw - ZINC	EACH
24	0101-001002	3/8" USS - Flat Washer - ZINC	EACH
25	0113-400002	3/8" Black Female Knob w/o Cable	EACH
26	0100-001102	3/8"-16 GR2 - Nylock Lock Nut - ZINC	EACH
27	0105-000006	1/4"-20 x 1-3/4" GR5 - Hex Cap Screw - ZINC	EACH



WITH SERIAL # 2007051 AND UP THE ROLLTUBE ENDS SWITCHED WHAT WAS PASSNEGER SIDE IS NOW DRIVER SIDE

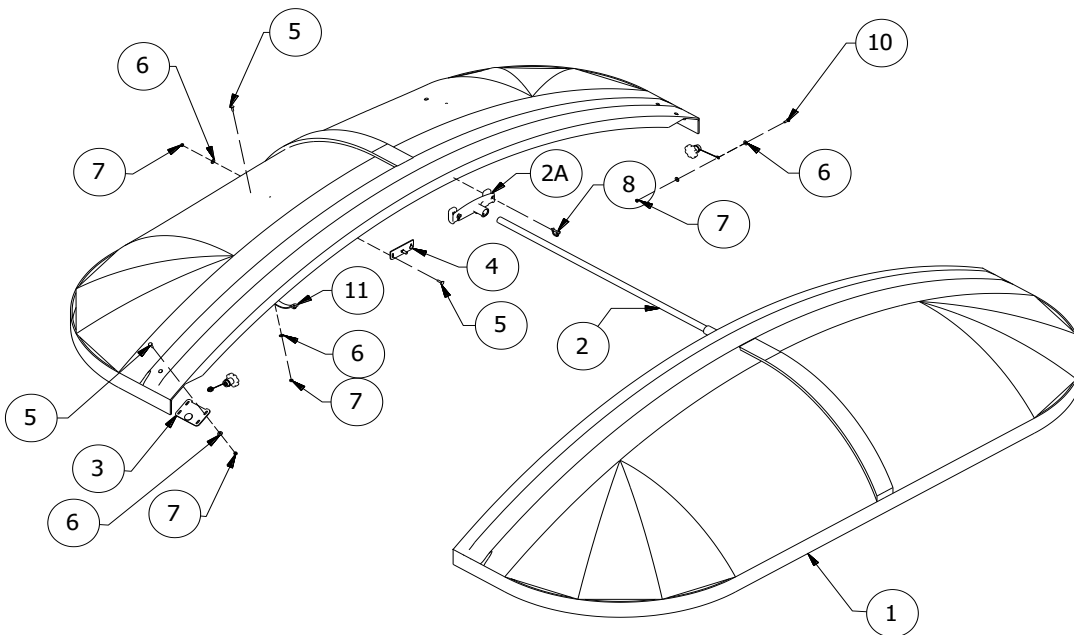
NH-CX880-860 - NEW HOLLAND CX880-860 REAR ROLLTUBE ASSEMBLY
New Holland CX880, 860, 8090, 8080 With Factory Hopper Extension

REF	PART #	DESCRIPTION	QTY
1	0007-000252	Rear CNH Rolltube	EACH
2	0115-000008	T - UC205-16ECC Self Aligning Bearing Black Oxide	EACH
3	0115-001000	T - 52MM2 Flangettes Pltd (SOLD AS EACH) Tariff# 7326.9085	EACH
4	0007-000002	Combine Pulley C/W 4 0104-000002 Set Screws	EACH
5	0105-009101	5/16"-18 x 3/4" GR2 - Carriage Bolt - Full Thread - ZINC	EACH
6	0105-000101	5/16"-18 x 3/4" GR5 - Hex Cap Screw - Full Thread - ZINC	EACH
7	0105-000108	5/16"-18 x 2-1/2" GR5 - Hex Cap Screw - ZINC	EACH
8	0101-001201	5/16" - Split Lock Washer - ZINC	EACH
9	0100-001101	5/16"-18 GR2 - Nylock Lock Nut - ZINC	EACH
10+11	0001-092101	12v Super Tork Motor with 2" Motor Shaft & Cover	EACH
12	0110-000019	1/4" x 3-1/2" CTRLS HITCHPIN (Pins for Combine Cover Strap Pulleys)	EA
13	0113-400002	3/8" Black Female Knob w/o Cable	EACH
14	0105-000205	3/8"-16 x 1-3/4" GR5 - Hex Cap Screw - ZINC	EACH
15	0101-001002	3/8" USS - Flat Washer - ZINC	EACH
16	0100-001102	3/8"-16 GR2 - Nylock Lock Nut - ZINC	EACH
17	0007-000452	REAR NHCX880-860 ROLLTUBE MOUNTING BRACKET	EA
18	0007-000451	Rear Extension Plate -CX	EACH
19	0007-000402	Extension Reinforcement Tubing - 27	EACH
20	0105-000210	3/8"-16 x 3" GR5 - Hex Cap Screw - ZINC	EACH
21	0105-000006	1/4"-20 x 1-3/4" GR5 - Hex Cap Screw - ZINC	EACH
22	0100-001100	1/4"-20 GR2 - Nylock Lock Nut - ZINC	EACH



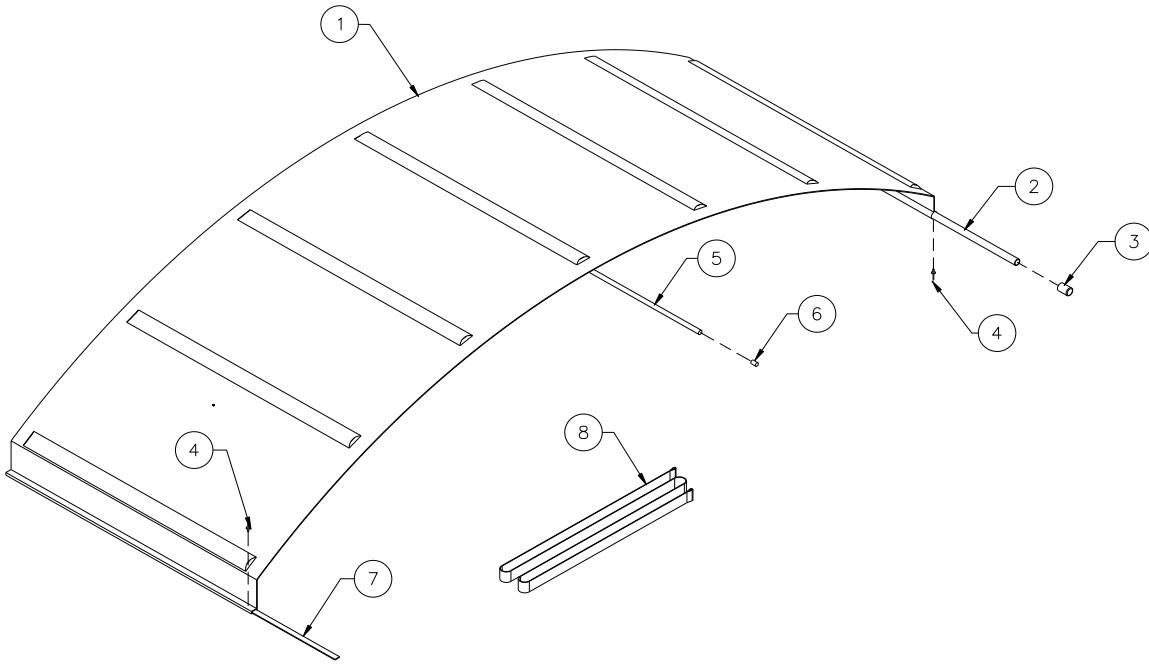
NH-CX880-860 - NEW HOLLAND CX880-860 HOOD ASSEMBLY
New Holland CX880, 860, 8090, 8080 With Factory Hopper Extension

REF	PART #	DESCRIPTION	QTY
1	0113-400012	CX880-860 Plastic Combine Hood- Black	EACH
2	0007-000471	C - Middle Support Bracket- CX C/W Plastic Ends	EACH
2A	0113-400019	Middle Support Bracket End - Combine- Black c/w Inserts	EA
3	0007-000472	CX Hood Bracket - End	EACH
4	0007-000473	CX Hood Bracket - Side	EACH
5	0105-007003	1/4"-20 x 1" - Truss Head Machine Screw - ZINC	EACH
6	0101-001000	1/4" USS - Flat Washer - ZINC	EACH
7	0100-001100	1/4"-20 GR2 - Nylock Lock Nut - ZINC	EACH
8	0110-000018	Quick Pin 1/4"x1-3/4-Rnd Loop PLTD	EACH
9	0007-000013	3/8" Plastic Knob - Long c/w Cable	EACH
10	0105-000006	1/4"-20 x 1-3/4" GR5 - Hex Cap Screw - ZINC	EACH
11	0007-000014	Strap Handle - HP Hood	EACH



NH-CX880-860 - NEW HOLLAND CX880-860 TARP ASSEMBLY
New Holland CX880, 860, 8090, 8080 With Factory Hopper Extension

REF	PART #	DESCRIPTION	QTY
1	0007-000480	CX880-860 Replacement Tarp - Black -C/W- Pop Rivits, Rod Caps (NO SUPPORT PIPES)	EACH
2	0007-000481	Rear Pull Pipe - CX880 C/W 2 0113-000020 Pipe Caps	EACH
3	0113-000020	1" - Crank Handle Plug - Ribbed - 10-14 GA	EACH
4	0103-000009	3/16"x 3/16" - 1/4" Grip - Pop Rivet - Steel/Steel Button Head (Sewing	EACH
5	0007-000482	Center Rod Support - CX C/W 2 0113-4000006 11/16" Center Cap	EACH
6	0113-400006	.S Caps-0.687-1.5-0.060-701- RED	EACH
7	0113-001000	Fiberglass Flat / FT.	FT.
8	0007-000483	Pull Straps - CX880-860	EACH
9	0106-000011	#10-24 x 3/4" - Wafer Head - Square - Self Drilling Screw - ZINC	EACH
10	0113-000036B	T - Retainer Clip - Small- Screws sold seperate	EACH



NH-CX880-860 - NEW HOLLAND ELECTRIC ASSEMBLY
New Holland CX880, 860, 8090, 8080 With Factory Hopper Extension

REF	PART #	DESCRIPTION	QTY
1	0145-400002	T - Rocker Switch only - (25 , 40 or 50 Amp)	EACH
2	0105-000003	1/4"-20 x 1" GR5 - Hex Cap Screw - Full Thread - ZINC	EACH
3	0100-001100	1/4"-20 GR2 - Nylock Lock Nut - ZINC	EACH
4	0145-100049	16-14 GA Female Quick Disconnect Insulated Tab Size .25"	Ea.
5	0145-900023	Ring Terminal Nylon- 16-14 GA Stud Size 1/4"	EA
6	0145-100007	T - 14-3/C Switch Wire	FT
7	0145-400021	CT - Heavy Duty 12 Volt DC ContactorC/Wwire End, Nuts & Wiring Diag & 4 Insulato	EACH
9	0145-900044	#4 Tin Plated Lugs - 3/8" Stud - solderable	EA
10	0145-910112	T, C - Hi Amp Auto Reset 50 amp Circuit Breaker- Surface Mount - c/w Wire Ends	EA
11	0145-900046	#4 Tin Plated Lugs - #10 Stud Solderable	EA
1-11	0145-400015	Rocker Switch & HDRelay Kit 50 Amp12 V c/w 1/4" Ring Term & Insulators	EACH
12	0145-120015	T - Wire #6 Duplex	FT
14	0145-200005	7/8" - Diameter x 1/2" Wire Clamp - Vinyl Dipped	EACH
15	0125-001002	7" x 50# - Nylon Cable Tie - Cold Weather - Black UV (ACT Only)	EACH
16	0145-900045	#4 Tin Plated Lugs - 1/4" Stud -Solderable	EA
17	0145-400007	3/8" Wire Clip	EACH

