



## EZ-Load End Dump Order Form

Name: \_\_\_\_\_  
 Company: \_\_\_\_\_  
 Date: \_\_\_\_\_  
 Trailer Model: \_\_\_\_\_  
 Trailer Year: \_\_\_\_\_

### Box Dimensions

A \_\_\_\_\_ Upper Box Length  
 B \_\_\_\_\_ Upper Box Width  
 Front \_\_\_\_\_ Center \_\_\_\_\_ Rear \_\_\_\_\_  
 N \_\_\_\_\_ Top Rail Width  
 U \_\_\_\_\_ Inside Box Width  
 X \_\_\_\_\_ Box Height

### Select Corner Configuration from Fig. 1 and Circle.

C \_\_\_\_\_ Outside Corner Radius For radius fronts  
 D \_\_\_\_\_ Recessed Width  
 E \_\_\_\_\_ Flat Across Front  
 F \_\_\_\_\_ Front Corner Post  
 G \_\_\_\_\_ Gusset Length  
 V \_\_\_\_\_ Flat Across Diag  
 W \_\_\_\_\_ Diagonal Depth

### Select Top Rail Style Fig 2 and Circle

Are Planks flush with outside of the Top Rail: Y or N  
 Top Rail Drop

L \_\_\_\_\_ Bulkhead Depth  
 O1 \_\_\_\_\_ Front Rail Drop  
 M \_\_\_\_\_ Threshold Depth  
 O2 \_\_\_\_\_ Rear Rail Drop

### Select Front End Style Fig. 4 and Circle

AD \_\_\_\_\_ Cylinder Height  
 J \_\_\_\_\_ Upper Shield  
 AE \_\_\_\_\_ Doghouse Depth  
 J1 \_\_\_\_\_ Doghouse Width  
 H \_\_\_\_\_ Shield Hight  
 K \_\_\_\_\_ Lower Shield Width

### Rear Dump Style Fig. 5 and Circle

AF \_\_\_\_\_ Hinge Depth  
 AK \_\_\_\_\_ Hing Height  
 B \_\_\_\_\_ Box Width/Rear

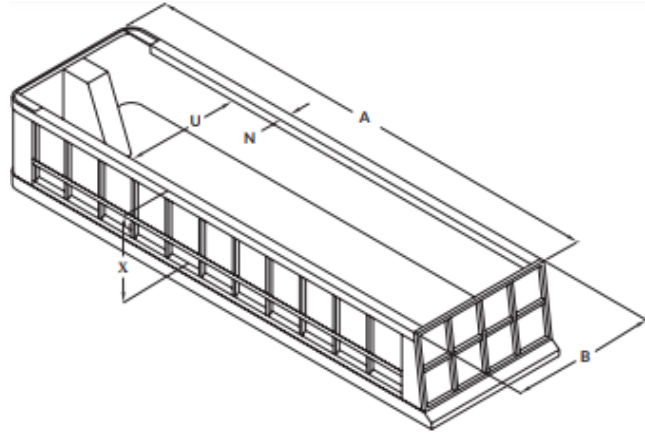


FIGURE 1

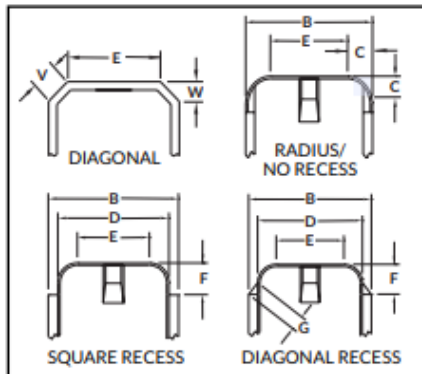


FIGURE 2

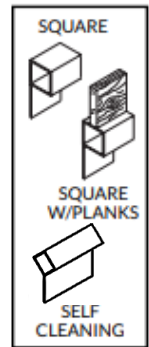


FIGURE 3

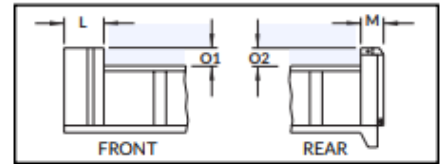


FIGURE 4

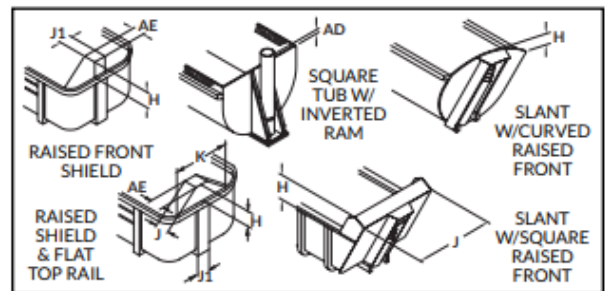


FIGURE 5

