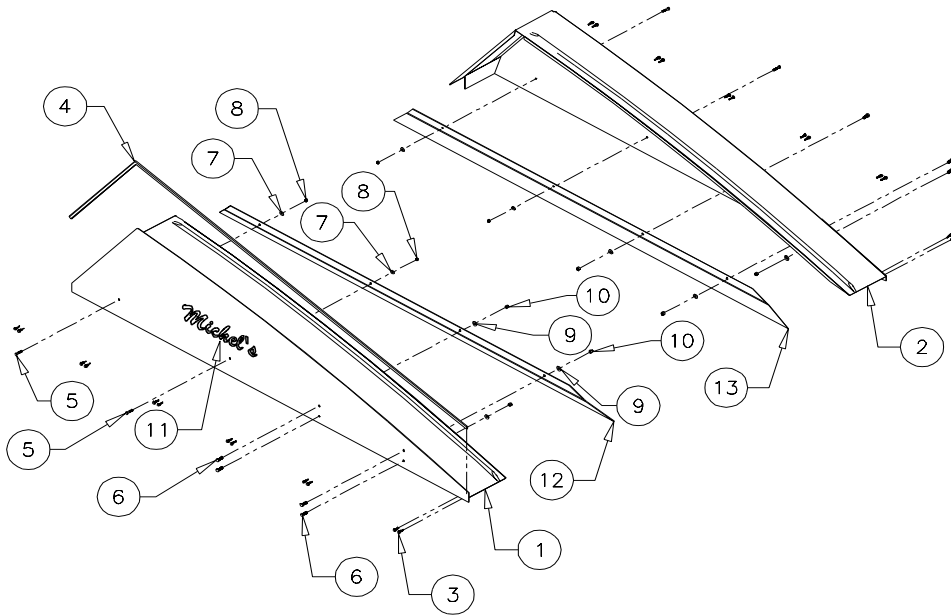


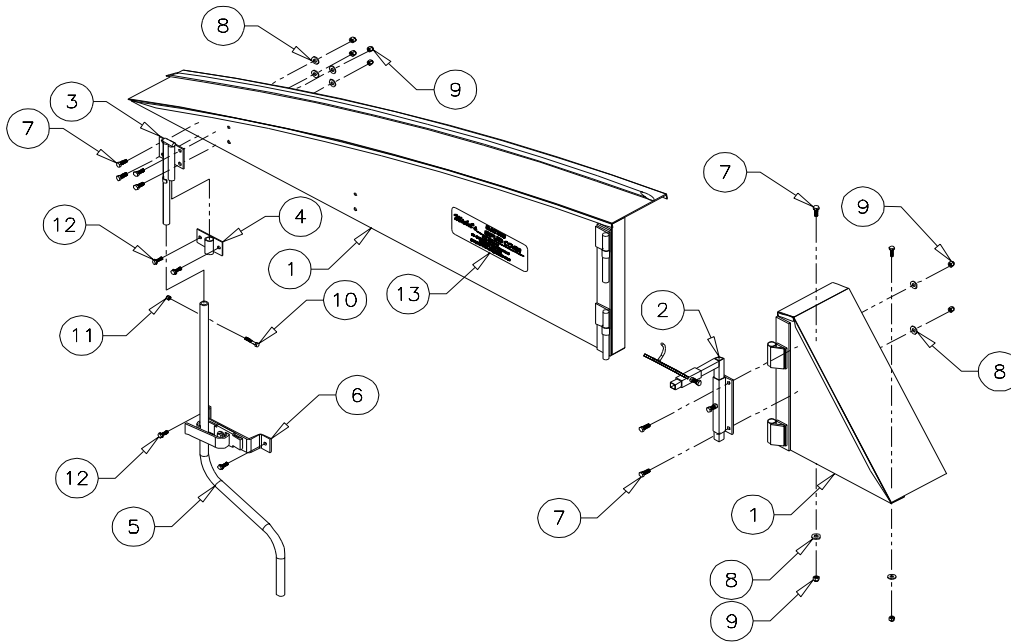
FRONT AND REAR HOOD ASSEMBLY (SPUD COVER)

REF	PART#	DESCRIPTION	QTY
1	0001-015801	FRONT HOOD - 8' c/w REF#3-5,7,8,11	1
2	0001-015802	REAR HOOD - 8' c/w REF#3,5,6,9,10 & REAR HOOD DECAL	1
N/A	0001-015821	FRONT HOOD - 82" c/w REF#3-5,7,8,11	1
N/A	0001-015822	REAR HOOD - 82" c/w REF#3,5,6,9,10 & REAR HOOD DECAL	1
N/A	0001-015841	FRONT HOOD - 84" c/w REF#3-5,7,8,11	1
N/A	0001-015842	REAR HOOD - 84" c/w REF#3,5,6,9,10 & REAR HOOD DECAL	1
3	0106-000005	1/4"x1" LAG SCREW	1
4	0113-000014	FRONT HOOD MOULDING	FT
5	0105-000002	1/4"X3/4" HEX BOLT	1
6	0105-000202	3/8"X1" HEX BOLT	1
7	0101-001000	1/4" FLAT WASHER	1
8	0100-001100	1/4" NYLON LOCK NUT	1
9	0101-001002	3/8" FLAT WASHER	1
10	0100-001102	3/8" NYLON LOCK NUT	1
11	0114-000014	MICHEL'S FRONT HOOD DECAL	1
N/A	0114-000012	REAR HOOD DECAL-SPUD COVER	1
12	0001-015001	FRONT HOOD FLANGE c/w REF#6,9,10	1
13	0001-015002	REAR HOOD FLANGE c/w REF#6,9,10	1



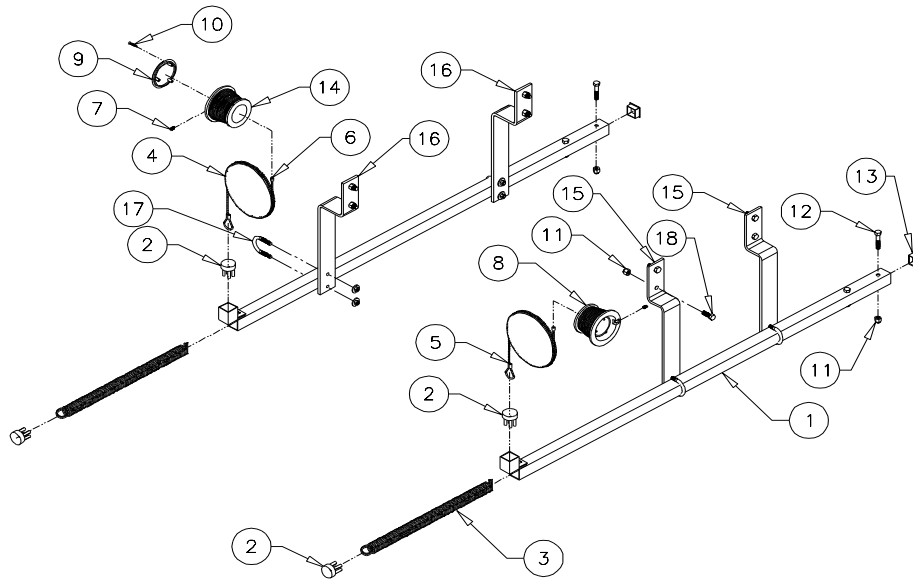
REAR HINGING HOOD ASSEMBLY (SPUD COVER) (OPTIONAL)

REF	PART#	DESCRIPTION	QTY
1	0001-015803	HINGING REAR HOOD - 8' c/w REF#7-9,13, & HINGE	1
N/A	0001-015823	HINGING REAR HOOD - 8'2" c/w REF#7-9,13, & HINGE	1
N/A	0001-015843	HINGING REAR HOOD - 8'4" c/w REF#7-9,13, & HINGE	1
2	0001-015005	CABLE GUIDE-SPUD COVER	1
3	0001-015006	HOOD LATCH	1
4	0001-015003	HOOD LATCH RETAINER	1
5	0001-015004	8' HINGING HOOD CRANK HANDLE	1
6	0001-030100	CRANK HANDLE HOLDER & 2"x10" CRANK HANDLE HOLDER BRACKET	1
7	0105-000202	3/8"X1" HEX BOLT	1
8	0101-001002	3/8" FLAT WASHER	1
9	0100-001102	3/8" NYLON LOCK NUT	1
10	0105-000006	1/4"x1-3/4" HEX BOLT	1
11	0100-001100	1/4" NYLON LOCK NUT	1
12	0106-000016	3/8" X 1 1/4" SELF THREADING BOLT	1
13	0114-000012	REAR HOOD DECAL-SPUD COVER	1



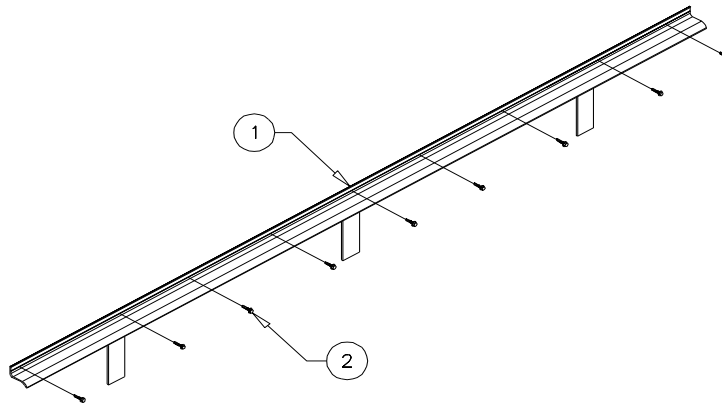
HOLDBACK ASSEMBLY (SPUD COVER)

REF	PART#	DESCRIPTION	QTY
1	0001-020502	FRONT OR REAR TUBING FOR HOLDBACK	1
N/A	0001-020501	COMPLETE HOLDBACK-FRONT c/w REF#1-7+9-14+16-18	1
N/A	0001-020550	COMPLETE HOLDBACK-REAR c/w REF#1-13+15+17-18	1
1-18	0001-020500	COMPLETE FRONT AND REAR HOLDBACK c/w REF#1-18	1
2	0113-000010	CABLE GUIDE NYLON INSERT	1
3	0117-001000	.092"X1"X13.57" EXTENSION SPRING	1
4	0001-020001	11"11" CABLE WITH ENDS	1
5	0116-003101	CABLE SLEEVE	1
6	0116-003100	CABLE STOP	1
7	0104-000002	1/4"X3/8" SET SCREW	1
8	0001-020007	BEVELLED CABLE PULLEY-FRONT REVERSE c/w REF#37	1
9	0001-020008	BEVELLED CABLE PULLEY END CAP c/w REF#33	1
10	0106-000004	#6X1" FLAT HEAD SOCKET SHEET METAL SCREW	1
11	0100-001102	3/8" NYLON LOCK NUT	1
12	0105-000205	3/8"X1-3/4" HEX BOLT	1
13	0113-000000	1-1/4" SQUARE TUBE CAP	1
14	0001-020006	BEVELLED CABLE PULLEY-FRONT STANDARD c/w REF#37	1
15	0001-020504	2" HOLDBACK BRACKET	1
16	0001-020503	3" HOLDBACK BRACKET	1
17	0105-009100	1/4"X1-5/16"X2" SQUARE U BOLT c/w FLANGED NUT	1
18	0105-000202	3/8"X1" HEX BOLT	1

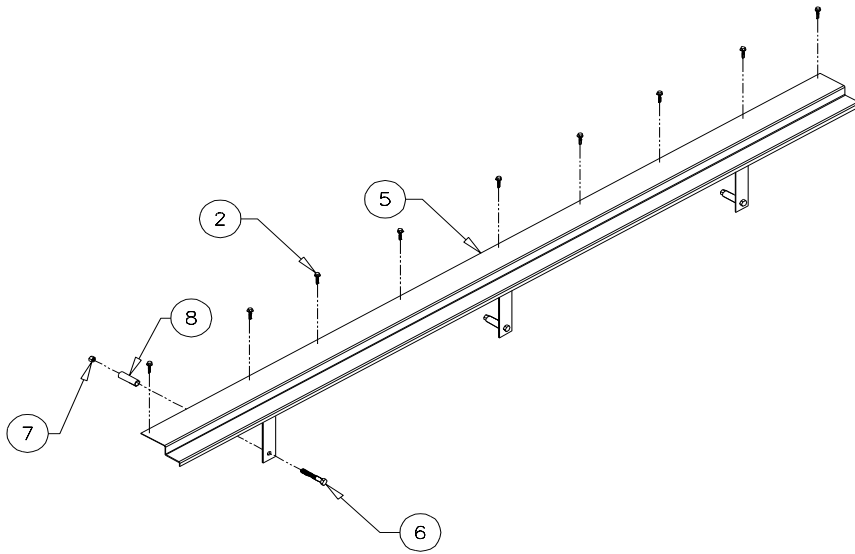
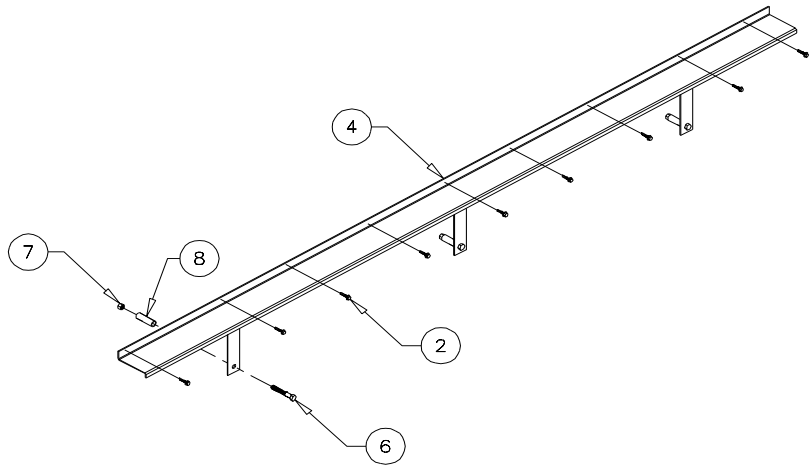


LOCKING FLANGE ASSEMBLY (SPUD COVER)

REF	PART#	DESCRIPTION	QTY	
1	0001-020505	THOMAS, LOCKWOOD, HANES, & BAUMAN ALUMINUM LOCKING FLANGE	FT	
N/A	0001-020506	THOMAS, LOCKWOOD, HANES, & BAUMAN STEEL LOCKING FLANGE	FT	
4	0001-020507	NEW DOUBLE L, SPUDNIK, & LOGAN ALUMINUM LOCKING FLANGE	FT	
5	0001-020508	OLD DOUBLE L ALUMINUM LOCKING FLANGE	FT	
2	0106-00005	1/4"x1" LAG SCREW	1	
6	0105-000210	3/8"x3" HEX BOLT	1	
7	0100-001002	3/8" HEX NUT	1	
8	0001-020509	2" SPACER	1	

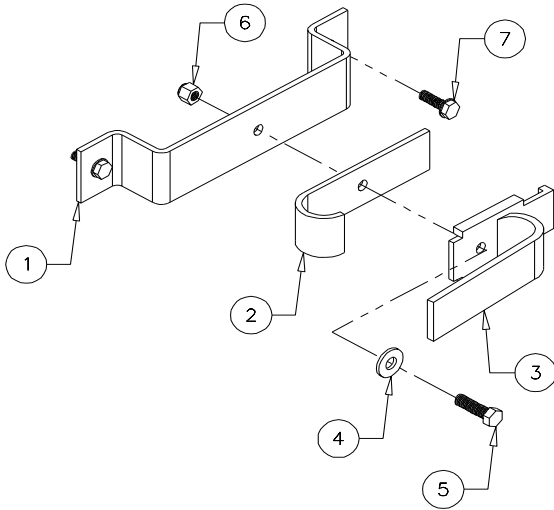


LOCKING FLANGE ASSEMBLY CONTINUED (SPUD COVER)



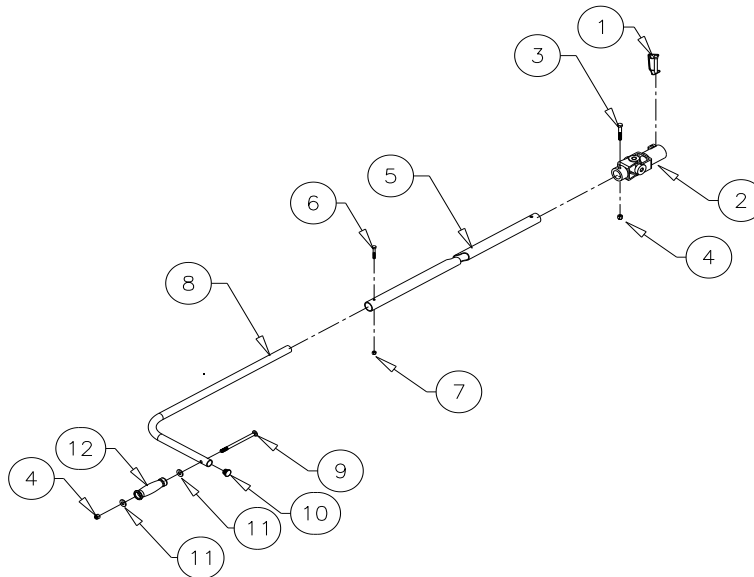
CRANK HANDLE HOLDER ASSEMBLY (SPUD COVER)

REF	PART#	DESCRIPTION	QTY
1	0001-030001	2"X10" CRANK HANDLE HOLDER BRACKET c/w REF#47	1
2	0001-030004	STEEL CRANK LOCK	1
3	0113-000005	CRANK LOCK RETAINER	1
4	0101-001002	3/8" FLAT WASHER	1
5	0105-000203	3/8"X1-1/4" HEX BOLT	1
6	0100-001102	3/8" NYLON LOCK NUT	1
7	0106-000016	3/8" X 1 1/4" SELF THREADING BOLT	1
N/A	0114-000006	FARM CRANK HANDLE HOLDER WARNING DECAL	1
2-6	0114-000007	SEMI TRAILER CRANK HANDLE HOLDER WARNING DECAL	1
1-7	0001-030000	CRANK HANDLE HOLDER	1



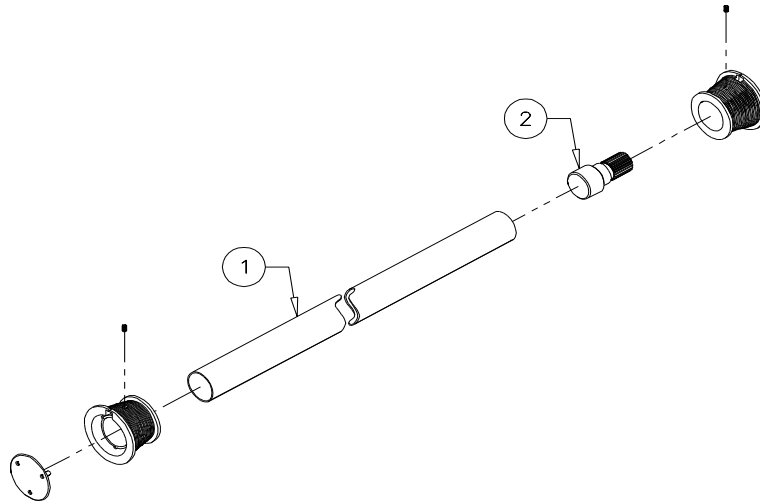
SWIVEL CRANK HANDLE ASSEMBLY (SPUD COVER)

REF	PART#	DESCRIPTION	QTY
1	0110-000007	3/8"X2-1/2" QUICK PIN	1
2	0001-040002	UNIVERSAL JOINT c/w REF#1	1
3	0105-000208	3/8"X2-1/2" HEX BOLT	1
4	0100-001102	3/8" NYLON LOCK NUT	1
5	0001-046001	6' CRANK SHAFT	1
6	0105-000002	1/4"X3/4" HEX BOLT	1
7	0100-001100	1/4" NYLON LOCK NUT	1
8	0001-040004	SWIVEL CRANK HANDLE c/w REF#10	1
9	0105-009222	3/8" X 6" CARRIAGE BOLT	1
10	0113-000020	1" CRANK HANDLE PLUG	1
11	0101-001002	3/8" FLAT WASHER	1
12	0113-000015	PLASTIC GRIP - SMALL HOLE	1
1-5	0001-046002	6' CRANK SHAFT & UNIVERSAL JOINT	1
8-12	0001-040003	SWIVEL CRANK HANDLE ASSEMBLY	1
1-12	0001-046010	COMPLETE 6' SWIVEL CRANK ASSEMBLY	1



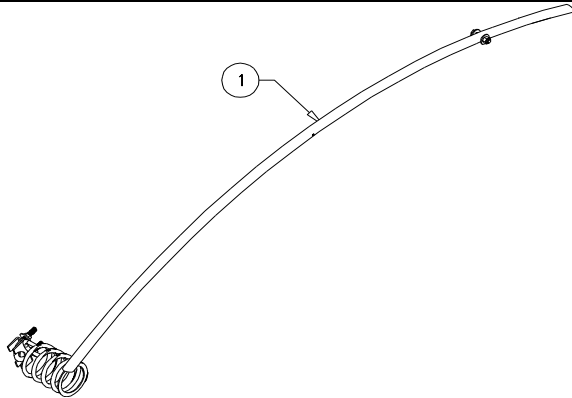
ROLLTUBE ASSEMBLY (SPUD COVER)

REF	PART#	DESCRIPTION	QTY	
1	0150-001006B	ROLLTUBE ONLY	FT	
2	0161-001004	SPLINE	1	
1-2	0001-0500**	ROLLTUBE c/w SPLINE (** IS THE LENGTH OF ROLLTUBE)	FT	



SPRING LOADED CROSS MEMBER (SPUD COVER)

REF	PART#	DESCRIPTION	QTY
1	0001-060201	SPRING LOADED CROSS MEMBER (OPTIONAL)	1

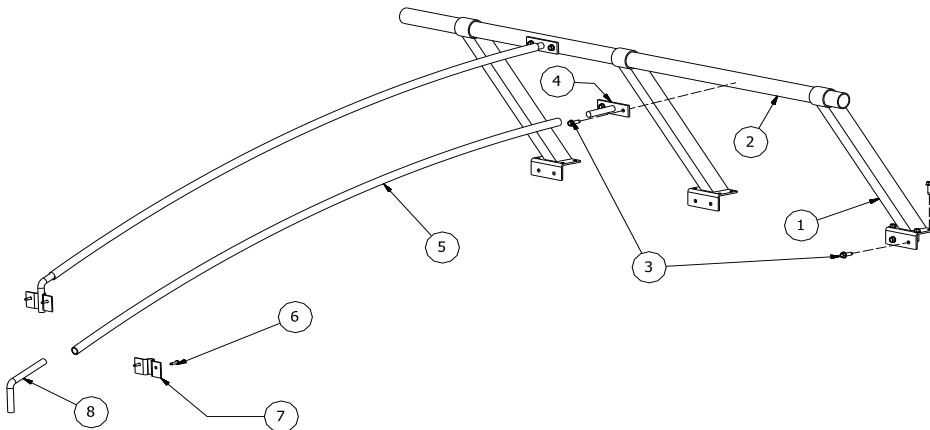


SUPPORT WALL ASSEMBLY (SPUD COVER)

REF	PART#	DESCRIPTION	QTY
1	0001-060202	SUPPORT WALL BRACKET	1
2	0106-000016	3/8" X 1 1/4" SELF THREADING BOLT	1
3	0150-001006B	SUPPORT WALL ROLLTUBE	FT

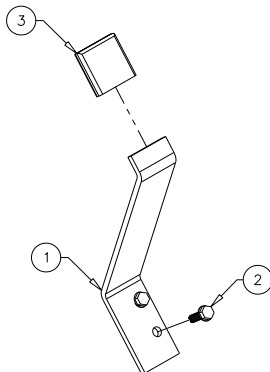
OPTIONAL STATIONARY HOOP ASSEMBLY

4	0001-060206	STATIONARY SPUD HOOP HOLDER	1
5	0001-060205	8' 6" STATIONARY SPUD HOOP	1
6	0106-000005	1/4"x1" LAG SCREW	1
7	0001-060002	HOOP HOLDER	1
8	0001-060207	GRAINCART BENT ANGLE	1



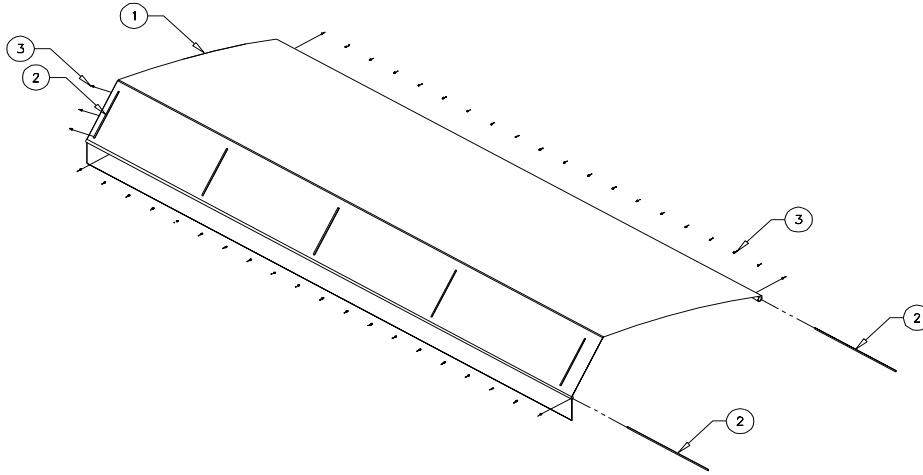
TARP STOP ASSEMBLY (SPUD COVER)

REF	PART#	DESCRIPTION	QTY
1	0001-070500	TARP STOP c/w REF# 2+3	1
2	0106-000016	3/8" X 1 1/4" SELF THREADING BOLT	1
3	0113-000022	TARP STOP PROTECTOR	1



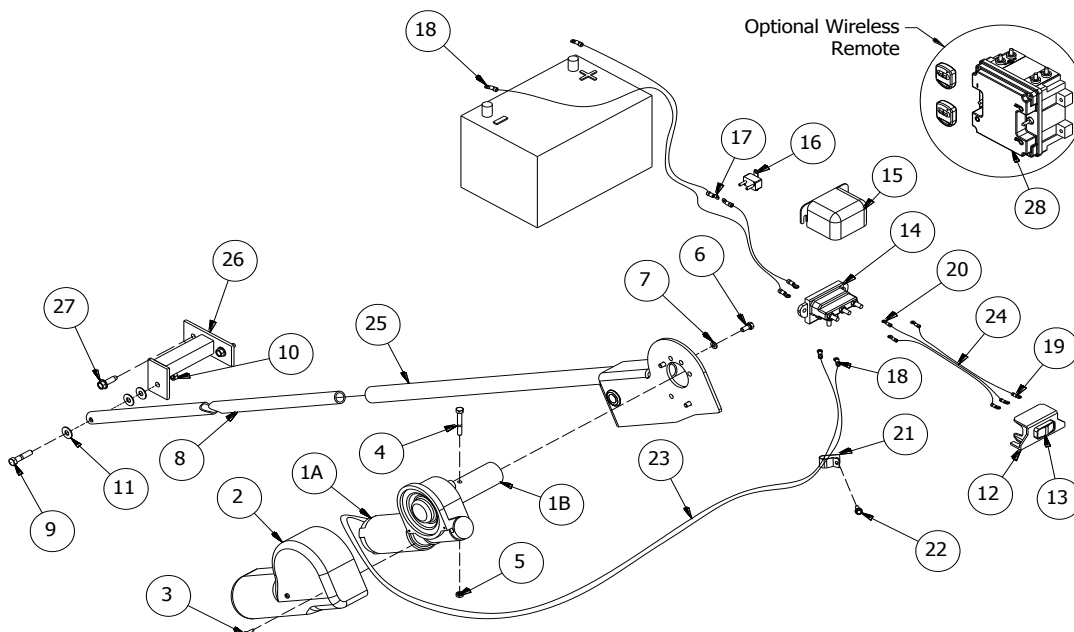
REPLACEMENT MATERIAL AND COMPONENTS (SPUD COVER)

REF	PART#	DESCRIPTION	QTY
1	0001-081901	19 OZ. PVC MATERIAL	LIN.FT
N/A	0001-081904	19 OZ. INSULATED PVC MATERIAL	LIN.FT
N/A	0001-082205	22 OZ. PVC MATERIAL	LIN.FT
2	0113-001000	FIBERGLASS FLAT	FT
3	0103-000004	3/16" POP RIVET	1



ELECTRICAL COMPONENTS

REF	PART #	DESCRIPTION	QTY
1-3	0001-092101	SUPER TORK MOTOR c/w MOTOR SHAFT & COVER	1
1A	0145-100014	SUPER TORK MOTOR	1
1B	0001-092003	SELECT MOTOR SHAFT	1
2	0145-100014A	SUPER TORK MOTOR COVER c/w SELF THREADING SCREWS	1
3	0106-000032	#10-24 X 1/2" SELF TAPPING SCREW	1
4	0105-000107	5/16"X2-1/4" HEX BOLT	1
5	0100-001301	5/16" JAM NUT	1
6	0105-000101	5/16"X3/4" HEX BOLT	1
7	0101-001201	5/16" LOCK WASHER	1
8	0001-092103	SUPER TORK ELECTRIC BOTTOM ARM	1
9	0105-000205	3/8"X1-3/4" HEX BOLT	1
10	0100-001102	3/8" NYLON LOCK NUT	1
11	0101-001002	3/8" FLAT WASHER	1
12-20	0145-400015	50AMP ROCKER SWITCH ELECTRICAL KIT	1
12-13	0145-400006	ROCKER SWITCH AND BRACKET	1
12	0145-400009	ROCKER SWITCH BRACKET	1
13	0145-400002	ROCKER SWITCH	1
14	0145-400003	REVERSE DC CONTACTOR	1
15	0145-400005	REVERSE DC CONTACTOR COVER	1
16	0145-100015	50 AMP CIRCUIT BREAKER	1
17	N/A	WIRE END 6GA #10	1
18	N/A	WIRE END 6GA -3/8	1
19	N/A	WIRE END 14GA - 1/4" PUSH ON	1
N/A	N/A	WIRE END #6 - 1/4"	1
20	N/A	WIRE END 14GA - 3/8"	1
21	0145-200005	3/4" WIRE CLIP (1 PER 3 FT)	1
22	0106-000005	1/4"x1" LAG SCREW	1
23	0145-120015	#6 DOUBLE STRAND WIRE	FT
24	0145-100007	14G-3 WIRE	FT
25	0001-092102	FARM ELECTRIC BRACKET - SUPER TORK	1
26	0001-090004	ELECTRIC PIVOT ARM BRACKET	1
27	0106-000016	3/8" X 1 1/4" SELF THREADING BOLT	1
1-27	0001-092110	ELECTRIC CONVERSION KIT - SPUD	1
OPTIONAL WIRELESS REMOTE			
28	0145-100037	WIRELESS REMOTE BOX c/w REMOTES (EXISTING ELECTRICS)	1
N/A	0001-092111	WIRELESS REMOTE ELECTRIC CONVERSION KIT - SPUD	1



ELECTRICAL COMPONENTS (SPUD COVER)

REF	PART #	DESCRIPTION	QTY
1-6	0001-092000	POWER PLUS MOTOR c/w MOTOR SHAFT & BRACKET	1
1	0001-092001	POWER PLUS MOTOR c/w MOTOR SHAFT	1
1	0145-100010	POWER PLUS ELECTRIC MOTOR c/w MOTOR COVER	1
1	0145-500027	POWER PLUS ELECTRIC MOTOR ONLY	1
2	0001-092002	MOTOR MOUNTING BRACKET	1
3	0110-000013	1/4"X1-3/4" ROLL PIN	1
4	0105-000108	5/16"X2-1/2" HEX BOLT	1
5	0100-001101	5/16" NYLON LOCK NUT	1
6	0105-000101	5/16"X3/4" HEX BOLT	1
7	0001-090002	TOP PIVOT ARM c/w REF#8	1
8	0113-000000	1-1/4" SQUARE TUBE CAP	1
9	0001-090001	BOTTOM PIVOT ARM c/w REF#10-12	1
10	0105-000205	3/8"X1-3/4" HEX BOLT	1
11	0101-001002	3/8" FLAT WASHER	1
12	0100-001102	3/8" NYLON LOCK NUT	1
13	0001-090004	ELECTRIC PIVOT ARM BRACKET	1
14	0106-000016	3/8" X 1 1/4" SELF THREADING BOLT	1
15	0105-000205	3/8"X1-3/4" HEX BOLT	1
16	0145-120015	#6 DOUBLE STRAND WIRE	FT
17	0145-200005	3/4" WIRE CLIP (1 PER 3 FT)	1
18	0106-000005	1/4"x1" LAG SCREW	1
19	0145-100007	14G-3 WIRE	FT
20-28	0145-400015	50AMP ROCKER SWITCH ELECTRICAL KIT	1
20	0145-400002	ROCKER SWITCH	1
21	0145-400003	REVERSE DC CONTACTOR	1
22	0145-400005	REVERSE DC CONTACTOR COVER	1
23	0145-100015	50 AMP CIRCUIT BREAKER	1
24	N/A	WIRE END 6GA #10	1
25	N/A	WIRE END #6 - 1/4"	1
26	N/A	WIRE END 6GA. -3/8"	1
27	N/A	WIRE END 14GA - 3/8"	1
28	N/A	WIRE END 14GA - 1/4" PUSH ON	1
PREVIOUSLY USED PARTS			
31	0145-100022	ELECTRIC MOTOR ONLY	1
32	0145-100017	ROTARY SWITCH (USED SWITCH TIL Oct 23/06)	1
33	N/A	SOLENOID ONLY	1
34	N/A	SOLENOID BLOCK COVER	1
33-34	0145-100009	SOLENOID BLOCK COMPLETE	1

