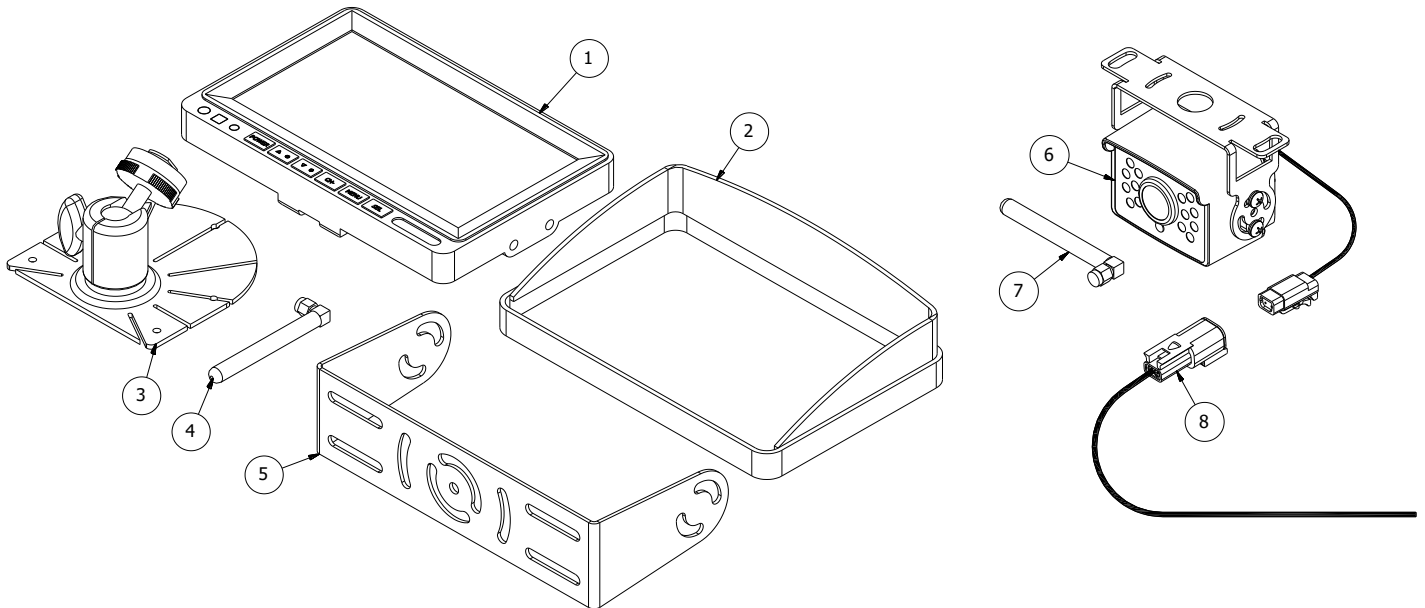


Michel's FC Series Camera Arm

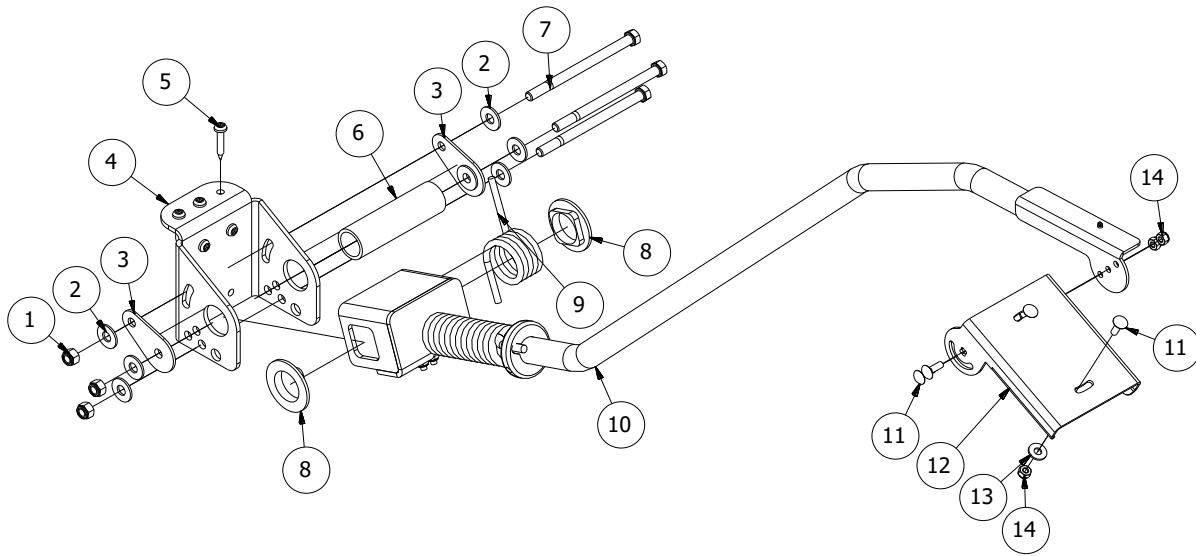
NOTE: PRICING, DISCRPTIONS AND IMIGINES MAY CHANGE AT ANY TIME WITHOUT NOTICE

| Michel's FC Series Camera Arm | | | |
|-------------------------------|-------------|--|-----|
| REF | PART # | DESCRIPTION | UOM |
| | 0015-000101 | C - Double Camera Arm Kit - Includes 1 FC Monitor, 2 Cameras, & 2 Arms | EA |
| | 0015-000102 | C - Single Camera Arm Kit - Includes 1 FC Monitor, 1 Camera & 1 Arm | EA |
| | 0015-000103 | C - Single Camera Arm Kit - C/W 1 Camera & 1 Arm (For FC Monitor but NO Monitor) | EA |
| | 0015-000112 | FC Series Camera Arm Assembly (Arm ONLY, No Camera) | EA |

| Wireless FC Series Camera & Monitor | | | |
|-------------------------------------|-------------|---|-----|
| REF | PART # | DESCRIPTION | UOM |
| 1-5 | 0015-000130 | Fixed Channel (FC) Monitor Monitor S/N: | EA |
| 1-8a | 0015-000104 | C - 1 FC Monitor/Camera Kit - 5ft wire (No Arm) | EA |
| 1-8b | 0015-000105 | C - 1 FC Monitor/Camera Kit - 18ft wire (No Arm) | EA |
| 1-8c | 0015-000106 | C - 1 FC Monitor/Camera Kit - 50ft wire (No Arm) | EA |
| 6-8a | 0015-000107 | C - 1 FC Camera Kit - 5ft wire (No Arm) | EA |
| 6-8b | 0015-000108 | C - 1 FC Camera Kit - 18ft wire (No Arm) | EA |
| 6-8c | 0015-000109 | C - 1 FC Camera Kit - 50ft wire (No Arm) | EA |
| 6 & 7 | 0015-000131 | Camera A Only w/connector (For FC Monitor) Camera S/N: | EA |
| | 0015-000132 | Camera B Only w/connector (For FC Monitor) Camera S/N: | EA |
| | 0015-000133 | Camera C Only w/connector (For FC Monitor) Camera S/N: | EA |
| | 0015-000134 | Camera D Only w/connector (For FC Monitor) Camera S/N: | EA |
| 1 | N/A | Fixed Channel (FC) Monitor | |
| 2 | N/A | FC Monitor Sunshade | |
| 3 | N/A | FC Butterfly Monitor Mounting Bracket - Comes with Monitor | |
| 4 | N/A | FC Wireless Antenna - Comes with Monitor & Camera | |
| 5 | N/A | FC U-Channel Monitor Mounting Bracket - Comes with Monitor | |
| 6 | N/A | FC Camera, Specify wich channel A,B,C, or D | |
| 7 | N/A | FC Wireless Antenna - Comes with Monitor & Camera | |
| 8a | 0015-000040 | 18' Camera Wiring cable with receptacle | EA |
| 8b | 0015-000041 | 50' Camera Wiring cable with receptacle | EA |
| 8c | 0015-000042 | 5' Camera Wiring cable with receptacle | EA |

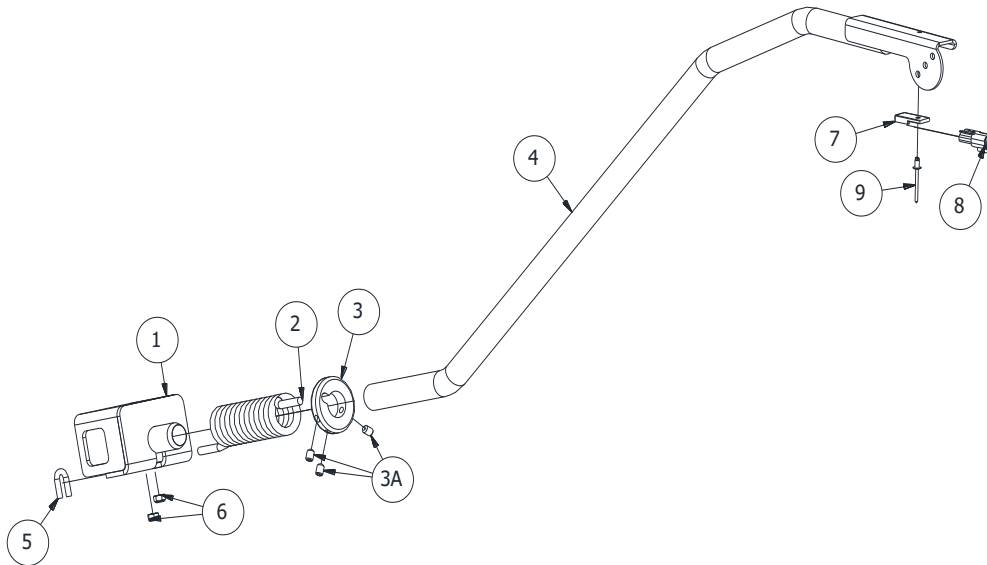


| 0015-000112 - FC Series Camera Arm Assembly (Arm ONLY, No Camera) | | | |
|---|-------------|---|------|
| REF | PART # | DESCRIPTION | UOM |
| 1 | 0100-001102 | 3/8"-16 GR2 - Nylock Lock Nut - ZINC | EACH |
| 2 | 0101-001002 | 3/8" USS - Flat Washer - ZINC | EACH |
| 3 | 0015-000057 | Pivot Cover Washer | EA |
| 4 | 0015-000055 | Mounting Base Plate | EA |
| 5 | 0106-000008 | 1/4" -14 x 1 1/2" Pan Head Sq Drive Self Drilling Screw Zinc | EACH |
| 6 | 0015-000056 | Torsion Spring Tubing | EA |
| 7 | 0105-000220 | 3/8"-16 x 5-1/2" GR5 - Hex Cap Screw - ZINC | EACH |
| 8 | 0015-000065 | UHMW Pivot Washer - Router Part | EA |
| 9 | 0117-002021 | CA - Powder Coated Music Wire Torsion Spring - (0.25" x 2.000) MIC40259 | EA |
| 10 | 0015-000051 | Arm Assembly Complete w/wiring | EA |
| 11 | 0105-009002 | 1/4"-20 x 3/4" GR5 - Carriage Bolt - Full Thread - ZINC | EACH |
| 12 | 0015-000060 | FC Series - Camera Adjusting Bracket | EA |
| 13 | 0101-001000 | 1/4" USS - Flat Washer - ZINC | EACH |
| 14 | 0100-001100 | 1/4"-20 GR2 - Nylock Lock Nut - ZINC | EACH |
| 1-14 | 0015-000112 | FC Series Camera Arm Assembly (Arm ONLY, No Camera) | EA |



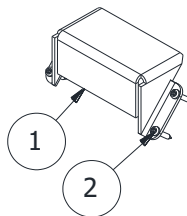
0015-000051 - Arm Assembly

| REF | PART # | DESCRIPTION | UOM |
|-----|-------------|--|------|
| 1 | 0015-000061 | Spring Mount Weldment | EA |
| 2 | 0117-002022 | C Arm- S17 .312 x 13-1/2 Coils x 1.674 (1.040-1.060ID) x 1-1/2" Tails Spring | EA |
| 3 | 0015-000066 | Arm Locating Washer Assembly | EA |
| 3A | 0104-000103 | 5/16"-18 x 1/2" - Socket Set Screw - Knurled Cup Point - Alloy YZ | EACH |
| 4 | 0015-000052 | Arm Weldment | EA |
| 5 | 0116-003102 | 3/16" Cable Clamp U-Bolt | EACH |
| 6 | 0100-001100 | 1/4"-20 GR2 - Nylock Lock Nut - ZINC | EACH |
| 7 | 0145-910583 | Mounting Clip, AT, ATM, ATP,ATHD AT11-026-0205 | EA |
| 8 | 0015-000040 | 18' Camera Wiring cable with receptacle | EA |
| 9 | 0103-000007 | 3/16 X 5/16 Rivet (augers) | EACH |
| NA | 0149-000204 | O-Split Loom 3/8"Cut 5141C-(100' rls) | FT. |
| ALL | 0015-000051 | Arm Assembly Complete w/wiring | EA |

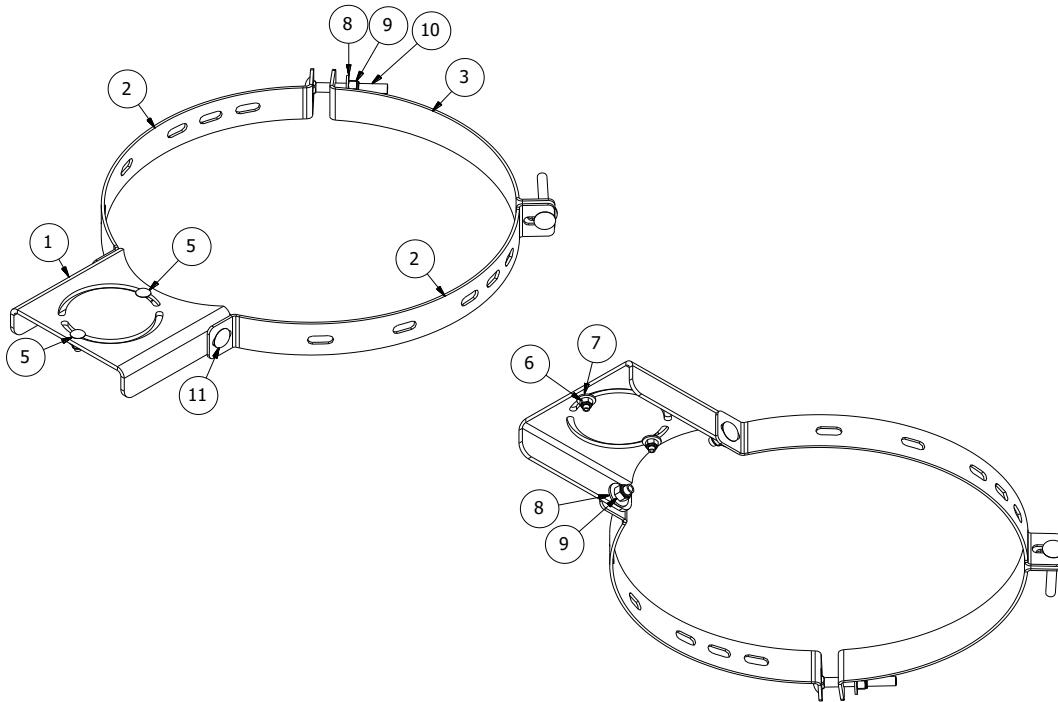


Optional Mounting Equipment

| REF | PART # | DESCRIPTION | UOM |
|-----|-------------|--|------|
| 1 | 0015-000075 | Sloped Mounting Bracket | EA |
| 2 | 0106-000008 | 1/4" -14 x 1 1/2" Pan Head Sq Drive Self Drilling Screw Zinc | EACH |
| 1-2 | 0015-000020 | Sloped Trailer Mounting Kit | EA |



| 0015-000110 - 8"-16" Grain Auger Kit C/W - 1 FC Monitor and 1 Camera | | | |
|--|-------------|---|------|
| REF | PART # | DESCRIPTION | UOM |
| All | 0015-000110 | C - 8" -16" Grain Auger Kit C/W - 1 FC Monitor and 1 Camera | EA |
| 1-11 | 0015-000023 | Universal 8in to 16in Auger Mounting Kit - FC Series | EA |
| 1 | 0015-000084 | Auger Mounting Plate - FC Series | EA |
| 2 | 0015-000083 | 8" to 16" Auger Bottom Strap | EA |
| 3 | 0015-000082 | Top Cross Strap | EA |
| 5 | 0105-009002 | 1/4"-20 x 3/4" GR5 - Carriage Bolt - Full Thread - ZINC | EACH |
| 6 | 0100-001100 | 1/4"-20 GR2 - Nylock Lock Nut - ZINC | EACH |
| 7 | 0101-001000 | 1/4" USS - Flat Washer - ZINC | EACH |
| 8 | 0101-001002 | 3/8" USS - Flat Washer - ZINC | EACH |
| 9 | 0100-001102 | 3/8"-16 GR2 - Nylock Lock Nut - ZINC | EACH |
| 10 | 0105-009210 | 3/8"-16 x 3" GR2 - Carriage Bolt - Full Thread - ZINC | EACH |
| 11 | 0105-009215 | 3/8"-16 x 1" GR5 - Carriage Bolt - Full Thread - ZINC | EACH |
| NA | 0145-910583 | Mounting Clip, AT, ATM, ATP,ATHD AT11-026-0205 | EA |
| NA | 0015-000041 | 50' Camera Wiring cable with receptacle | EA |
| NA | 0103-000012 | 3/16" x .675 x 1.20" Alumimum Pop Rivet- (Augers) | EACH |
| NA | 0145-300018 | 18-14 AWG Gel Filled Wire Tap -Pico | EACH |
| NA | 0145-300033 | Rubber Grommet 1/4" ID x 1/8" Groove Width x 3/8" Groove | ea. |
| NA | 0125-001002 | 7" x 50# - Nylon Cable Tie - Cold Weather - Black UV (ACT Only) | EACH |



| 0015-000111 - Std Conveyor Kit C/W 1 - FC Monitor and 1 Camera | | | |
|--|-------------|--|------|
| REF | PART # | DESCRIPTION | UOM |
| All | 0015-000111 | C - Std Conveyor Kit C/W - 1 FC Monitor and 1 Camera | EA |
| 1-5 | 0015-000021 | Universal Conveyor Mounting Kit | EA |
| 1 | 0015-000077 | Support Strap | EA |
| 2 | 0015-000076 | Universal Conveyor Mounting Bracket | EA |
| 3 | 0105-009003 | 1/4" x 1" NC GR5 - Carriage Bolt - Ylw Zinc | EACH |
| 4 | 0100-001100 | 1/4"-20 GR2 - Nylock Lock Nut - ZINC | EACH |
| 5 | 0101-001000 | 1/4" USS - Flat Washer - ZINC | EACH |
| NA | 0145-910583 | Mounting Clip, AT, ATM, ATP,ATHD AT11-026-0205 | EA |
| NA | 0015-000041 | 50' Camera Wiring cable with receptacle | EA |
| NA | 0103-000012 | 3/16" x .675 x 1.20" Alumimum Pop Rivet- (Augers) | EACH |
| NA | 0145-300018 | 18-14 AWG Gel Filled Wire Tap -Pico | EACH |
| NA | 0145-300033 | Rubber Grommet 1/4" ID x 1/8" Groove Width x 3/8" Groove | ea. |

